

BRACKET KIT INSTALLATION

SKU# RB-0303-BK



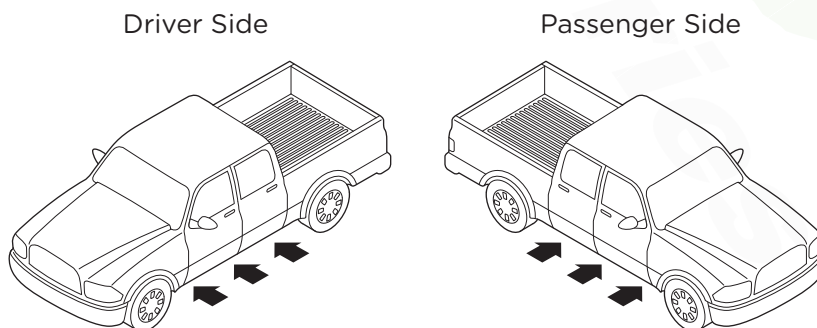
COMPONENTS		HARDWARE	
<p>DRIVER SIDE</p> <p>Qty: 1 Front Bracket</p> <p>Qty: 1 Center Bracket</p> <p>Qty: 1 Rear Bracket</p>	<p>PASSENGER SIDE</p> <p>Qty: 1 Front Bracket</p> <p>Qty: 1 Center Bracket</p> <p>Qty: 1 Rear Bracket</p>	<p>Qty: 24 M10 x 30MM Hex Head Bolts</p> <p>Qty: 36 M10 Flat Washers</p> <p>Qty: 24 M10 Lock Washers</p> <p>Qty: 12 M10 Hex Head Nuts</p> <p>Qty: 12 M10 U Nut Clips</p>	<p>Qty: 12 M8 Hex Head Nut</p> <p>Qty: 12 M8 Lock Washer</p> <p>Qty: 12 M8 Flat Washer</p>
TOOLS REQUIRED		INSTALLATION NOTES	
<p>RATCHET</p>	<p>TORQUE WRENCH</p>	<p>13MM and 16mm SOCKET</p>	<p>TORQUE NOTE: Bolts and nuts should be torqued to 15-20 ft lbs.</p> <p>NOTE: Hardware for Board Installation is included.</p> <p>NOTE: Some spare hardware is included.</p>

Remove all contents from the package and check brackets for any damage. Also, verify that all components and hardware listed above are included before you begin installation. If anything is missing or damaged please contact us at customerservice@raptorseries.com

Read through entire installation manual and installation drawings to ensure that you understand all of the components and hardware before proceeding with installation.

NOTE: When installing the brackets, all hardware must be left loose until all of the items are attached.

Locate factory hole locations in three (3) places per side on the body mount.

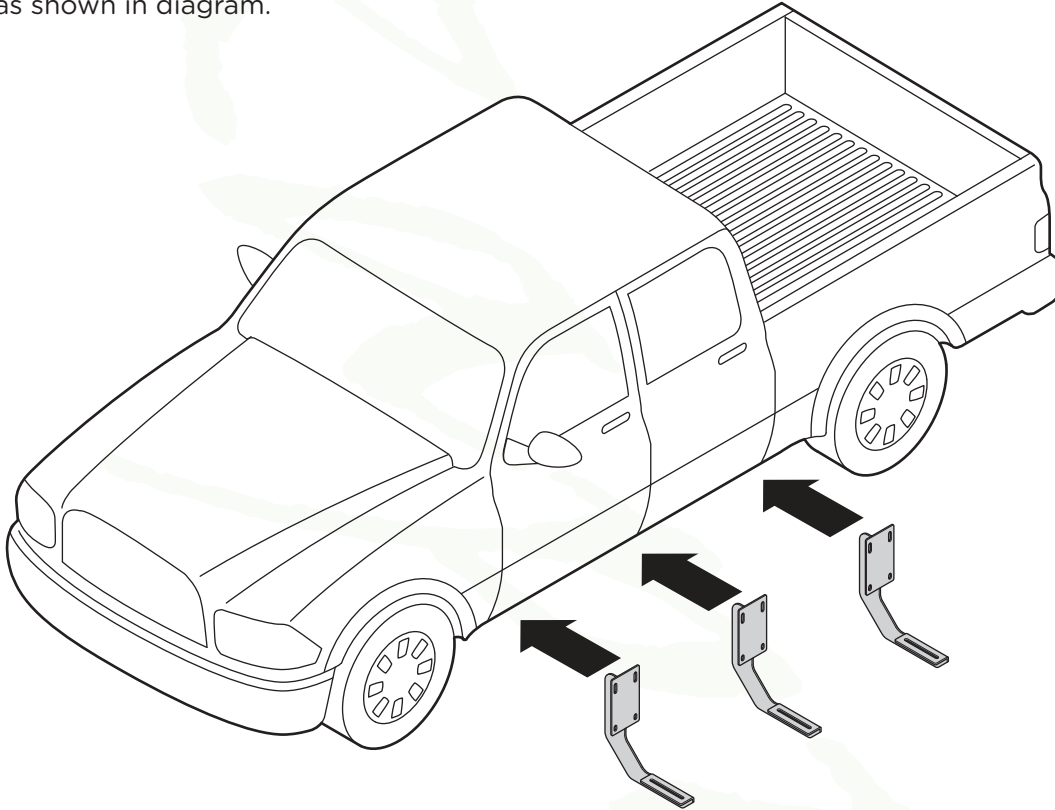


BRACKET ORIENTATION

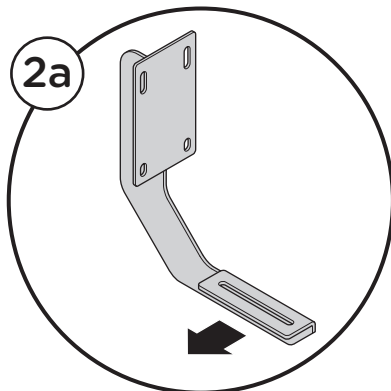
DRIVER SIDE

Raptor
Series

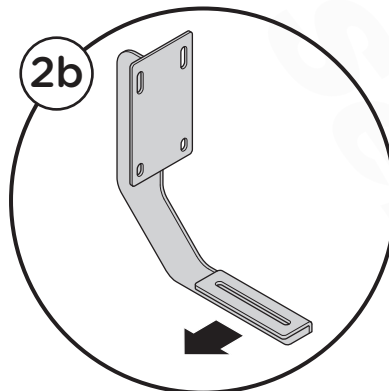
1. Begin installation on driver side. Position the Front Bracket, Center Bracket and Rear Bracket as shown in diagram.



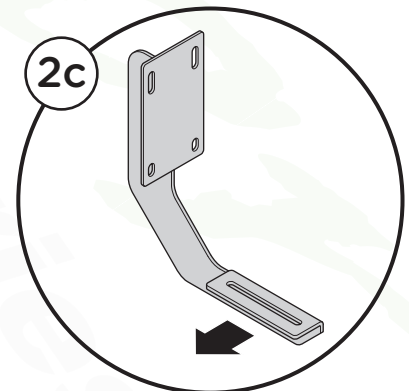
2. Driver Side Front Bracket cradle (2a), Driver Side Front Center cradle (2b) and Driver Side Rear Bracket cradle (2c) will face toward the front of the truck.



Driver Side
Front Bracket



Driver Side
Center Bracket



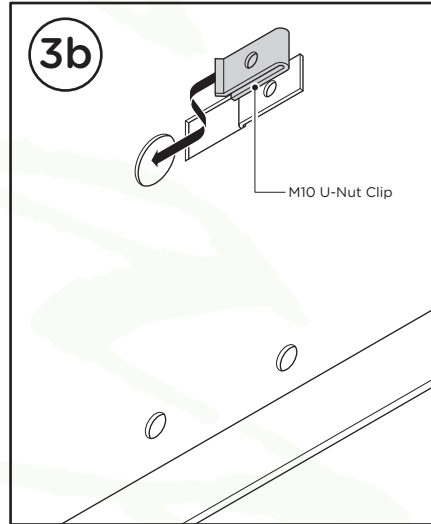
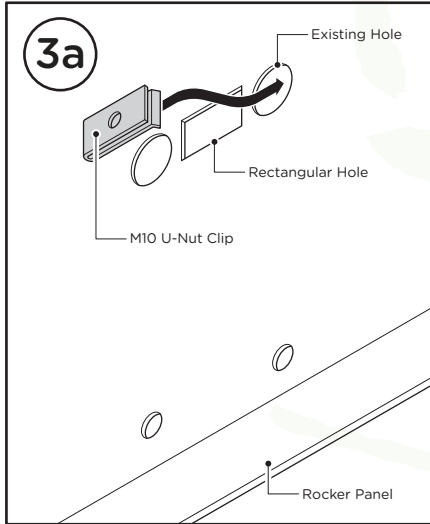
Driver Side
Rear Bracket

U-NUT/BRACKET INSTALLATION

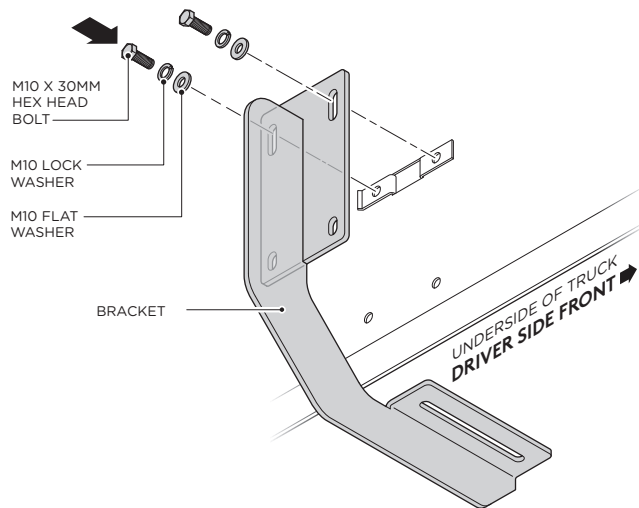
DRIVER SIDE

Raptor
Series

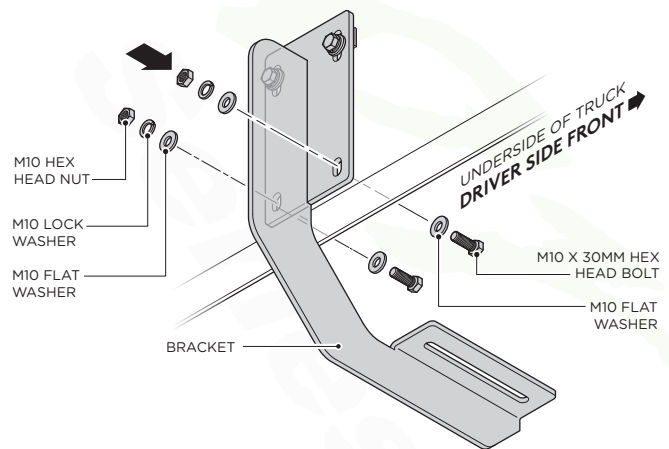
- 3.** Insert first M10 U-Nut Clip into rectangular hole in rocker panel, making sure the treads are on the inside of the rocker panel (3a). Insert second M10 U-Nut Clip into rectangular hole in rocker panel, making sure the treads are on the inside of the rocker panel (3b).



- 4.** Fasten the top portion of the Driver Side Front, Center and Rear Brackets by using (2) M8 x 30 MM Hex Head Bolts, (2) M8 Flat Washers and (2) M8 Lock Washers per bracket.



- 5.** Fasten the lower portion of the Driver Side Front, Center and Rear Brackets by using (2) M8 x 30 MM Hex Head Bolts, (4) M8 Flat Washers, (2) M8 Lock Washers and (2) Hex Head Nuts per bracket.

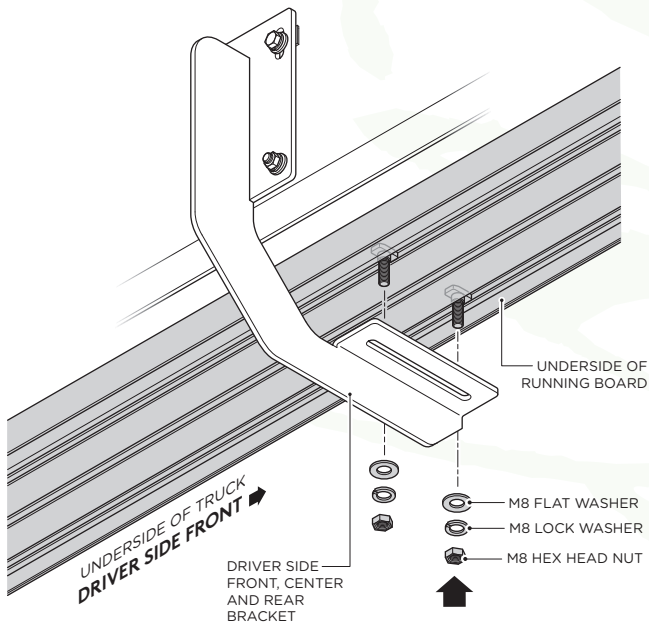


RUNNING BOARD INSTALLATION

DRIVER SIDE

Raptor
Series

6. Fasten the Running Board to the Driver Side Front, Center and Rear Bracket cradles by using (2) M8 Flat Washers, (2) M8 Lock Washers and (2) M8 Hex Head Nuts per bracket.

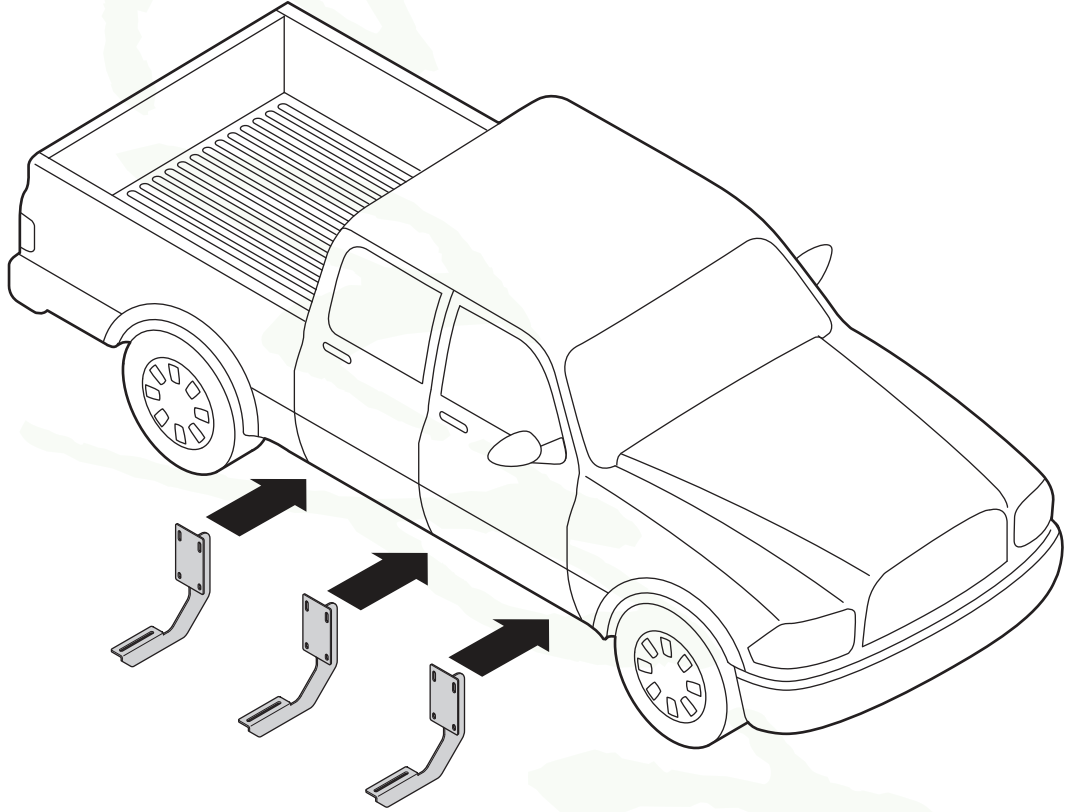


BRACKET ORIENTATION

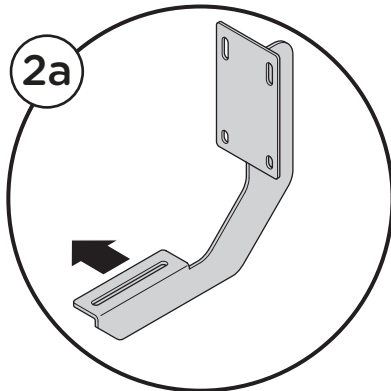
PASSENGER SIDE

Raptor
Series

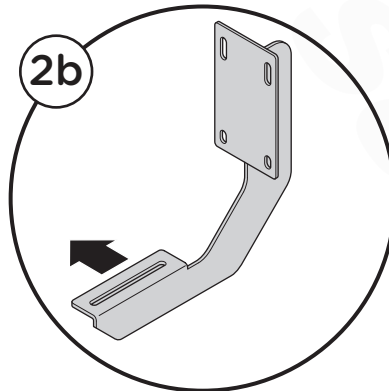
1. Begin installation on passenger side. Position the Front Bracket, Center Bracket and Rear Bracket as shown in diagram.



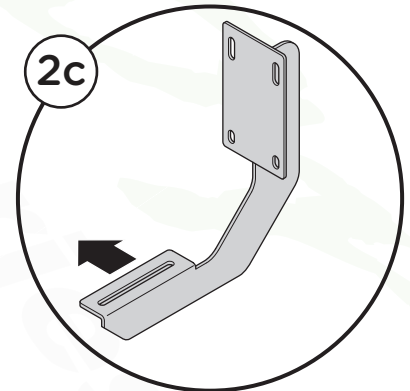
2. Passenger Side Front Bracket cradle (2a), Passenger Side Center Bracket cradle (2b), and Passenger Side Rear Bracket cradle (2c) will face toward the rear of the truck.



Passenger Side
Front Bracket



Passenger Side
Center Bracket



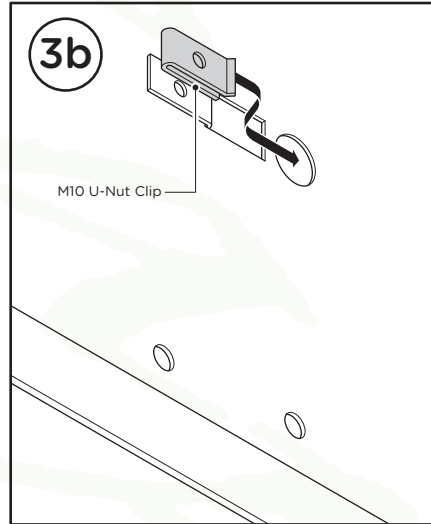
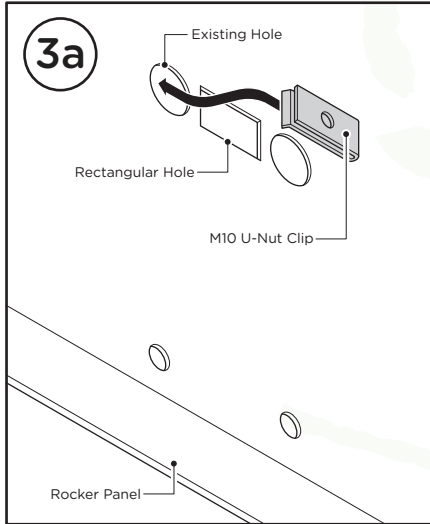
Passenger Side
Rear Bracket

U-NUT/BRACKET INSTALLATION

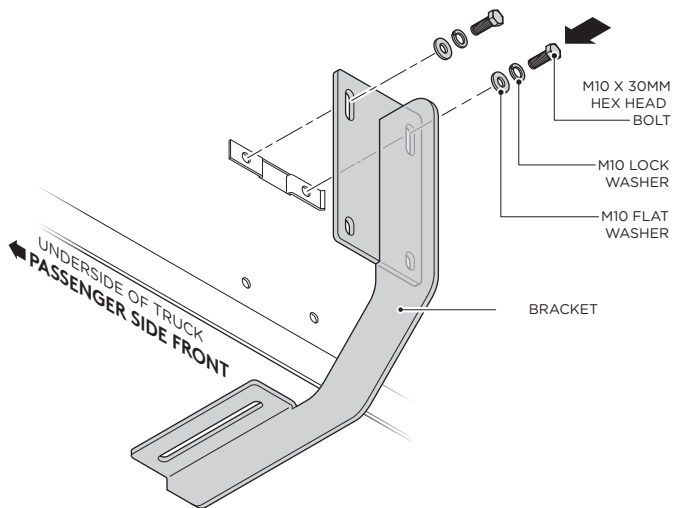
PASSENGER SIDE

Raptor
Series

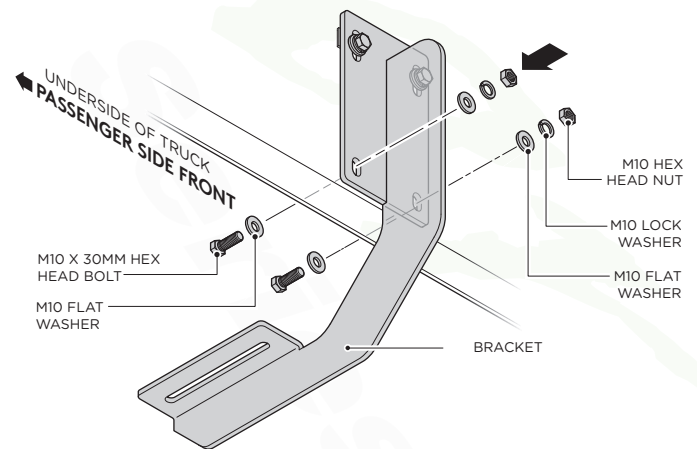
- 3.** Insert first M10 U-Nut Clip into rectangular hole in rocker panel, making sure the treads are on the inside of the rocker panel (3a). Insert second M10 U-Nut Clip into rectangular hole in rocker panel, making sure the treads are on the inside of the rocker panel (3b).



- 4.** Fasten the top portion of the Passenger Side Front, Center and Rear Brackets by using (2) M8 x 30 MM Hex Head Bolts, (2) M8 Flat Washers and (2) M8 Lock Washers per bracket.



- 5.** Fasten the lower portion of the Passenger Side Front, Center and Rear Brackets by using (2) M8 x 30 MM Hex Head Bolts, (4) M8 Flat Washers, (2) M8 Lock Washers and (2) Hex Head Nuts per bracket.



RUNNING BOARD INSTALLATION

PASSENGER SIDE

Raptor
Series

6. Fasten the Running Board to the Passenger Side Front, Center and Rear Bracket cradles by using (2) M8 Flat Washers, (2) M8 Lock Washers and (2) M8 Hex Head Nuts per bracket.

