



INSTALLATION INSTRUCTIONS

PRO TRAXX 4 & 5 OVAL TUBE STEP BARS

APPLICATION:

2005-2018 Toyota Tacoma D-Cab

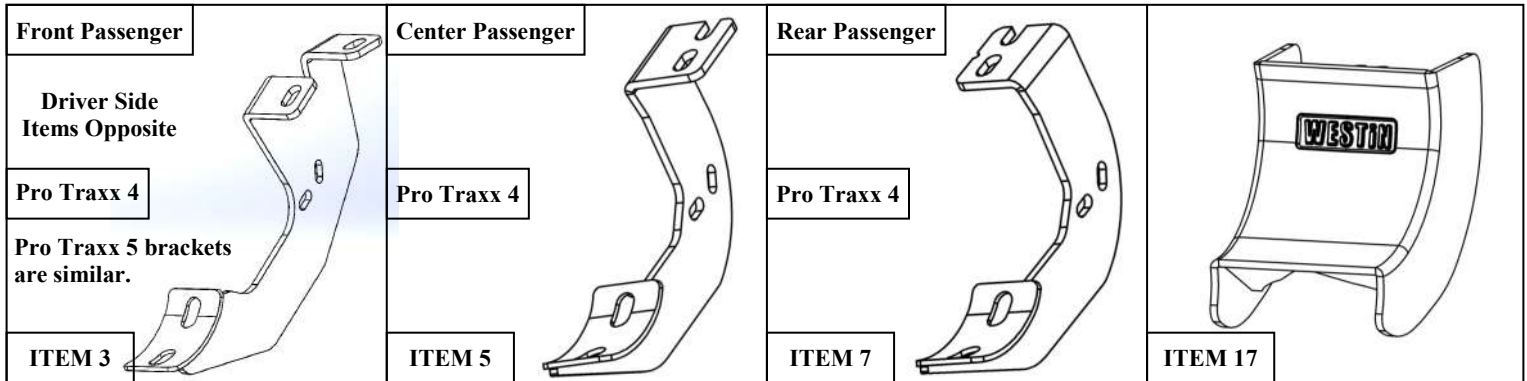
PART NUMBER:

21-22770, 21-22775, 21-52770, 21-52775

AUTOMOTIVE PRODUCTS, INC.

ITEM	QUANTITY	DESCRIPTION	TOOLS NEEDED
1	2	STEP BARS	13MM SOCKET
2,3	2	FRONT MOUNTING BRACKET, DRIVER (2) AND PASSENGER (3)	HEX KEY TOOL
4,5	2	CENTER MOUNTING BRACKET, DRIVER (4) AND PASSENGER (5)	FLAT BLADE SCREWDRIVER
6,7	2	REAR MOUNTING BRACKET, DRIVER (6) AND PASSENGER (7)	
8	12	M8 HEX HEAD CAP SCREWS (YELLOW ZINC)	RATCHET
9	12	M8 LOCK WASHERS (YELLOW ZINC)	TORQUE WRENCH
10	12	M8 FLAT WASHERS (YELLOW ZINC)	
11	12	M10 BUTTON HEAD CAP SCREWS (BLACK STAINLESS)	
12	12	M10 TOOTHED LOCK WASHERS (BLACK STAINLESS)	
13	12	M10 FLAT WASHERS (BLACK STAINLESS)	
14	12	M6 HEX HEAD CAP SCREW (YELLOW ZINC)	
15	24	M6 FLAT WASHERS (YELLOW ZINC)	
16	12	M6 NYLON LOCK NUTS (YELLOW ZINC)	
17	6	PLASTIC BRACKET COVER	

ANTI-SEIZE LUBRICANT MUST BE USED ON ALL STAINLESS STEEL FASTENERS TO PREVENT THREAD DAMAGE AND GALLING



PROCEDURE

1. Remove contents from box, verify if all parts listed are present and free from damage. Carefully read and understand all instructions before attempting installation.
Failure to identify damage before installation could lead to a rejection of any claim.
2. Starting at the driver side front rocker panel, locate the front mounting holes and remove the factory plastic plugs (**Figure 1**). Attach the front mounting bracket (Item 2) to the factory threaded holes using (2) M8 hex head cap screws (Item 8), (2) M8 lock washers (Item 9), and (2) M8 flat washers (Item 10) (**Figure 2**). *Do not fully tighten at this time.*
3. Follow the same steps to install the center and rear brackets (**Figure 3**).



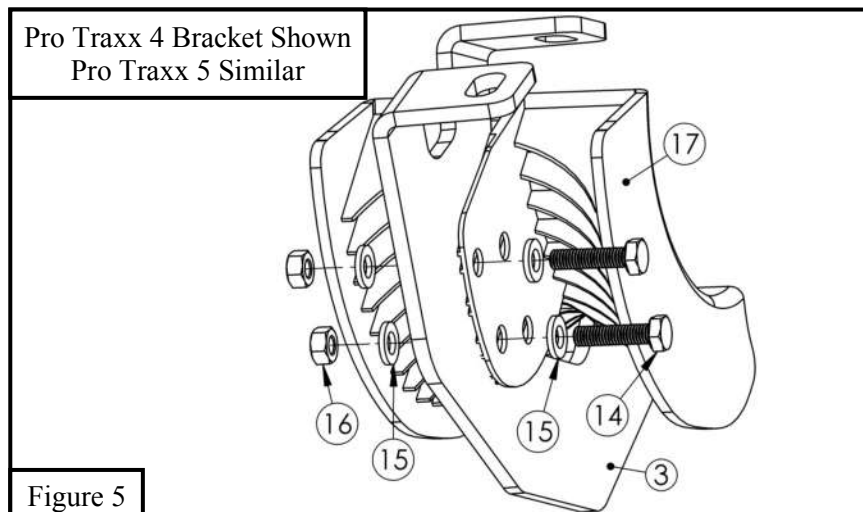
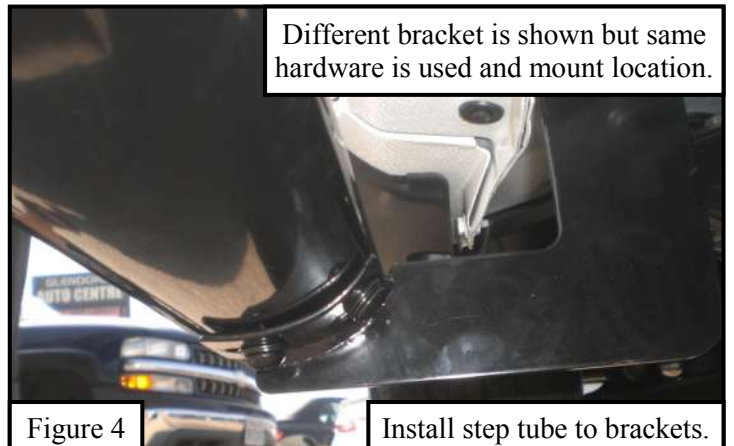
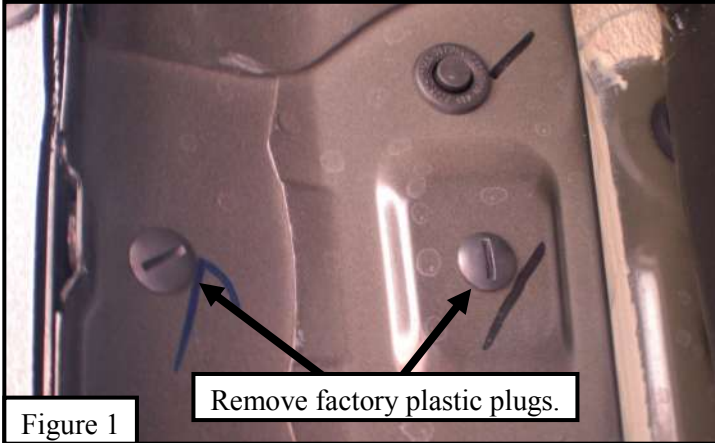
Westin Automotive Products, Inc.
320 W. Covina Blvd
San Dimas, Ca. 91773

Thank you for choosing Westin products
for additional installation assistance please call
Customer Service (800) 793-7846

www.westinautomotive.com

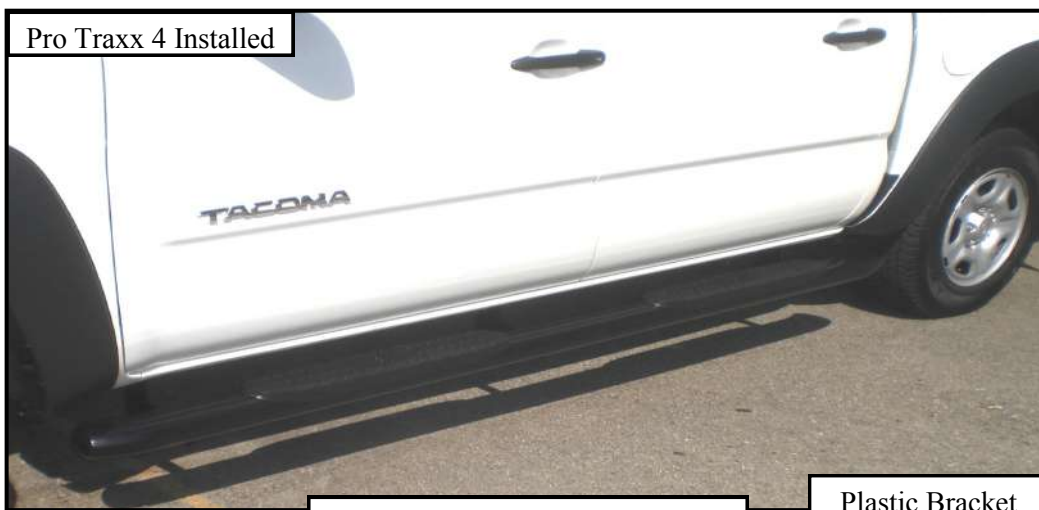
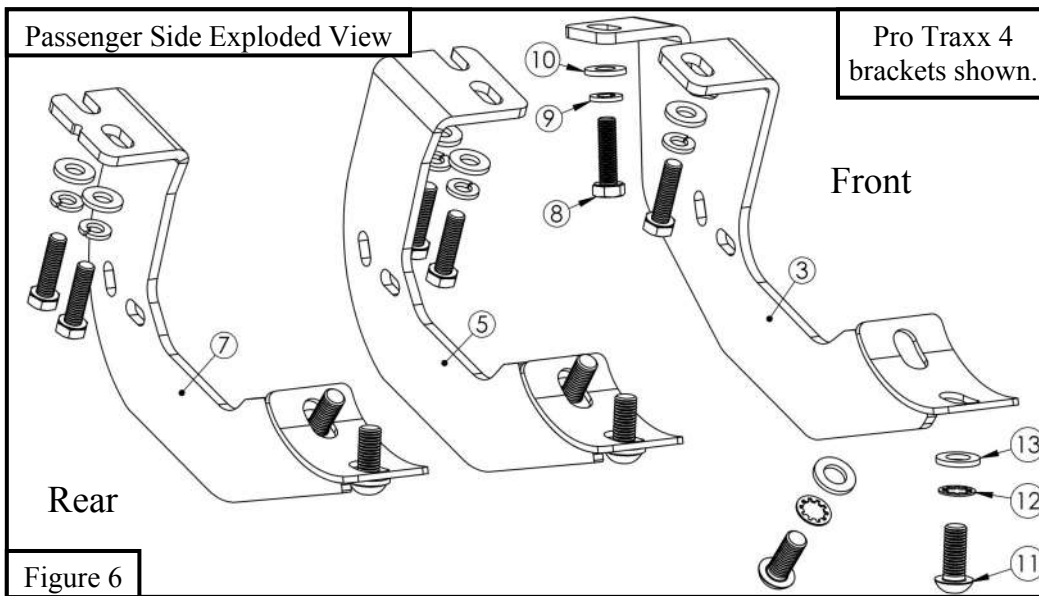
DATE: 1/9/2018

4. Take the drivers side step bar (Item 1) and place it on the mounting cradles and align the mounting holes. Attach using (6) M10 hex button head cap screws (Item 11), (6) M10 toothed lock washers (Item 12), and (6) M10 flat washers (Item 13) (**Figure 4**). **Note:** The drivers side step tube will be packaged in a clear poly tube and the passenger side will be packaged in a red poly tube, the Westin logo should face outward when installed.
5. Locate (1) plastic bracket cover (Item 17) and loosely secure it to the (6) brackets using the provided hardware: (2) M6 hex head cap screws, (4) M6 flat washers, and (2) M6 nylon nuts. Repeat for every bracket. (**Figure 5**.)
6. Align and adjust step bars as needed and tighten all hardware at this time. Torque all M8 fasteners to 15-18 ft-lbs, M10 fasteners to 30-35 ft-lbs and M6 to 5-7 ft-lbs.
7. Follow the same steps to install the passenger side mounting brackets and step bar.



Westin Automotive Products, Inc.
320 W. Covina Blvd
San Dimas, Ca. 91773

Thank you for choosing Westin products
for additional installation assistance please call
Customer Service (800) 793-7846



Care Instructions

- REGULAR WAXING IS RECOMMENDED. DO NOT USE ANY TYPE OF POLISH OR WAX THAT MAY CONTAIN ABRASIVES.
- STAINLESS STEEL PRODUCTS CAN BE CLEANED WITH MILD SOAP AND WATER. STAINLESS STEEL POLISH SHOULD BE USED TO POLISH SMALL SCRATCHES.
- GLOSS BLACK FINISHES SHOULD BE CLEANED WITH MILD SOAP AND WATER.



Westin Automotive Products, Inc.
320 W. Covina Blvd
San Dimas, Ca. 91773

Thank you for choosing Westin products
for additional installation assistance please call
Customer Service (800) 793-7846

www.westinautomotive.com

Westin

SIGNATURE OF QUALITY

AUTOMOTIVE PRODUCTS, INC.



WARNING



Failure to follow these instructions could lead to death, personal injury, and / or property damage.

FASTENERS:

All Westin supplied fasteners must be utilized and installed in accordance with the installation instructions and apply torque to the specifications as defined. **DOUBLE CHECK ALL FASTENERS BEFORE INITIAL USE, AND PERIODICALLY IN THE FUTURE TO ENSURE PROPER FUNCTION AND SAFETY.**

DRILLING:

Most Westin products do not require drilling for installation. If drilling is defined as required, use caution when drilling a vehicle. **FAILURE TO REVIEW AN AREA TO BE DRILLED MAY RESULT IN PERSONAL INJURY AND/OR INJURY TO OTHERS AS WELL AS VEHICLE DAMAGE.**

EYE PROTECTION:

ALWAYS WEAR SAFETY GLASSES OR GOGGLES DURING THE INSTALLATION PROCESS TO AVOID PERSONAL INJURY.

MAXIMUM TOWING/CARRYING CAPACITY:

The Westin Receiver Hitches will have a visible tow rating label affixed directly on the product. User should never exceed the vehicle manufacturers maximum tow and weight rating regardless of the capacity of the hitch. **FAILURE TO FOLLOW THESE GUIDELINES WILL VOID THE WESTIN WARRANTY AND MAY RESULT IN PERSONAL INJURY AND/OR INJURY TO OTHERS AS WELL AS VEHICLE DAMAGE.**

Westin
SIGNATURE OF QUALITY

Westin Automotive Products, Inc.
320 W. Covina Blvd
San Dimas, Ca. 91773