

INSTALLATION INSTRUCTIONS

PRO TRAXX 4 OVAL STEP BAR



APPLICATION:

Silverado/Sierra 1500 Regular Cab 2019-2020 ; 2500/3500

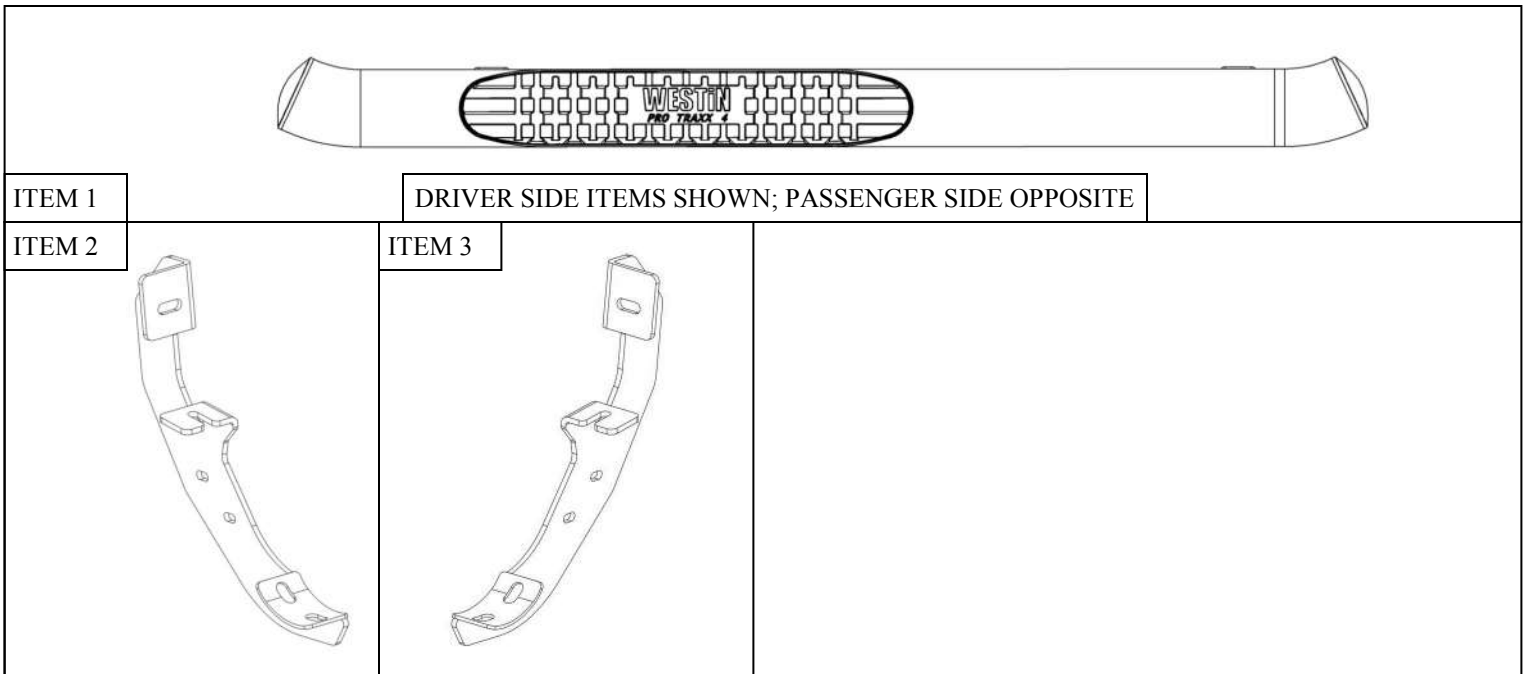
Regular Cab 2020

PART NUMBER:

21-24110, 21-24115

CONTENT			
ITEM	QUANTITY	DESCRIPTION	TOOLS NEEDED
1	2	STEP BAR ASSEMBLY (1 DRIVER, 1 PASSENGER)	13MM SOCKET
2	2	DRIVER MOUNTING BRACKET	13MM WRENCH
3	2	PASSENGER MOUNTING BRACKET	10MM SOCKET
4	4	BRACKET COVER	10MM WRENCH
5	8	M8 HEX HEAD BOLT (YELLOW ZINC)	RATCHET
6	8	M8 SPLIT LOCK WASHER (YELLOW ZINC)	TORQUE WRENCH
7	8	M8 FLAT WASHER (YELLOW ZINC)	
8	8	M10 BUTTON HEAD BOLT (BLACK ZINC)	
9	8	M10 TOOTHED LOCK WASHER (BLACK ZINC)	
10	8	M10 FLAT WASHER (BLACK ZINC)	
11	8	M6 HEX HEAD BOLT (YELLOW ZINC)	
12	16	M6 FLAT WASHER (YELLOW ZINC)	
13	8	M6 NYLOCK NUT (YELLOW ZINC)	

ANTI-SEIZE LUBRICANT MUST BE USED ON ALL STAINLESS STEEL FASTENERS TO PREVENT THREAD DAMAGE AND GALLING



PROCEDURE

1. Remove contents from box, verify if all parts listed are present and free from damage. Carefully read and understand all instructions before attempting installation.
Failure to identify damage before installation could lead to a rejection of any claim.

2. Starting on the driver side, remove the rubber plugs located on the rocker panel at each mounting location. See **Figure 1**.
3. **For models with threaded holes:** At each bracket mounting location on the rocker panel there should be a welded factory nut.



Figure 1

4. Locate (1) Mounting Bracket (Item 2) and loosely secure it to the rocker panel using the provided hardware: (2) M8 hex head bolt, (2) M8 flat washer, and (2) M8 lock washer. See **Figures 2-3**.
5. Repeat **Step 4** for all remaining bracket mounting locations.

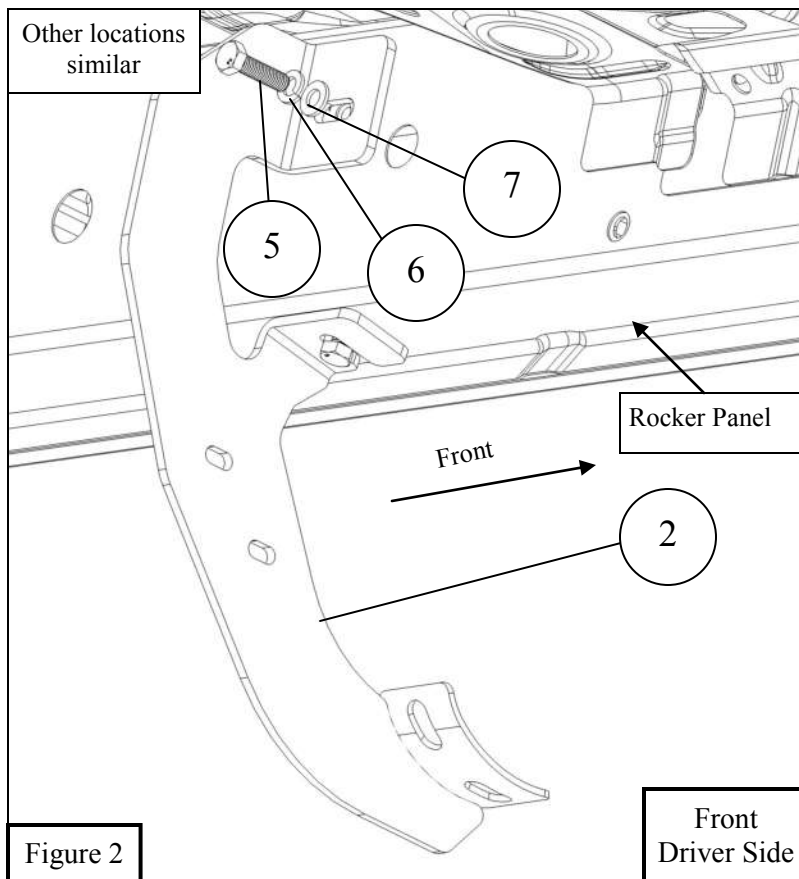
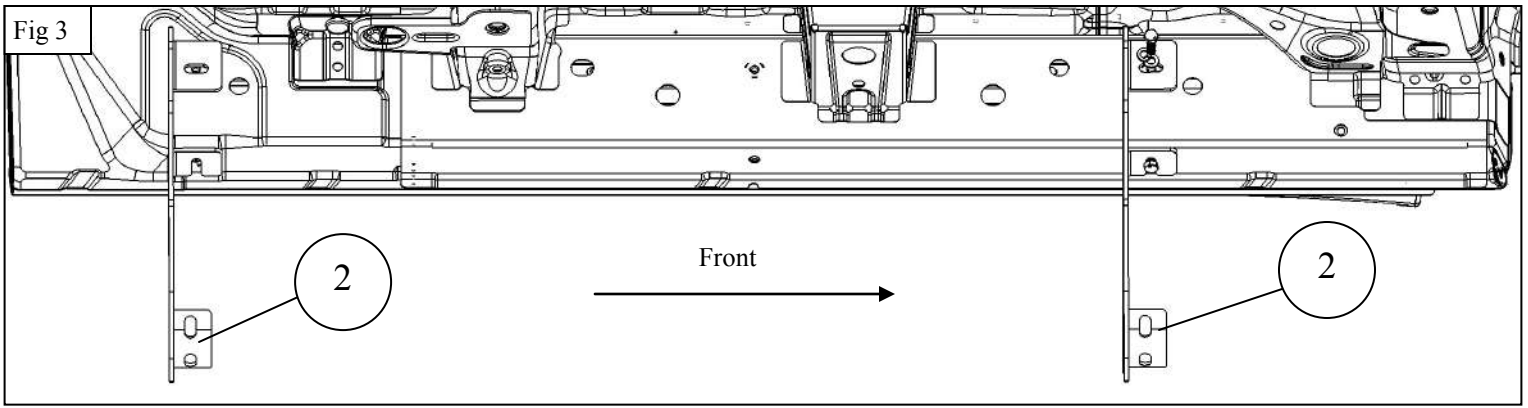
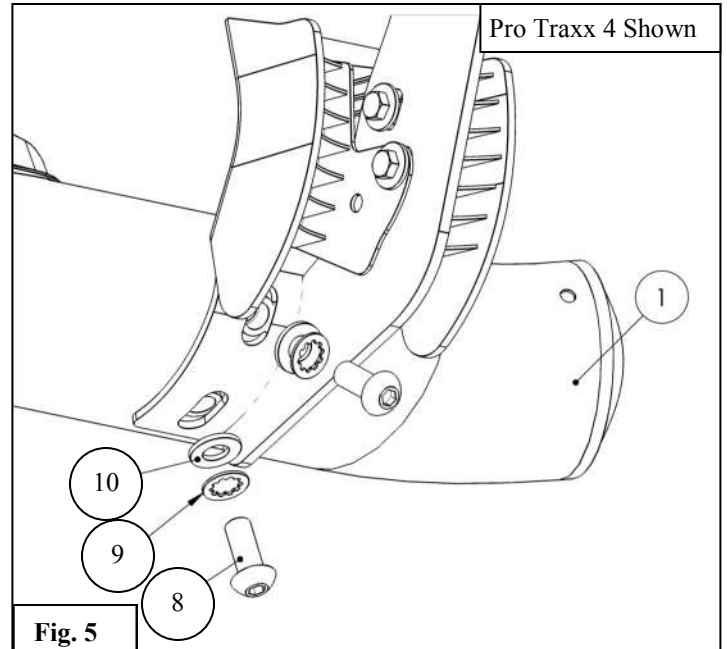
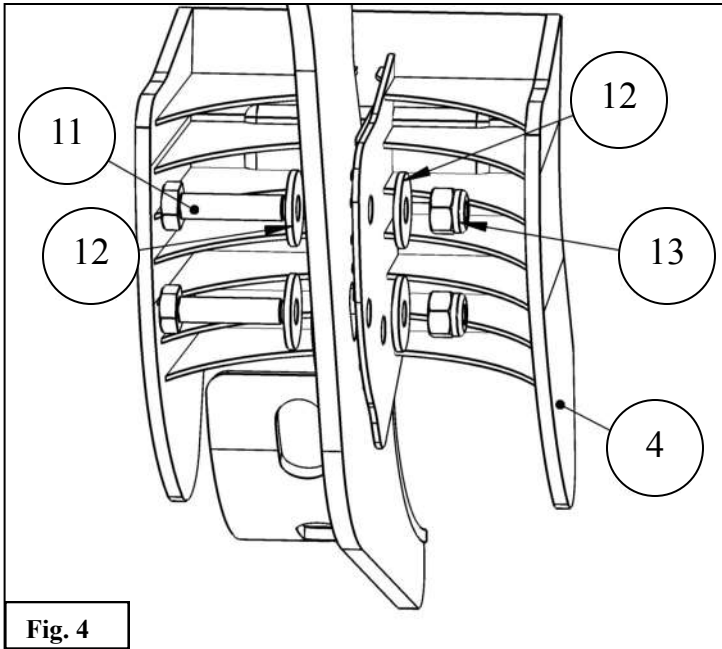


Figure 2



5. Use the supplied M6 Hardware to attach the Bracket Covers (4) to the Mounting Brackets (2-3). See **Figure 4**.
6. Use the supplied Black M10 Hardware to attach the Step Bars (1,2) to the Mounting Brackets (2-3). See **Figure 5**.
7. Tighten all hardware as specified: M6 to 7 ft-lbs, M8 to 15-18 ft-lbs, M10 to 38 ft-lbs.



INSTALLATION COMPLETE



CARE INSTRUCTIONS

- REGULAR WAXING IS RECOMMENDED. DO NOT USE ANY TYPE OF POLISH OR WAX THAT MAY CONTAIN ABRASIVES.
- STAINLESS STEEL PRODUCTS CAN BE CLEANED WITH MILD SOAP AND WATER. STAINLESS STEEL POLISH SHOULD BE USED TO POLISH SMALL SCRATCHES.
- GLOSS BLACK FINISHES SHOULD BE CLEANED WITH MILD SOAP AND WATER

WESTIN

Westin Automotive Products, Inc.
320 W. Covina Blvd
San Dimas, Ca. 91773

Thank you for choosing Westin products
for additional installation assistance please call
Customer Service (800) 793-7846

www.westinautomotive.com



WARNING



Failure to follow these instructions could lead to death, personal injury, and / or property damage.

Failure to follow these instructions could lead to death, personal injury, and / or property damage.

FASTENERS:

All Westin supplied fasteners must be utilized and installed in accordance with the installation instructions and apply torque to the specifications as defined. **DOUBLE CHECK ALL FASTENERS BEFORE INITIAL USE, AND PERIODICALLY IN THE FUTURE TO ENSURE PROPER FUNCTION AND SAFETY.**

DRILLING:

Most Westin products do not require drilling for installation. If drilling is defined as required, use caution when drilling a vehicle. **FAILURE TO REVIEW AN AREA TO BE DRILLED MAY RESULT IN PERSONAL INJURY AND/OR INJURY TO OTHERS AS WELL AS VEHICLE DAMAGE.**

EYE PROTECTION:

ALWAYS WEAR SAFETY GLASSES OR GOGGLES DURING THE INSTALLATION PROCESS TO AVOID PERSONAL INJURY.

MAXIMUM TOWING/CARRYING CAPACITY: (if applicable)

The Westin Receiver Hitches will have a visible tow rating label affixed directly on the product. User should never exceed the vehicle manufacturers maximum tow and weight rating regardless of the capacity of the hitch. **FAILURE TO FOLLOW THESE GUIDELINES WILL VOID THE WESTIN WARRANTY AND MAY RESULT IN PERSONAL INJURY AND/OR INJURY TO OTHERS AS WELL AS VEHICLE DAMAGE.**

FOR CALIFORNIA RESIDENTS ONLY-PROP 65 WARNING:

Some products may contain chemicals such as DEHP, which can cause cancer, birth defects or other reproductive harm. For more info go to www.p65warnings.ca.gov



Westin Automotive Products, Inc.
320 W. Covina Blvd
San Dimas, Ca. 91773