

INSTALLATION INSTRUCTIONS

**GASOLINE TRUCKS ONLY
PRO TRAXX 4 OVAL TUBE STEP BAR**

APPLICATION:

2014-2017 Chevrolet Silverado/GMC Sierra 1500 Double/Crew Cab
2015-2017 Chevrolet Silverado/GMC Sierra 2500/3500 Double/Crew Cab

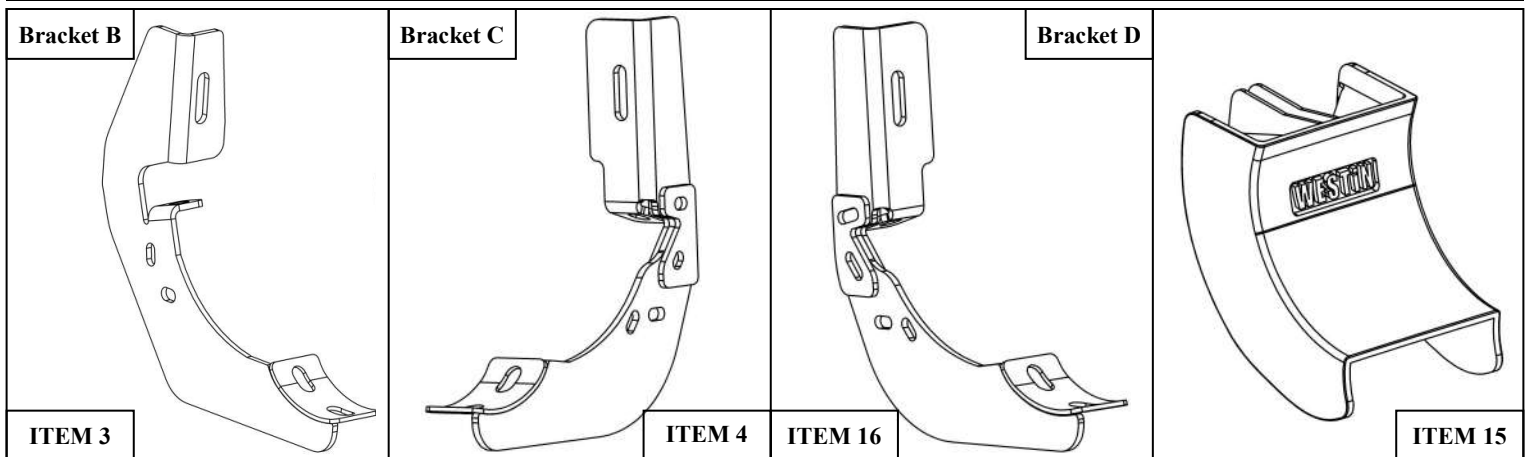
PART NUMBER:

21-23710, 21-23715, 21-23720, 21-23725,
21-23850, 21-23855, 21-23860, 21-23865



ITEM	QUANTITY	DESCRIPTION	TOOLS NEEDED
1,2	2	STEP BAR, DRIVER (1) AND PASSENGER (2)	13MM SOCKET
3	4	MOUNT BRACKET B	13MM WRENCH
4	1	MOUNT BRACKET C	HEX KEY TOOL
5	12	M8 HEX HEAD CAP SCREW (YELLOW ZINC)	RATCHET
6	12	M8 FLAT WASHER (YELLOW ZINC)	TORQUE WRENCH
7	12	M8 SPRING LOCK WASHER (YELLOW ZINC)	
8	12	M8 EXTRUDED U-NUT (YELLOW ZINC)	
9	12	M10 BUTTON HEAD SOCKET CAP SCREW (BLACK ZINC)	
10	12	M10 FLAT WASHER (BLACK ZINC)	
11	12	M10 INTERNAL TOOTHED LOCK WASHER (BLACK ZINC)	
12	12	M6 HEX HEAD CAP SCREW (YELLOW ZINC)	
13	24	M6 FLAT WASHER (YELLOW ZINC)	
14	12	M6 NYLON NUT (YELLOW ZINC)	
15	6	BRACKET PLASTIC COVER	
16	1	MOUNTING BRACKET D	

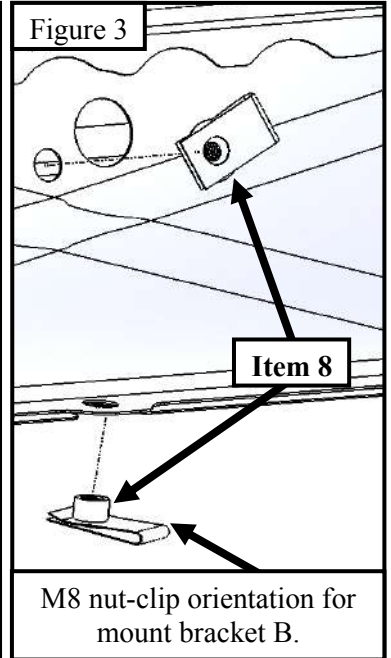
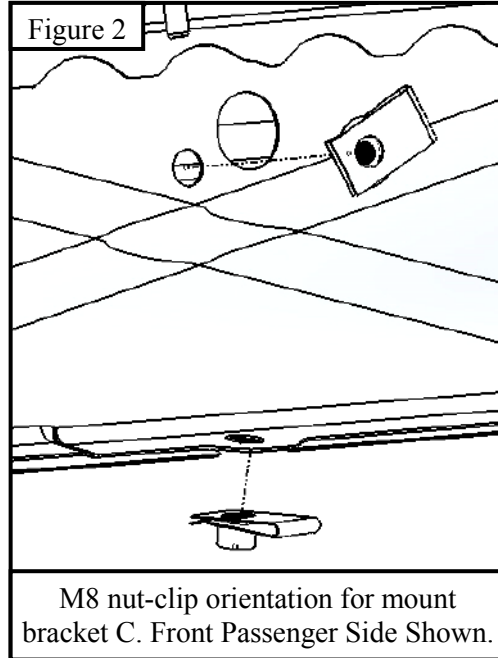
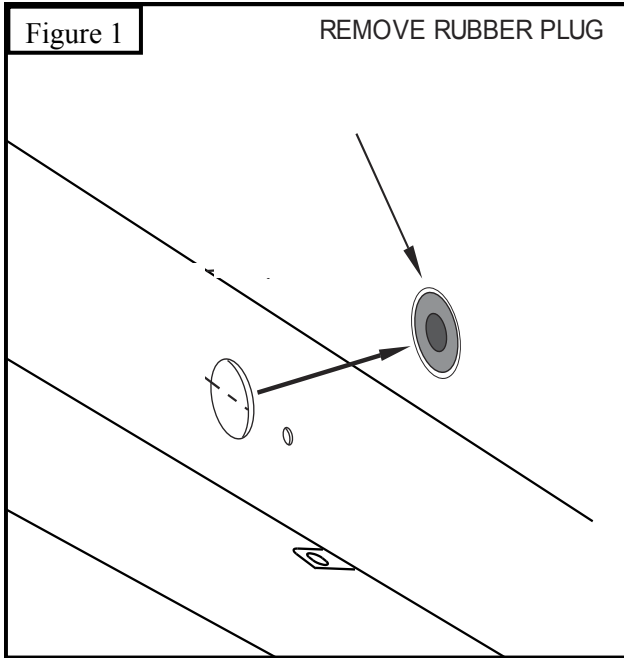
ANTI-SEIZE LUBRICANT MUST BE USED ON ALL STAINLESS STEEL FASTENERS TO PREVENT THREAD DAMAGE AND GALLING



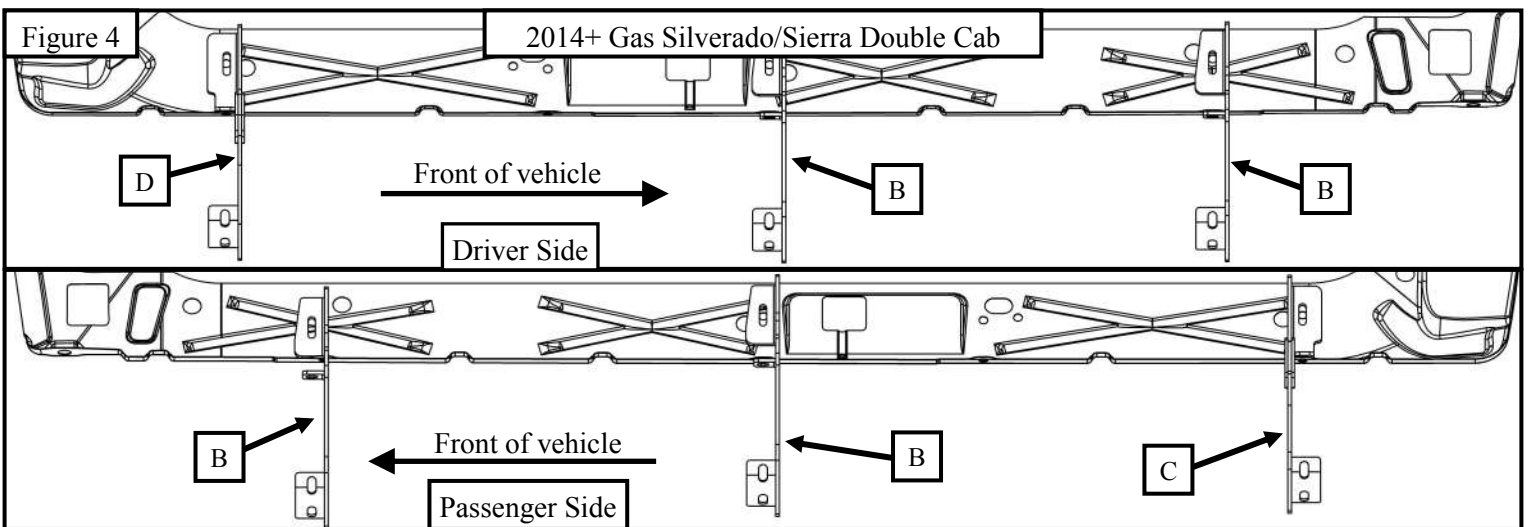
PROCEDURE

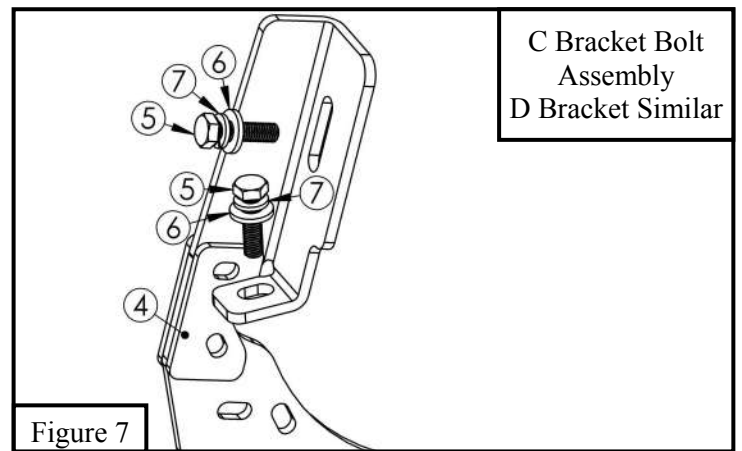
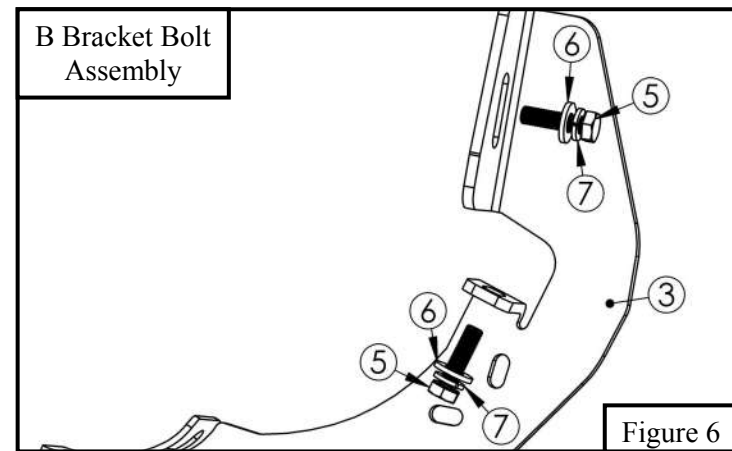
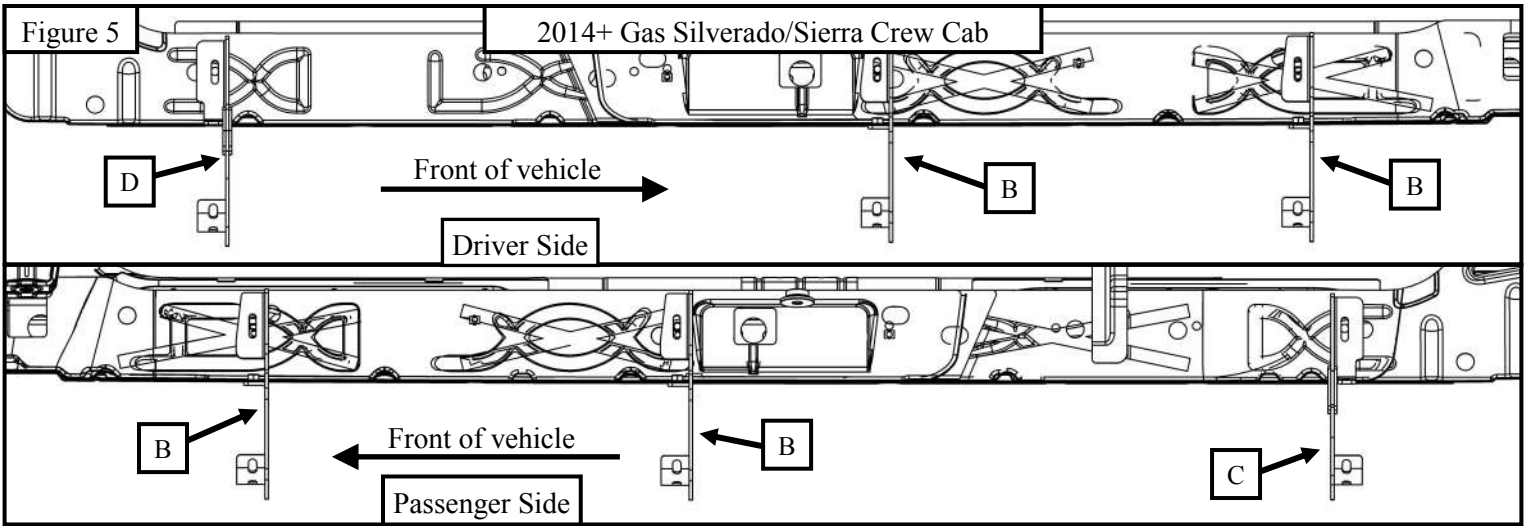
1. Remove contents from box, verify if all parts listed are present and free from damage.
Carefully read and understand all instructions before attempting installation.
Failure to identify damage before installation could lead to a rejection of any claim.

2. Locate on each rocker panel the black rubber plugs and remove them. See **Figure 1**. Install the M8 nut clips (Item 8) as shown in **Figure 3**. For the bracket C (Item 4) mount location, install lower M8 clip (Item 8) as shown in **Figure 2**.
Note: On crew cab models, the front two mount locations will have pre-existing threads and will not require the upper M8 nut clips (Item 8) See **Figure 5**.



3. Take the mounting brackets and install the bracket and associated hardware loosely to its corresponding positions. For gas model bracket locations see **Figures 4 and 5**. For hardware assembly see **Figures 6 and 7**. *Do not fully tighten hardware at this time.* **Note:** On 1500 crew cab models, front positions will have a welded nut on pinch weld and must refer to **Figure 5** for bracket installation. **Note:** Bracket location is critical.





4. Locate (1) plastic bracket cover (Item 15) and loosely secure it to the brackets using the provided hardware: (2) M6 hex head cap screws, (4) M6 flat washers, and (2) M6 nylon nuts. Repeat for every bracket. See **Figure 8**.
5. Take the passenger side step bar (Item 2) and place the step bar onto the mounting bracket cradles as shown in **Figure 10** (double cab models) and **Figure 11** (crew cab models). Secure the passenger side step bar using the M10 hardware (Item 9,10,11) as shown in **Figure 9**. Follow same steps to install the driver side step bar.
Note: The drivers side step bar will be packaged in a clear poly tube and the passenger side will be packaged in a red poly tube, the Westin logo should face outward when installed.
6. Make sure the mounting brackets and step bar are aligned then proceed to fully tighten all hardware. Recommended torque values are 15-18 ft-lbs for M8 fasteners, 30-35 ft-lbs for M10 fasteners, and 5-7 ft-lbs for M6 fasteners.

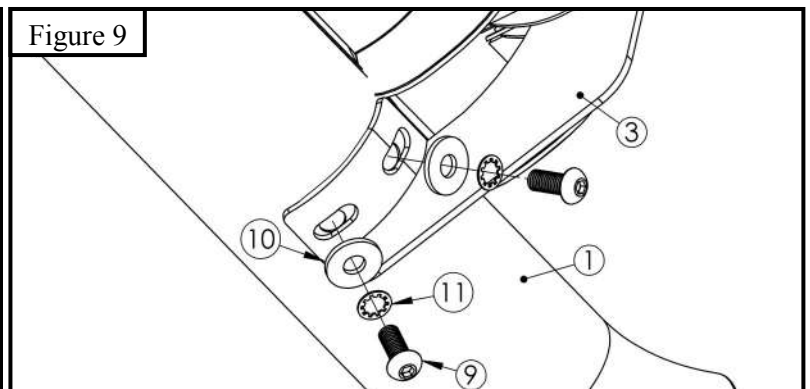
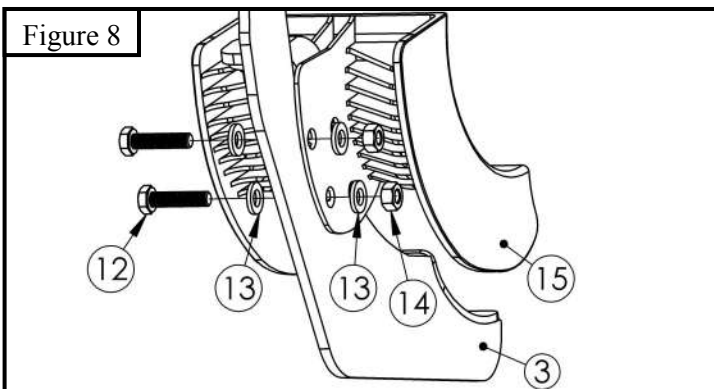
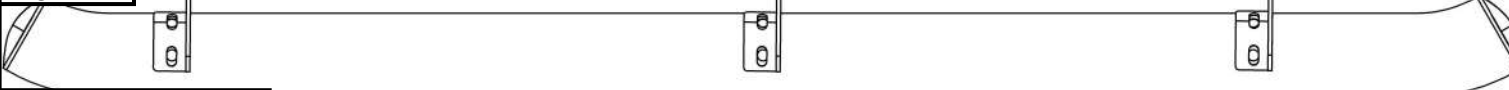


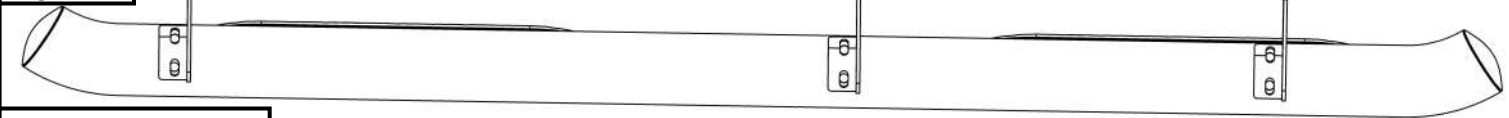
Figure 10



Align the slots on the mounting bracket cradle and step bar.

Front of vehicle →

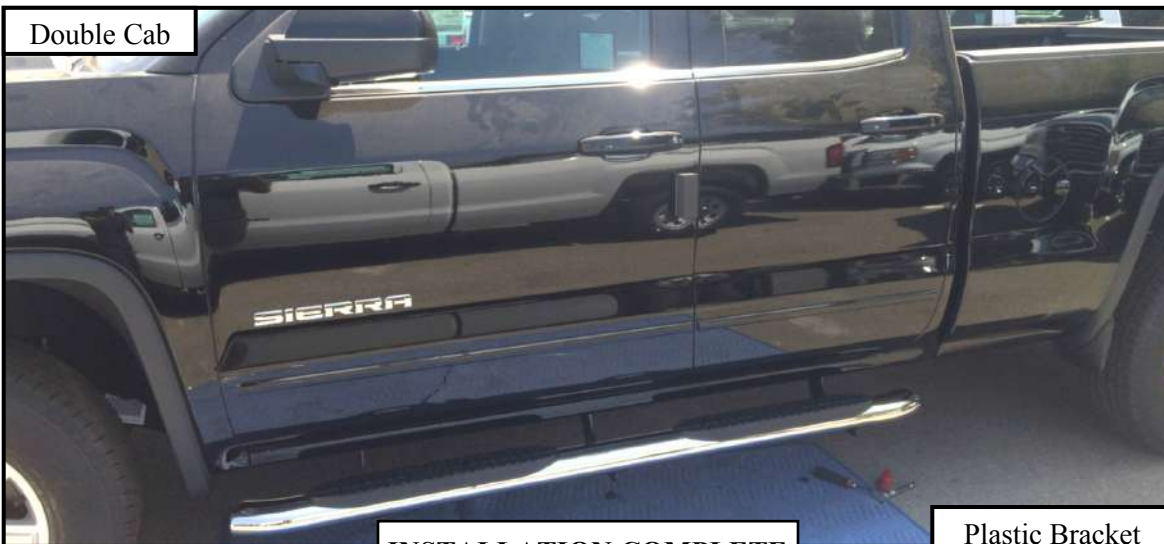
Figure 11



Align the slots on the mounting bracket cradle and step bar.

Front of vehicle →

Double Cab



INSTALLATION COMPLETE

Plastic Bracket Covers not shown.

Crew Cab



Care Instructions

- REGULAR WAXING IS RECOMMENDED. DO NOT USE ANY TYPE OF POLISH OR WAX THAT MAY CONTAIN ABRASIVES.
- STAINLESS STEEL PRODUCTS CAN BE CLEANED WITH MILD SOAP AND WATER. STAINLESS STEEL POLISH SHOULD BE USED TO POLISH SMALL SCRATCHES.
- GLOSS BLACK FINISHES SHOULD BE CLEANED WITH MILD SOAP AND WATER.



WARNING



Failure to follow these instructions could lead to death, personal injury, and / or property damage.

FASTENERS:

All Westin supplied fasteners must be utilized and installed in accordance with the installation instructions and apply torque to the specifications as defined. **DOUBLE CHECK ALL FASTENERS BEFORE INITIAL USE, AND PERIODICALLY IN THE FUTURE TO ENSURE PROPER FUNCTION AND SAFETY.**

DRILLING:

Most Westin products do not require drilling for installation. If drilling is defined as required, use caution when drilling a vehicle. **FAILURE TO REVIEW AN AREA TO BE DRILLED MAY RESULT IN PERSONAL INJURY AND/OR INJURY TO OTHERS AS WELL AS VEHICLE DAMAGE.**

EYE PROTECTION:

ALWAYS WEAR SAFETY GLASSES OR GOGGLES DURING THE INSTALLATION PROCESS TO AVOID PERSONAL INJURY.

MAXIMUM TOWING/CARRYING CAPACITY:

The Westin Receiver Hitches will have a visible tow rating label affixed directly on the product. User should never exceed the vehicle manufacturers maximum tow and weight rating regardless of the capacity of the hitch. **FAILURE TO FOLLOW THESE GUIDELINES WILL VOID THE WESTIN WARRANTY AND MAY RESULT IN PERSONAL INJURY AND/OR INJURY TO OTHERS AS WELL AS VEHICLE DAMAGE.**