

INSTALLATION INSTRUCTIONS



HDX Drop Step

APPLICATION:

2010-2020 Toyota 4Runner SR5/ TRD/ TRD Pro (Excl. Limited & Nightshade)

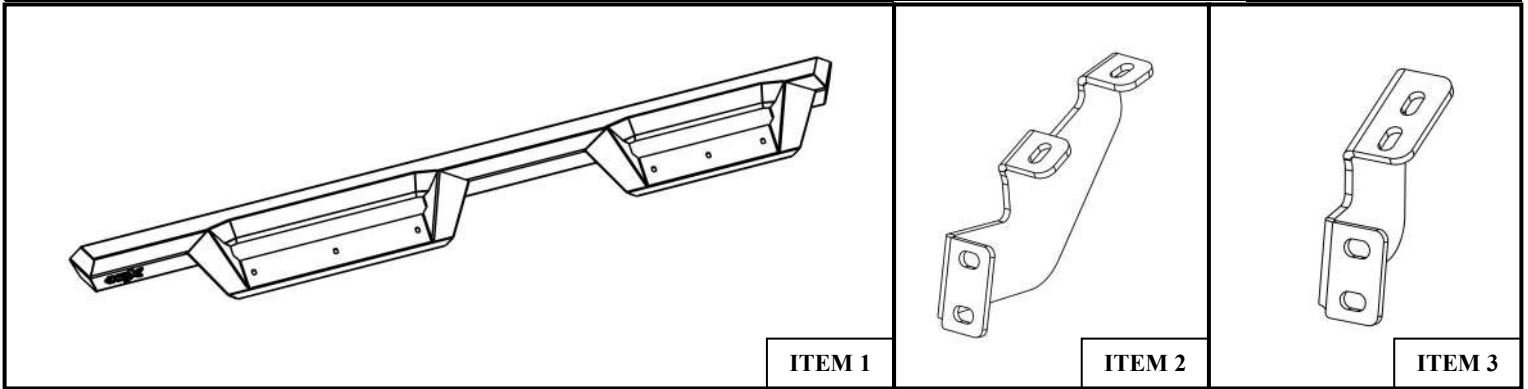
2010-2017 Toyota 4Runner Trail Edition (Excl. Limited)

PART NUMBER:

56-13835, 56-138352

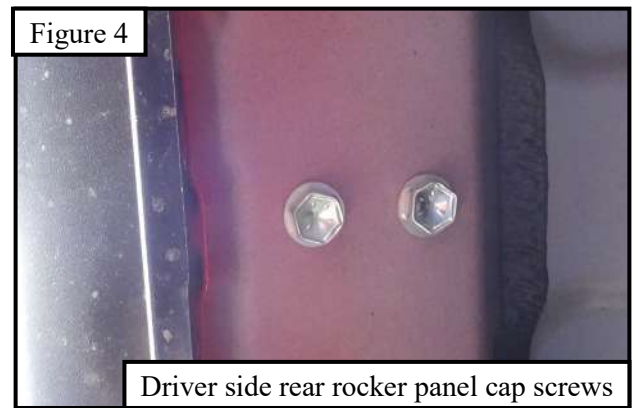
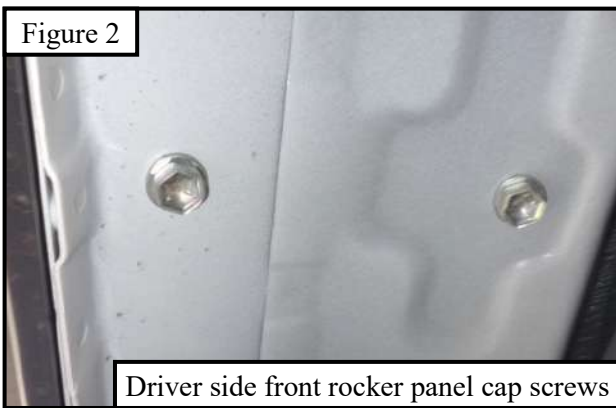
ITEM	QUANTITY	DESCRIPTION	TOOLS NEEDED
1	2	STEP BARS	12MM SOCKET
2	2	FRONT MOUNT BRACKET	13MM SOCKET
3	4	REAR / CENTER MOUNT BRACKET	HEX KEY TOOL
4	20	M8 LONG HEX HEAD CAP SCREWS (YELLOW ZINC)	RATCHET
5	24	M8 FLAT WASHERS (YELLOW ZINC)	TORQUE WRENCH
6	24	M8 LOCK WASHERS (YELLOW ZINC)	
7	4	M8 SHORT HEX HEAD CAP SCREWS (YELLOW ZINC)	

ANTI-SEIZE LUBRICANT MUST BE USED ON ALL STAINLESS STEEL FASTENERS TO PREVENT THREAD DAMAGE AND GALLING

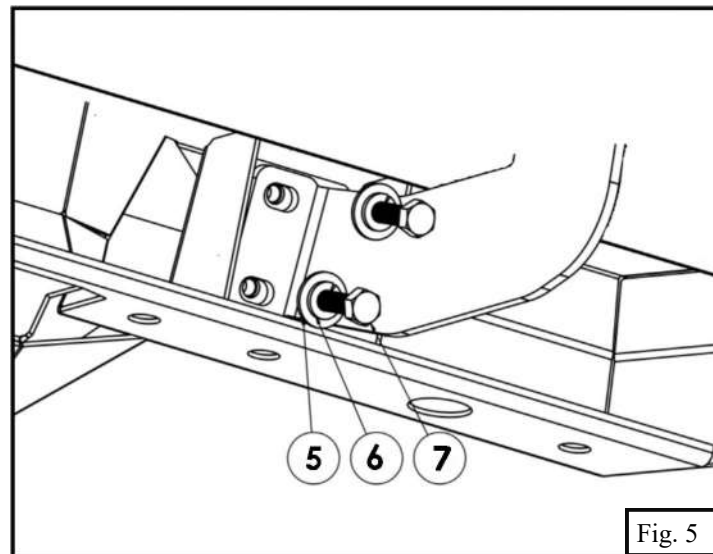
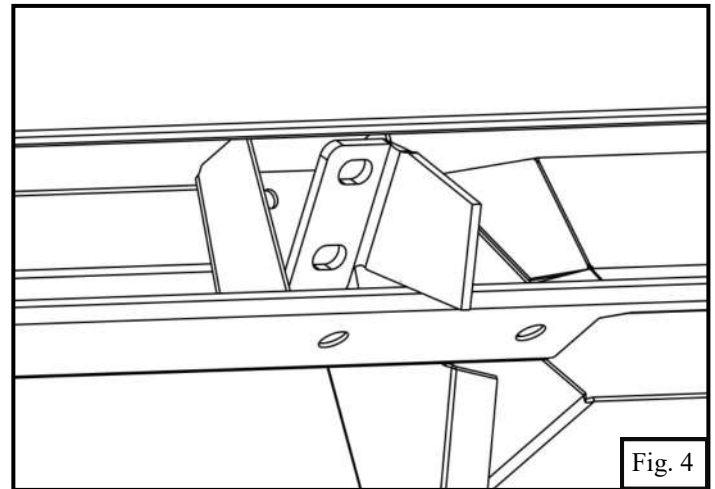
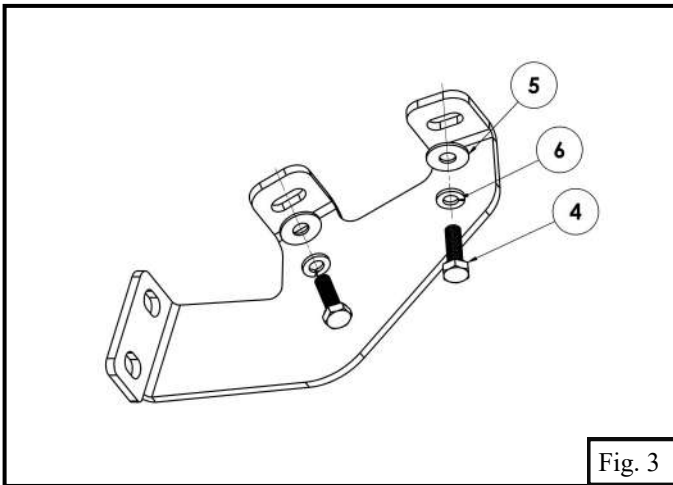


PROCEDURE

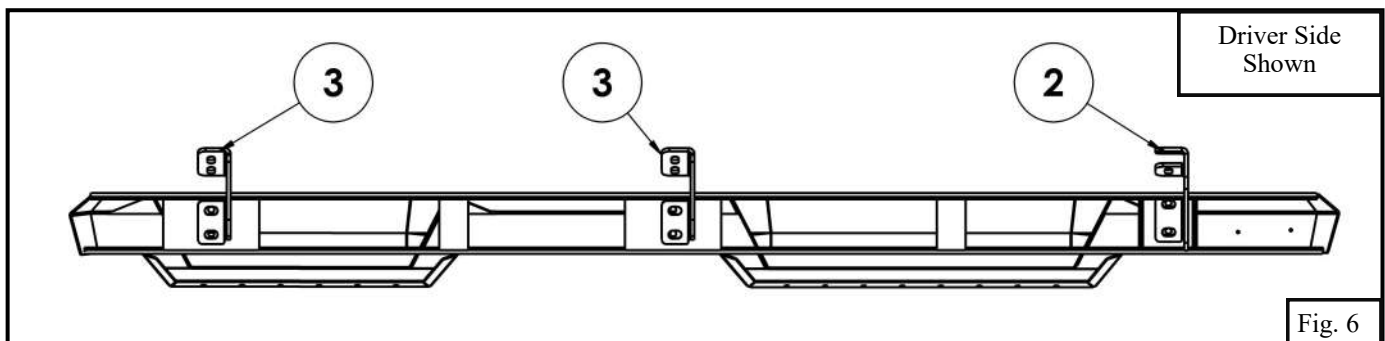
- Remove contents from box, verify if all parts listed are present and free from damage. Carefully read and understand all instructions before attempting installation.
Failure to identify damage before installation could lead to a rejection of any claim.
- Starting at the driver side front use 12mm socket to remove the two rocker panel bracket hex cap screws. Repeat same process for center and rear brackets. See **Figures 1 & 2**

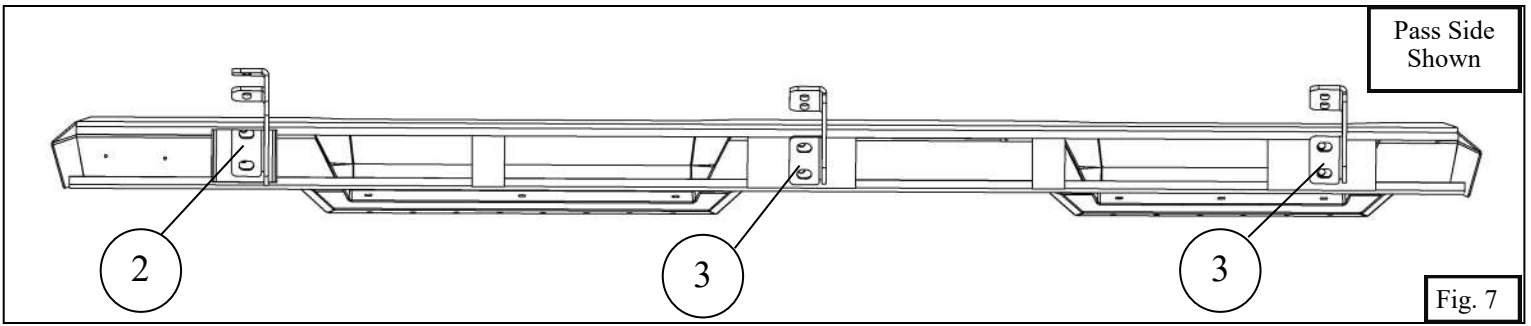


3. Locate Front Mount Bracket (Item 2) and loosely install using supplied M8 hardware. Repeat for all other mount locations. See **Figure 3**
4. Before installing board to the previously installed brackets tilt backwards for easy entry into mount location. See **Figure 4**



5. Loosely install board to previously mounted brackets with supplied M8 hardware. See Figures 5 (Note: See **Figures 6 & 7** for bracket orientation).
6. Align and adjust to preferred fitment then torque all M8 hardware to 16 ft-lbs.





Care Instructions

- REGULAR WAXING IS RECOMMENDED. DO NOT USE ANY TYPE OF POLISH OR WAX THAT MAY CONTAIN ABRASIVES.
- STAINLESS STEEL PRODUCTS CAN BE CLEANED WITH MILD SOAP AND WATER. STAINLESS STEEL POLISH SHOULD BE USED TO POLISH SMALL SCRATCHES.
- GLOSS BLACK FINISHES SHOULD BE CLEANED WITH MILD SOAP AND WATER.

WESTIN Westin Automotive Products, Inc.
 320 W. Covina Blvd
 San Dimas, Ca. 91773

Thank you for choosing Westin products
 for additional installation assistance please call
 Customer Service (800) 793-7846



WARNING



Failure to follow these instructions could lead to death, personal injury, and / or property damage.

Failure to follow these instructions could lead to death, personal injury, and / or property damage.

FASTENERS:

All Westin supplied fasteners must be utilized and installed in accordance with the installation instructions and apply torque to the specifications as defined. **DOUBLE CHECK ALL FASTENERS BEFORE INITIAL USE, AND PERIODICALLY IN THE FUTURE TO ENSURE PROPER FUNCTION AND SAFETY.**

DRILLING:

Most Westin products do not require drilling for installation. If drilling is defined as required, use caution when drilling a vehicle. **FAILURE TO REVIEW AN AREA TO BE DRILLED MAY RESULT IN PERSONAL INJURY AND/OR INJURY TO OTHERS AS WELL AS VEHICLE DAMAGE.**

EYE PROTECTION:

ALWAYS WEAR SAFETY GLASSES OR GOGGLES DURING THE INSTALLATION PROCESS TO AVOID PERSONAL INJURY.

MAXIMUM TOWING/CARRYING CAPACITY: (if applicable)

The Westin Receiver Hitches will have a visible tow rating label affixed directly on the product. User should never exceed the vehicle manufacturers maximum tow and weight rating regardless of the capacity of the hitch. **FAILURE TO FOLLOW THESE GUIDELINES WILL VOID THE WESTIN WARRANTY AND MAY RESULT IN PERSONAL INJURY AND/OR INJURY TO OTHERS AS WELL AS VEHICLE DAMAGE.**

FOR CALIFORNIA RESIDENTS ONLY-PROP 65 WARNING:

Some products may contain chemicals such as DEHP, which can cause cancer, birth defects or other reproductive harm. For more info go to www.p65warnings.ca.gov



Westin Automotive Products, Inc.
320 W. Covina Blvd
San Dimas, Ca. 91773