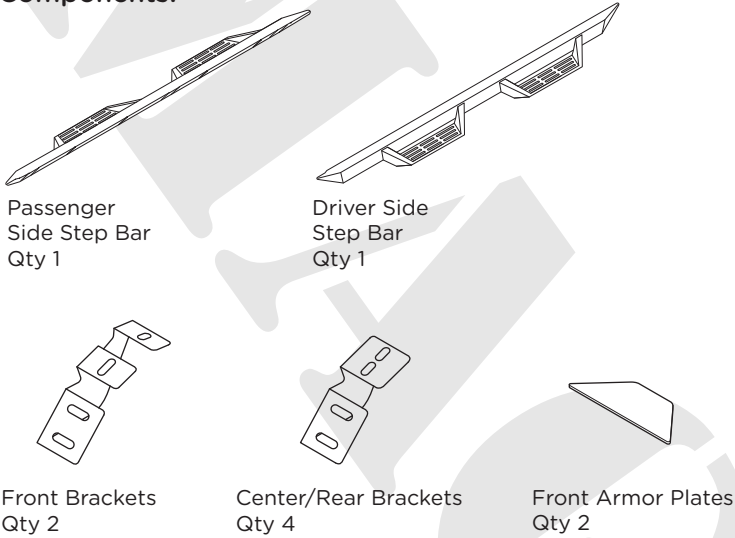


SKU: GTS81TY

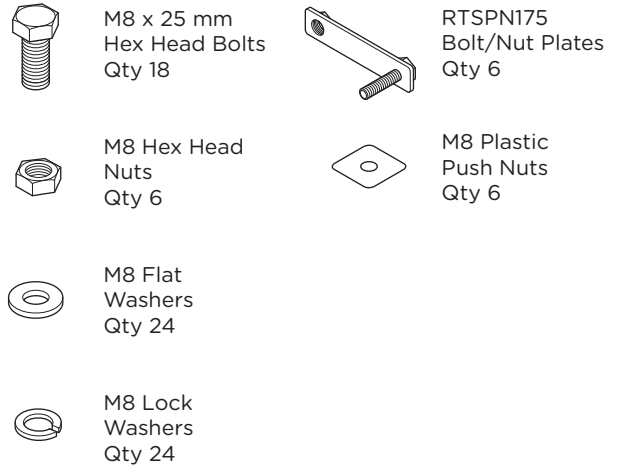
MAGNUM RT STEPS

MAGNUM

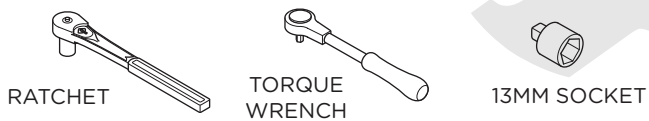
Components:



Hardware:



Tools Required:



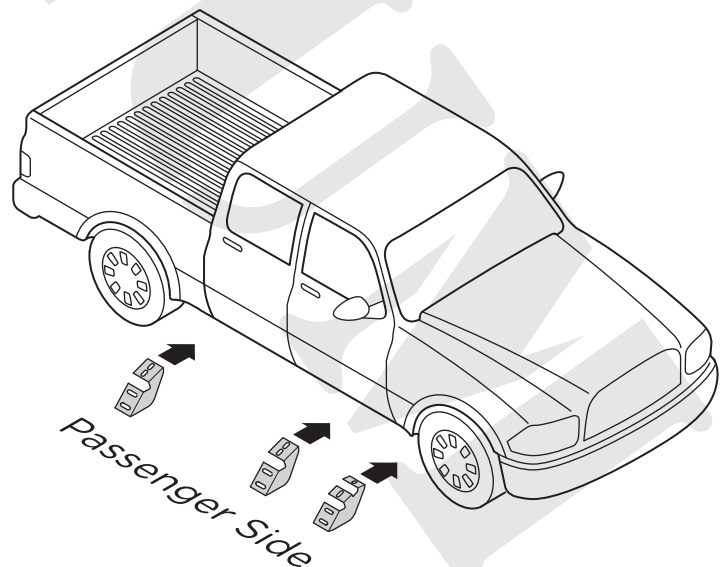
Torque Specifications:

For Rocker Panel Mount Installations
M8 through M12 bolts and nuts are set to 15-20 ft lbs.

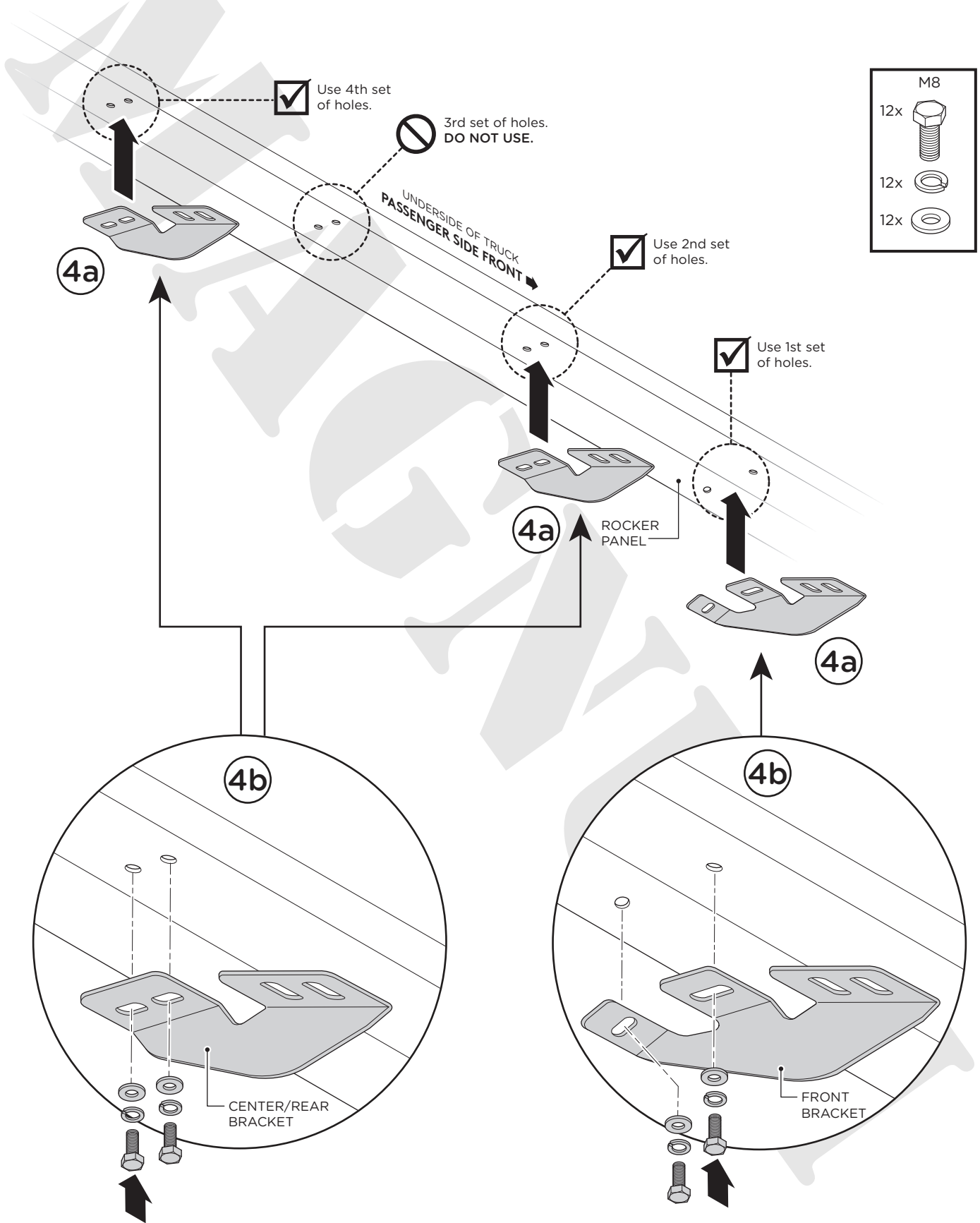
Note: When installing the brackets and bars, all hardware must be left loose until all the items are attached.

1. Remove all contents from the package and check steps for any damage. Also, verify that all components and hardware listed above are included before you begin installation.
2. Read installation manual and installation drawing completely. Understand all brackets and bolts before installation.
3. Begin installation on the passenger side. Align Brackets as shown.

3



4. Align brackets with existing factory threaded holes in the rocker panel (4a). These holes may have black plugs in them that will need to be removed before installation. Fasten each bracket to the rocker panel using two (2) M8 x 30mm Hex Head Bolts, two (2) M8 Lock Washers and two (2) M8 Flat Washers (4b) per bracket.



Installing the Step Bar

5. Line up mounting points on the step bar with the mounting holes in each bracket.

6. Fasten the step bar to each bracket using one (1) RTSPN175 Bolt/Nut Plate, one (1) Plastic Push Nut, one (1) M8 Hex Head Nut, two (2) M8 Lock Washers, two (2) M8 Flat Washers and one (1) M8 x 30MM Hex Head Bolt.

7. Adjust the bars front/back and up/down to desired placement. Once you have the step positioned, tighten until the split lock washer is flat between the bolt head and flat washer. Do not over tighten.

8. When all hardware is in place, everything must be tightened. See page 1 for torque specifications.

*Repeat these steps for opposite side installation.

OPTIONAL:

If you wish to install the Front Armor Plates, begin by thoroughly cleaning the front side of the front step where the Front Armor Plate will attach.

1. Remove adhesive protection from the Front Armor Plate.

2. Carefully line up with the front side of the front step. Be careful not to let the side overhang as they could peel off over time.

Once lined up, firmly press the Front Armor Plate on the step to ensure complete adhesion.

Repeat these steps for opposite side.

