

iArmor®

IARMOR EDGE™

PART#: IA-N295

BEFORE INSTALLATION

REMOVE CONTENTS FROM BOX. VERIFY ALL PARTS ARE PRESENT. READ INSTRUCTIONS CAREFULLY BEFORE STARTING INSTALLATION. ASSISTANCE IS RECOMMENDED. THANK YOU FOR CHOOSING OUR PRODUCT!

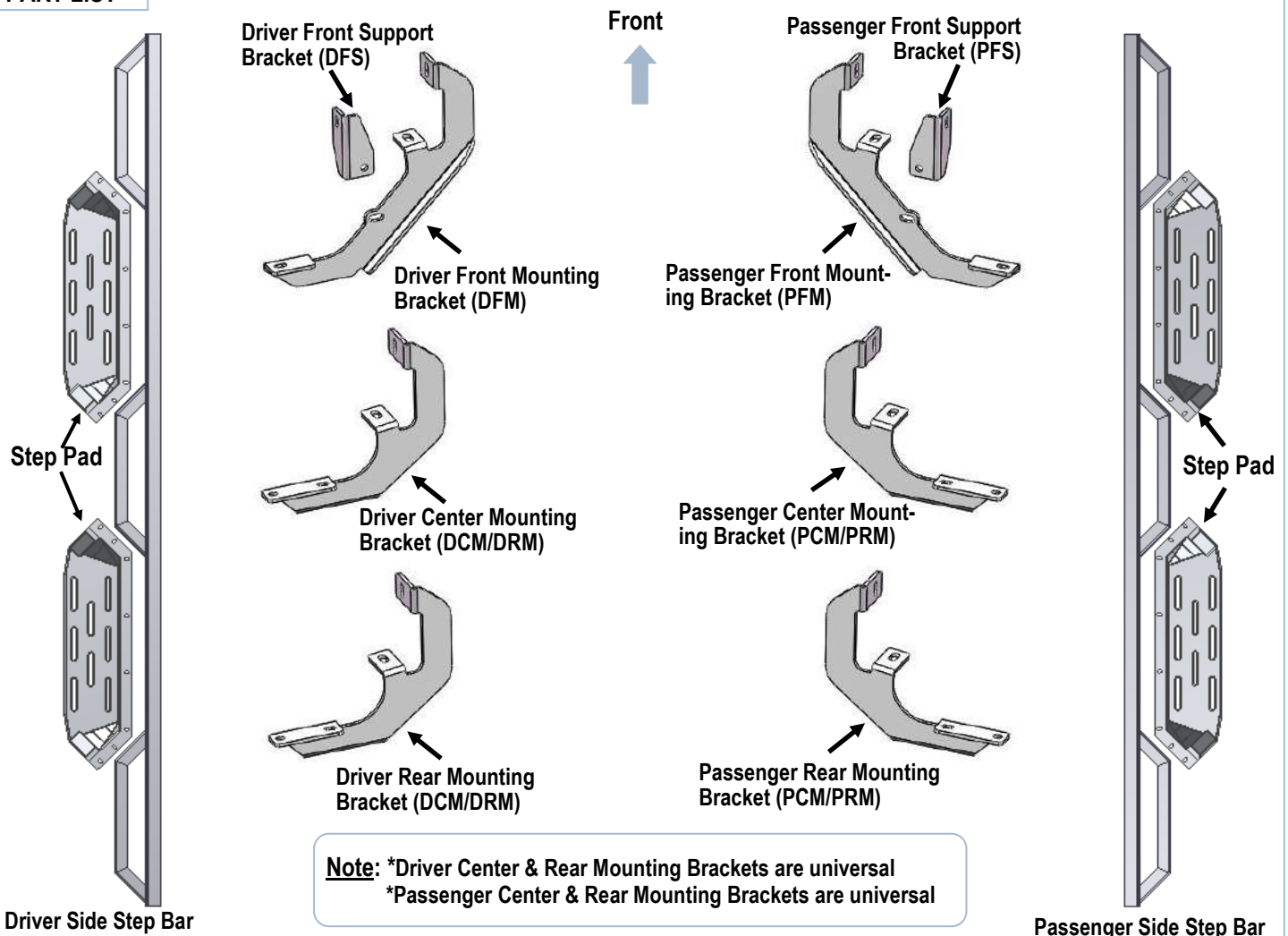
***DRILLING NOT REQUIRED**

***TRIMMING NOT REQUIRED**

Torque Value

Fastener Size	Tightening Torque (ft-lbs)	Required
6mm	6-7	√
8mm	16-18	√
10mm	31-32	X
12mm	56-58	X
14mm	92-94	X

PART LIST



Customer Support: info@iarmorauto.com

iArmor®



X14

M8X1.25-30
Hex Bolt



X16

M8 Flat Washer



X12

M8 Lock Washer



X2

M8X1.25 Nylon
Lock Nut



X4

M6X1-20 Square
Head Bolt



X40

M6X1-20 T-Bolt



X44

M6 Large Flat
Washer



X44

M6X1 Nylon
Lock Nut

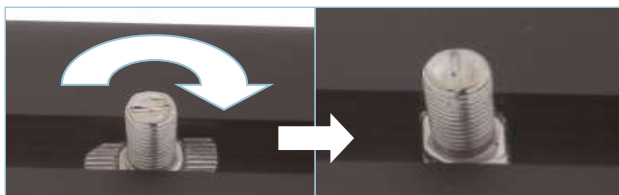
The instruction here is for your reference only. We strongly recommend the professional installer for best result. We are not responsible for any damage caused by the installation.

STEP 1

Install the Step Pads onto the step bars with (32) M6X1-20mm T-Bolts, (32) M6 Large Flat Washers and (32) M6X1 Nylon Lock Nuts.

IMPORTANT: Don't hit the step pad by any metal hammer within step pad installation, or the step pad will be damaged.

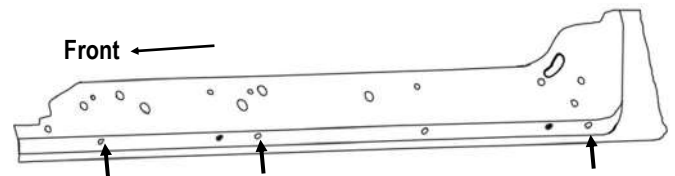
(8) M6X1-20 T-Bolts
(8) M6 Flat Washers
(8) M6 Nylon Lock Nuts



Note: Rotate 90° after inserting the T-Bolts into the Channel!!!

STEP 2

Start the installation under the passenger/right side of the vehicle. Locate the 6 plugs along the bottom edge of the body. Mounting Brackets will bolt to the 1st, 3rd and 6th threaded mounting holes, (Fig 1).



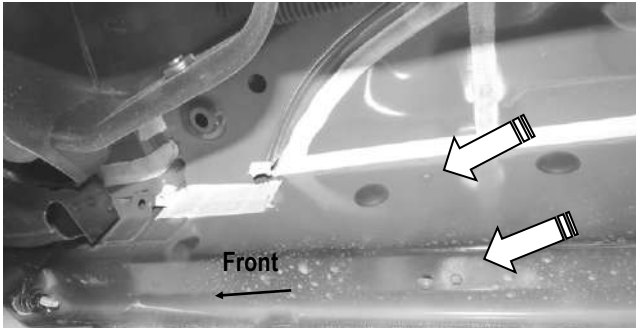
(Fig 1) Passenger Side Rocker Panel Mounting Locations Illustrated (arrows)

STEP 3

Remove the plastic plugs from each mounting location. Directly above each threaded insert is a top mounting location on the side of the body panel, (Fig 2). Hold a Bracket up in place to help determine the correct mounting holes to use along the body.

NOTE: Thread an 8mm Hex Bolt into the threaded inserts to clear paint from hole as required.

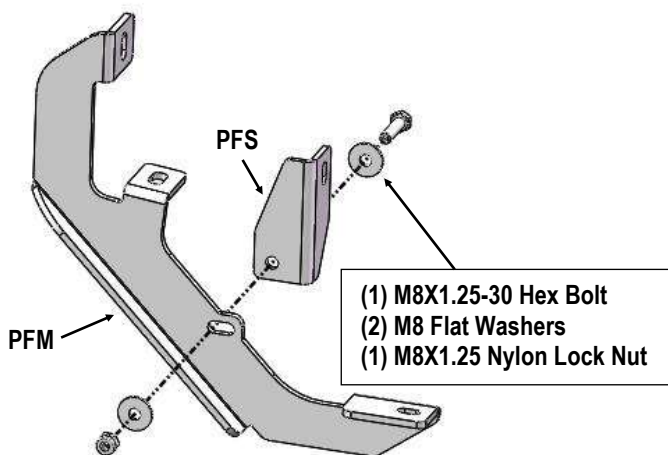
iArmor®



(Fig 2) Passenger Side Front Mounting Location

STEP 4

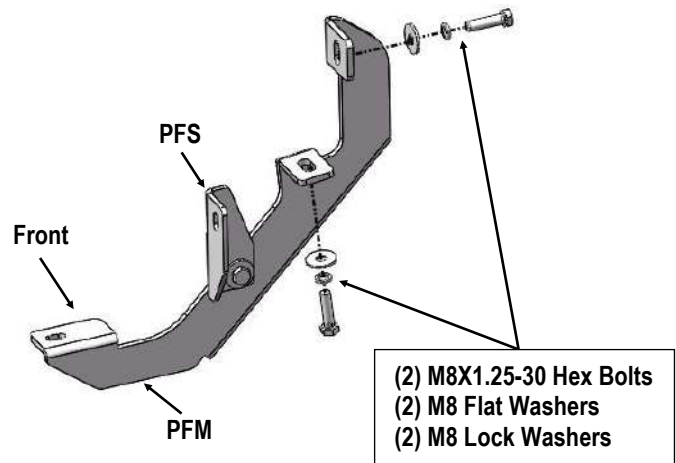
Select (1) Passenger Front Mounting Bracket (**PFM**) and (1) Passenger Front Support Bracket (**PFS**). Attached the Support Bracket onto Mounting Bracket with (1) M8X1.25-30 Hex Bolts, (2) M8 Flat Washer and (1) M8X1.25 Nylon Lock Nut, (**Fig 3**). Do not fully tighten hardware at this time.



(Fig 3) Passenger Front Mounting Bracket Assembly

STEP 5

Bolt the assembled Passenger Front Mounting Bracket to the factory threaded holes with (2) M8X1.25-30 Hex Bolts, (2) M8 Lock Washers and (2) M8 Flat Washers, (**Fig 4**). Do not fully tighten hardware at this time.

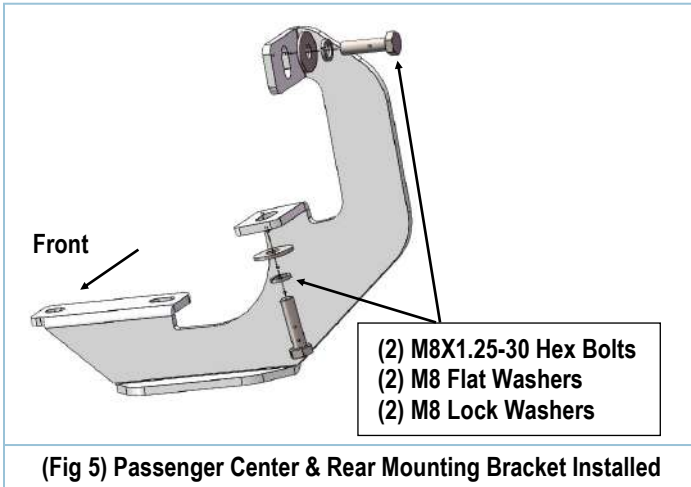


(Fig 4) Passenger Front Mounting Bracket Installed

STEP 6

Attach the Passenger Center Mounting Bracket (**PCM/PRM**) on the Passenger Side Center Mounting Location with (2) M8X1.25-30 Hex Bolts, (2) M8 Lock Washers and (2) M8 Flat Washers, (**Fig 5**). Do not fully tighten hardware at this time.

iArmor®



STEP 7

Repeat **Step 6** to install the Passenger Rear Mounting Bracket (**PCM/PRM**) on the location 6th on vehicle, (**Fig 5**). Do not fully tighten hardware at this time.

STEP 8

Once all (3) Brackets have been installed, attach the Assembled Passenger Side Step Bar to the Brackets using (4) M6X1-20 T-Bolts, (2) M6X1-20 Square Head Bolts (6) M6 Large Flat Washers and (6) M6X1 Nylon Lock Nuts, (**Fig 6**). Do not fully tighten hardware at this time.

STEP 9

Properly level and adjust the Step Bar and fully tighten all hardware.

STEP 10

Move to the driver side of the vehicle. Repeat **Steps 1-9** to install driver side step bar.

Attention

Do periodic inspections to the installation to make sure that all hardware is secure and tight.

In order to protect your bars/boards, please use only mild soap/non-abrasive products for cleaning.

iArmor[®]

(Fig 6) Passenger Side Step Bar Installed

