

iArmor[®]

iArmor[®] by APS

PART#: IA-S071/S195

BEFORE INSTALLATION

REMOVE CONTENTS FROM BOX. VERIFY ALL PARTS ARE PRESENT. READ INSTRUCTIONS CAREFULLY BEFORE STARTING INSTALLATION. ASSISTANCE IS RECOMMENDED. THANK YOU FOR CHOOSING OUR PRODUCT!

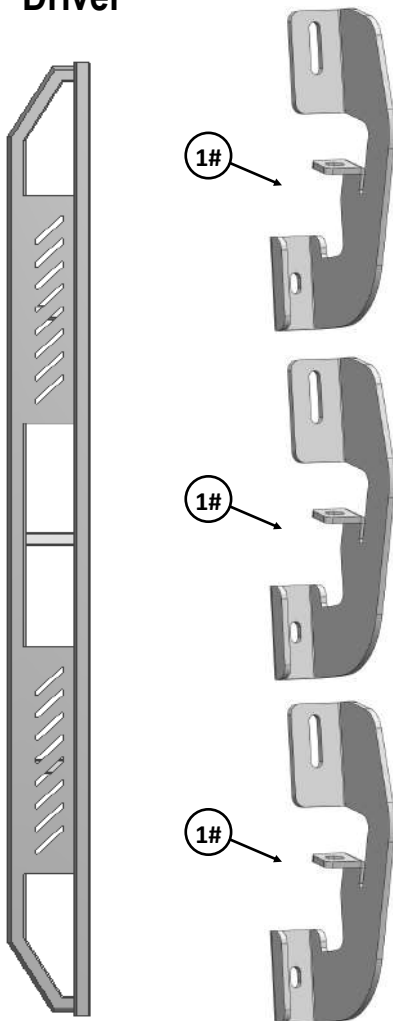
*ROCKER PANEL MOUNT

*NO DRILLING REQUIRED

TRIMMING MAY BE REQUIRED ON SOME MODELS

| Fastener Size | Tightening Torque (ft-lbs) | Required |
|---------------|----------------------------|----------|
| 6mm | 6-7 | X |
| 8mm | 16-18 | √ |
| 10mm | 31-32 | X |
| 12mm | 56-58 | X |
| 14mm | 92-94 | X |

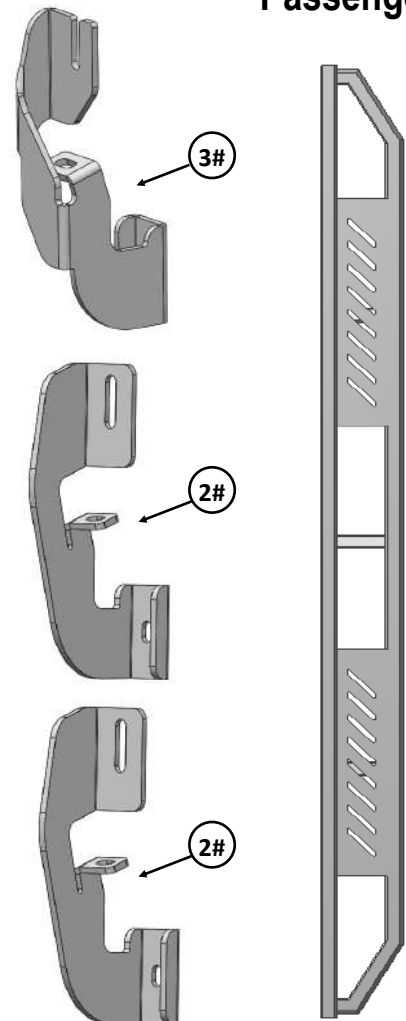
Driver



Front



Passenger



Customer Support: info@iarmorauto.com

iArmor[®]

| Item | QTY | Description | Item | QTY | Description |
|------|-----|--|------|-----|-----------------------------|
| 1# | 3 | Driver Front & Center & Rear Mounting Brackets | 7# | 18 | M8 Large Flat Washers |
| 2# | 2 | Passenger Center & Rear Mounting Brackets | 8# | 18 | M8 Lock Washers |
| 3# | 1 | Passenger Front Mounting Bracket | 9# | 12 | M8 Clip Nuts |
| 4# | 6 | U Brackets | 10# | 6 | M8X1.25-55mm Carriage Bolts |
| 5# | 12 | Spacers | 11# | 6 | M8X1.25 Hex Nuts |
| 6# | 12 | M8X1.25-25mm Hex Bolts | | | |



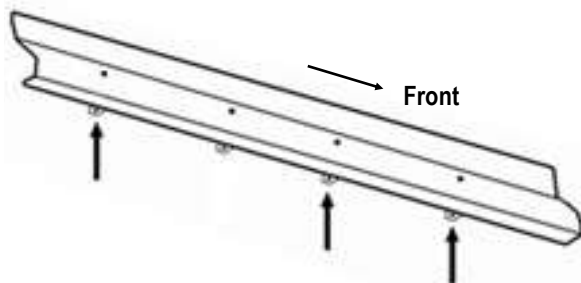
iArmor®

The instruction here is for your reference only. We strongly recommend the professional installer for best result. We are not responsible for any damage caused by the installation.

STEP 1

Start the installation from the driver side of the vehicle. Locate the 3 tabs along the bottom edge of the body, (pinch weld). Mounting Brackets will bolt to the 1st, 2nd, (just in front of center of cab), and 4th mounting tabs, (Fig 1). Directly above each tab is a top mounting location on the side of the body panel.

NOTE: It will be helpful for identifying the mounting holes to hold up a mounting bracket in place.



(Fig 1) Back Of Driver Side (3) Mounting Locations

STEP 2

Determine the correct procedure for your model year and each Bracket location.

Bottom mounting location on the edge of the pinch weld.

***Flat tab on pinch weld with factory installed weld nut:**

Thread M8 Hex Bolt into weld nut from the backside-down to clear paint from threads, (Fig 2).

***Flat tab on pinch weld with hole:**

Select (1) M8 Clip Nut. Slide the M8 Clip Nut over the tab with the nut facing up behind the tab, (Figs 3—5). Line up threaded nut with hole in tab. Repeat for each mounting location.

Top mounting location on the back side of the body panel.

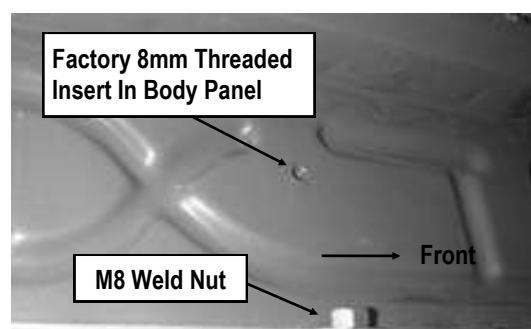
***Models with factory installed threaded insert in body pan-**

el:

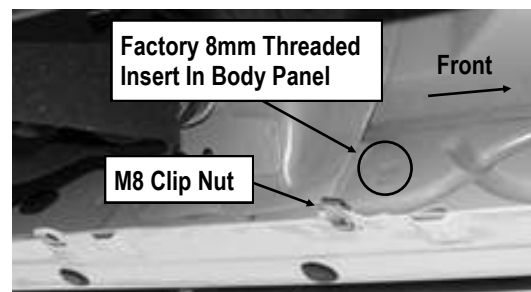
Thread M8 Hex Bolt into threaded insert to clear paint as required, (Figs 2 & 3).

***Large and small hole in side of body panel:**

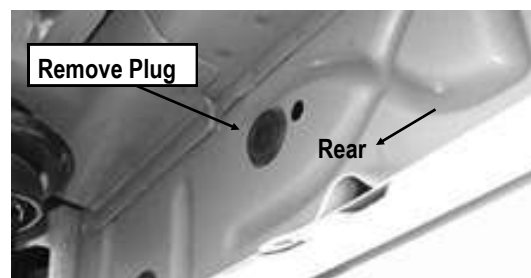
Remove the rubber plug from the larger hole, (Fig 4). Select (1) M8 Clip Nut. Slide the M8 Clip Nut into the larger hole. Line up the threaded nut with the smaller hole, (Fig 5).



(Fig 2) Driver Front Mounting Bracket Location

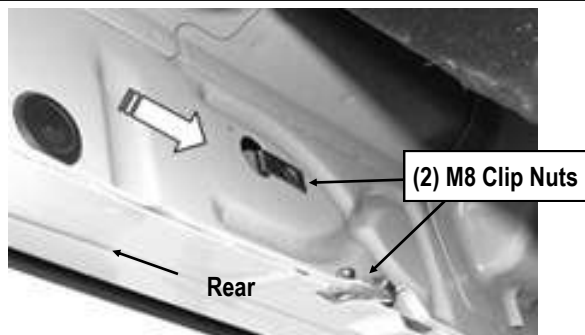


(Fig 3) Driver Center Mounting Bracket Location



(Fig 4) Driver Rear Center Mounting Bracket Location

iArmor®



(Fig 5) Driver Rear Mounting Bracket Location



(Fig 6) Driver Side Front Bracket Installed

STEP 3

Select (1) Driver Front Mounting Bracket, attach it to the installed M8 Clip Nuts and/or the factory threaded holes on Driver Side Front Mounting Location with (2) M8X1.25-25mm Hex Bolts, (2) M8 Lock Washers and (2) M8 Large Flat Washers, (Fig 6). Snug but do not fully tighten the hardware.

Note: All (3) Driver side Mounting Brackets are Universal.

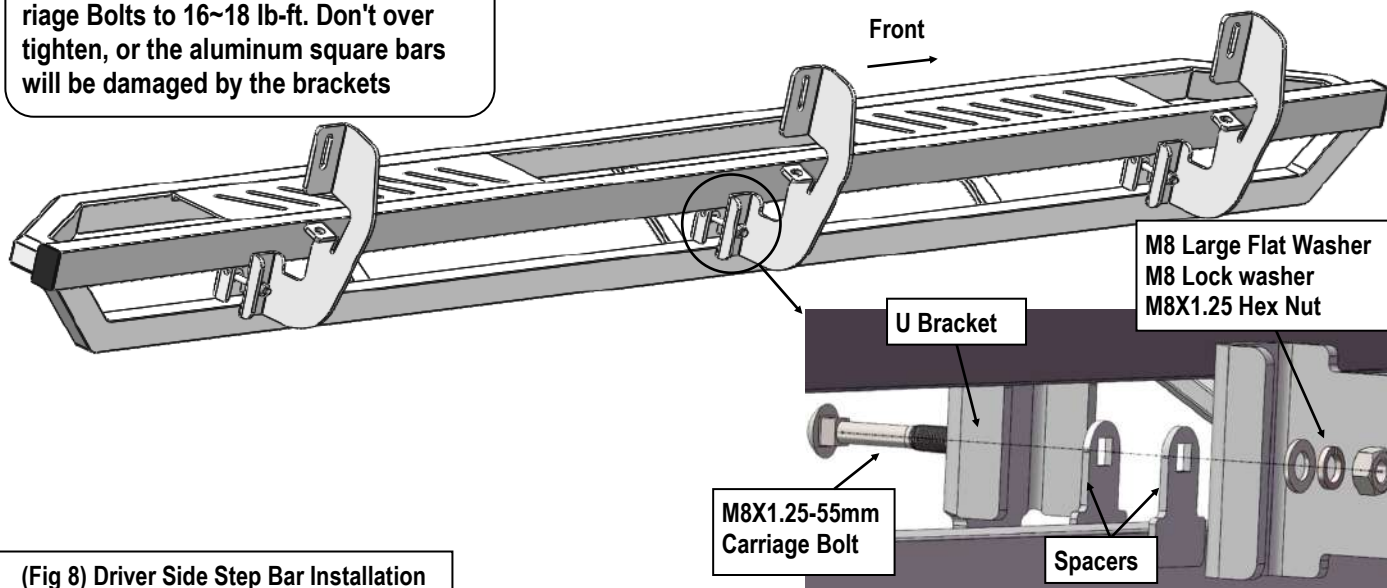
STEP 4

Repeat **Steps 1-3** to install the (2) remaining driver side Brackets.

STEP 5

Once all (3) driver side mounting brackets are installed, select and attach the Driver Side Step Bar onto the Mounting Brackets with (3) U Brackets, (6) Spacers, (3) M8X1.25-55mm Carriage Bolts, (3) M8 Large Flat Washers, (3) M8 Lock Washers and (3) M8X1.25 Hex Nuts (Fig 8). Do not fully tighten hardware at this time.

NOTE: Torque all M8 X1.25-55mm Carriage Bolts to 16~18 lb-ft. Don't over tighten, or the aluminum square bars will be damaged by the brackets



(Fig 8) Driver Side Step Bar Installation

STEP 6

Properly level and adjust the Step Bar and fully tighten all hardware.

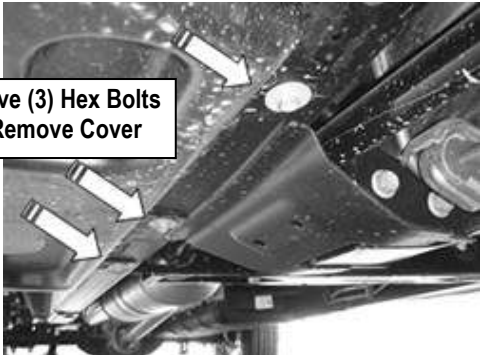
STEP 7

Move to the passenger side of the vehicle. On the passenger side, determine if the vehicle is equipped with a plastic diesel exhaust fluid (DEF) tank, (Figs 9 & 10).

Models without DEF tank, skip to Step 8.


Models with DEF tank: The tank sits close to the side of the body. With specialized tools, the Passenger Front Mounting Bracket can be installed but room is limited. It may be easier to drop the tank down to access the inner side of the body panel for bracket installation. Tank will not need to be removed, only dropped down for access to mounting location. **IMPORTANT: If tank is full, it will be very heavy and assistance is highly recommended to avoid injury or damage to the vehicle or the tank. It is recommended that installation is performed when the DEF tank is low on fluid before dropping the tank.**

- For 07-16 Models:** with plastic lower tray under the tank, remove the (3) hex bolts attaching the tray to the frame, (Fig 9), and remove the tray. **For 2017-Up 2500/3500 models:** Remove the (4) hex bolts attaching the plastic cover to DEF tank, (Fig 10A) and remove the plastic cover, (Fig 10B).
- Release the tank filler hose. Release the plug for the sending unit on the top of the tank.
- Support the tank with a floor jack. Place a smooth flat surface, (wooden block for example), between the floor jack and the tank to avoid damaging the plastic tank. Do not push up on the tank; only support the weight of the tank with the jack.
- Remove the (2) bolts securing the tank straps to the vehicle, (Fig 11). Tilt the straps to release from the brackets. Slowly lower the tank until the top of the tank is almost visible. Use blocks or stands to support the tank while installing the front Brackets.
- Proceed to **Step 8**.



Remove (3) Hex Bolts
To Remove Cover

(Fig 9) 07-16 Passenger Side Front Pictured With DEF Tank Cover



Remove (4) Hex Bolts To
Remove Plastic Cover

(Fig 10A) 2017-Up Passenger Side Pictured With DEF Plastic Tank Cover.



(Fig 10B) 2017 Passenger Side DEF Cover Removed



Front

Remove (2) Factory Bolts
To Remove Tank Straps

(Fig 11) 07-16 Passenger Side DEF Tank And Cover

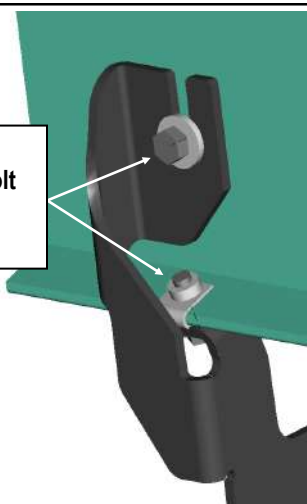
iArmor®

STEP 8

Attach the Passenger Front Mounting Bracket to the vehicle: pinch weld and top panel (Figs 12 & 13).

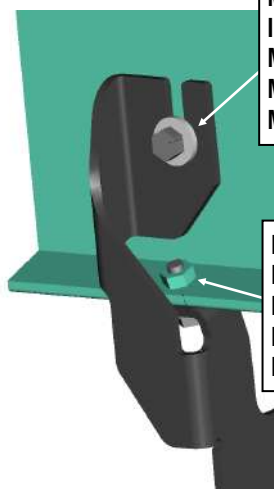
- Models with flat tab and hole:** see Fig 12. Leave loose at this time.
- Models with weld-nut:** see Fig13. Leave loose at this time.

Models With Hole :
(2) M8X1.25-25mm Hex Bolt
(2) M8 Lock Washers
(2) M8 Large Flat Washer



(Fig 12) Passenger Front Mounting Bracket Installed

Models With 8mm Threaded Insert In Body Panel:
M8X1.25-25mm Hex Bolt
M8 Lock Washer
M8 Large Flat Washer



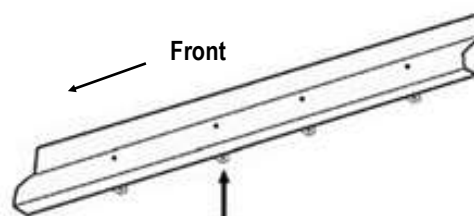
Models With Weld Nut On Pitch Weld:
M8X1.25-25mm Hex Bolt
M8 Lock Washer
M8 Large Flat Washer

(Fig 13) Passenger Front Mounting Bracket Installed (Weld Nut If Equipped-Also See Fig 2)

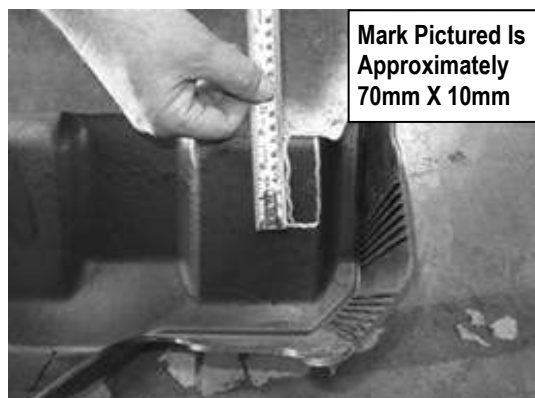
STEP 9

Repeat **Steps 1—3** for the (2) remaining passenger side Bracket installations.

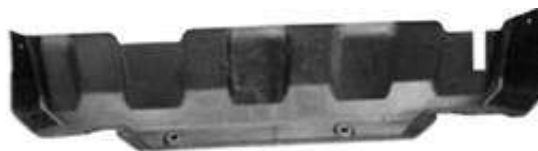
2017-up 2500/3500 DEF tank models: Locate the 2nd tab bracket location along the bottom edge of the body, (pinch weld), (Fig 14). Hold the DEF cover in place and mark the 2nd Bracket location onto the cover, (Fig 15). Use a sharp knife or hacksaw blade to carefully cut a slot in the plastic cover to clear the 2nd Bracket, (Fig 16). Remove as little plastic as possible.



(Fig 14) Passenger 2nd Mounting Bracket Location From Back Of Body Panel



(Fig 15) 2017-Up Passenger Side DEF Cover Marked For Trimming



(Fig 16) 17-Up Passenger Side DEF Cut For Example Only

STEP 10

Repeat **Steps 5-6** to install the passenger side Running Board installation

STEP 11

Once the Running Board are installed and all hardware fully tightened, reinstall the DEF tank and cover, if equipped, as described in **Step 7**.

The installation is completed.

Attention

Do periodic inspections to the installation to make sure that all hardware is secure and tight.

In order to protect your bars/boards, please use mild soap/non-abrasive products for cleaning only.