

iArmor[®]

iArmor[®] by APS

PART#: IA-S197

BEFORE INSTALLATION

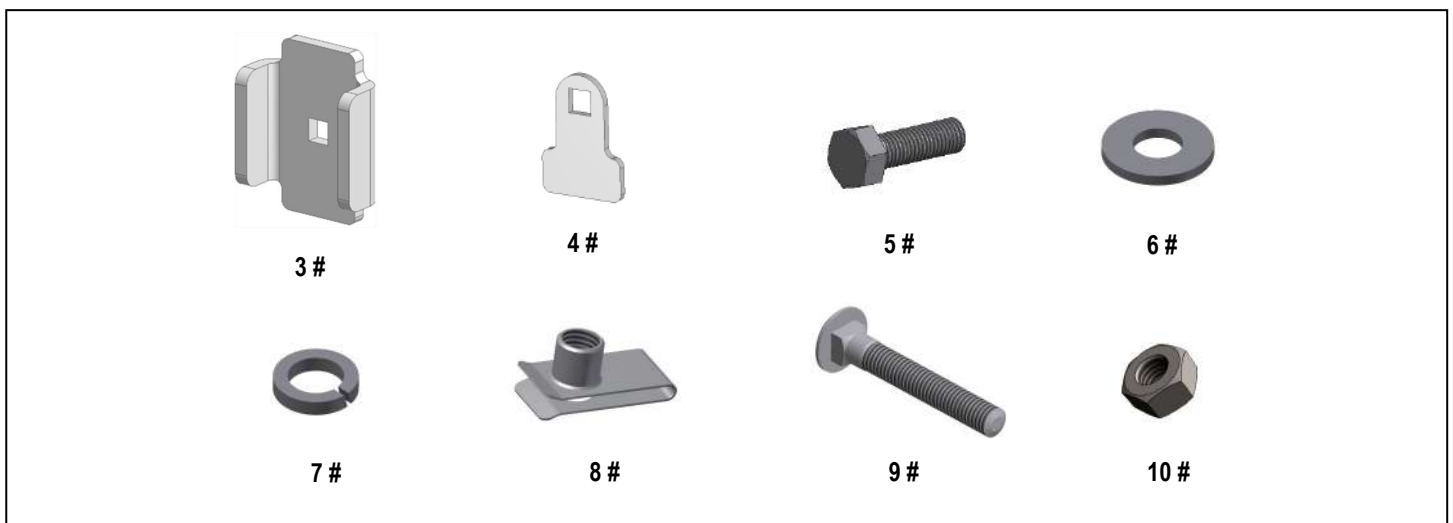
REMOVE CONTENTS FROM BOX. VERIFY ALL PARTS ARE PRESENT. READ INSTRUCTIONS CAREFULLY BEFORE STARTING INSTALLATION. ASSISTANCE IS RECOMMENDED. THANK YOU FOR CHOOSING OUR PRODUCT!

*ROCKER PANEL MOUNT

*NO DRILLING /TRIMMING REQUIRED

Fastener Size	Tightening Torque (ft-lbs)	Required
6mm	6-7	X
8mm	16-18	√
10mm	31-32	X
12mm	56-58	X
14mm	92-94	X

Item	QTY	Description	Item	QTY	Description
1#	3	Driver Front & Center & Passenger Rear Mounting Brackets	6#	18	M8 Large Flat Washers
2#	3	Passenger Front & Center & Driver Rear Mounting Brackets	7#	18	M8 Lock Washers
3#	6	U Brackets	8#	12	M8 Clip Nuts
4#	12	Spacers	9#	6	M8X1.25-55mm Carriage Bolts
5#	12	M8X1.25-30mm Hex Bolts	10#	6	M8X1.25 Hex Nuts



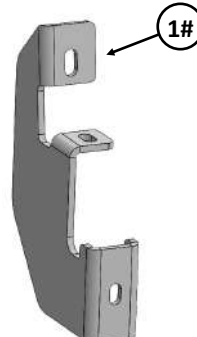
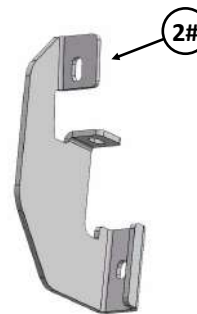
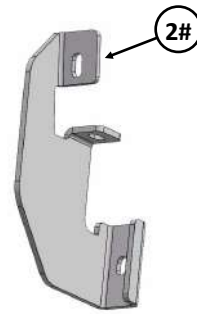
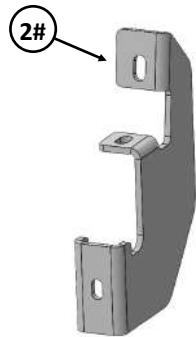
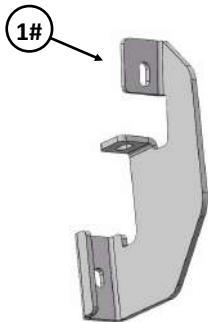
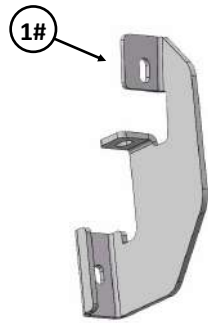
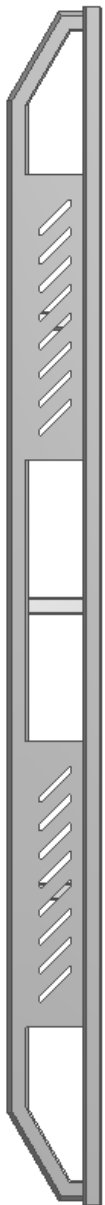
Customer Support: info@iarmorauto.com

iArmor[®]

Driver

Front

Passenger

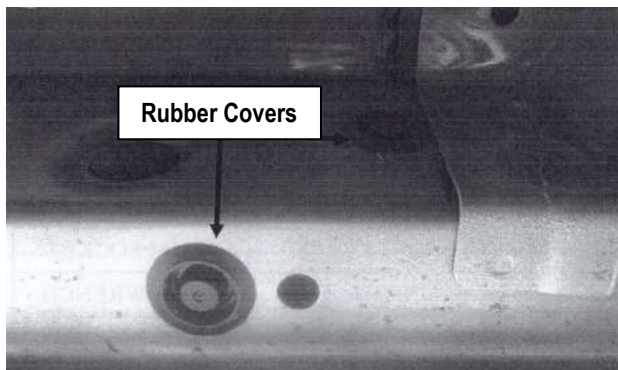


iArmor®

The instruction here is for your reference only. We strongly recommend the professional installer for best result. We are not responsible for any damage caused by the installation.

STEP 1

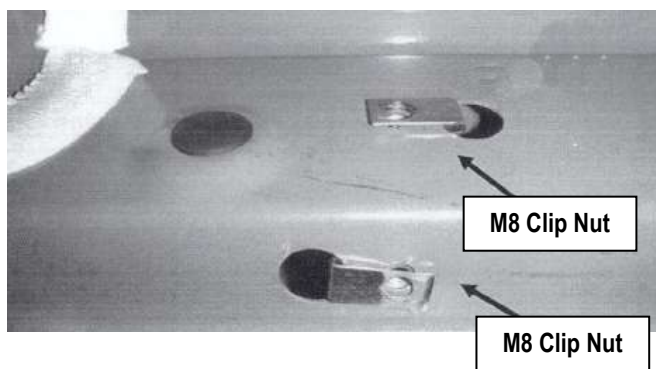
If vehicle has plastic covers, remove the designated covers from the rocker panel where mounts will be placed (**Fig 1**).



(Fig 1) Remove Rubber Covers

STEP 2

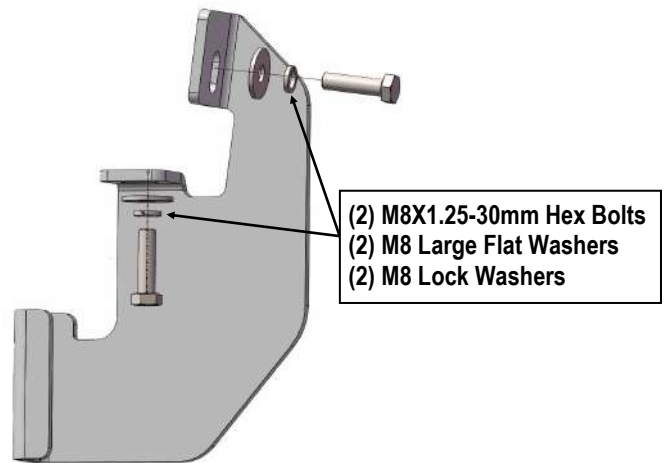
Install M8 Clip Nuts in the holes where the plastic covers were removed, (**Fig 2**).



(Fig 2) Install Supplied M8 Clip Nuts In Designated Areas

STEP 3

Loosely install mounting brackets to the previously install M8 Clip Nuts with (2) M8X1.25-30mm Hex Bolts, (2) M8 Large Flat Washers, (2) M8 Lock Washers, (**Fig 3**) . (**Note:** The middle bracket will be closer to the front bracket then in comparison to the rear bracket, see **Fig 4** for orientation and direction of brackets.)



(Fig 3) Driver Front Mounting Bracket Installation Pictured

STEP 4

Once all (3) driver side mounting brackets are installed, select and attach the Driver Side Step Bar onto the Mounting Brackets with (3) U Brackets, (6) Spacers, (3) M8X1.25-55mm Carriage Bolts, (3) M8 Large Flat Washers, (3) M8 Lock Washers and (3) M8X1.25 Hex Nuts (**Fig 4**). Do not fully tighten hardware at this time.

STEP 5

Properly level and adjust the Step Bar and fully tighten all hardware.

iArmor[®]

STEP 6

Move to the passenger side of the vehicle. Repeat **Steps 1-5** to install the passenger side step bar.

Installation completed.

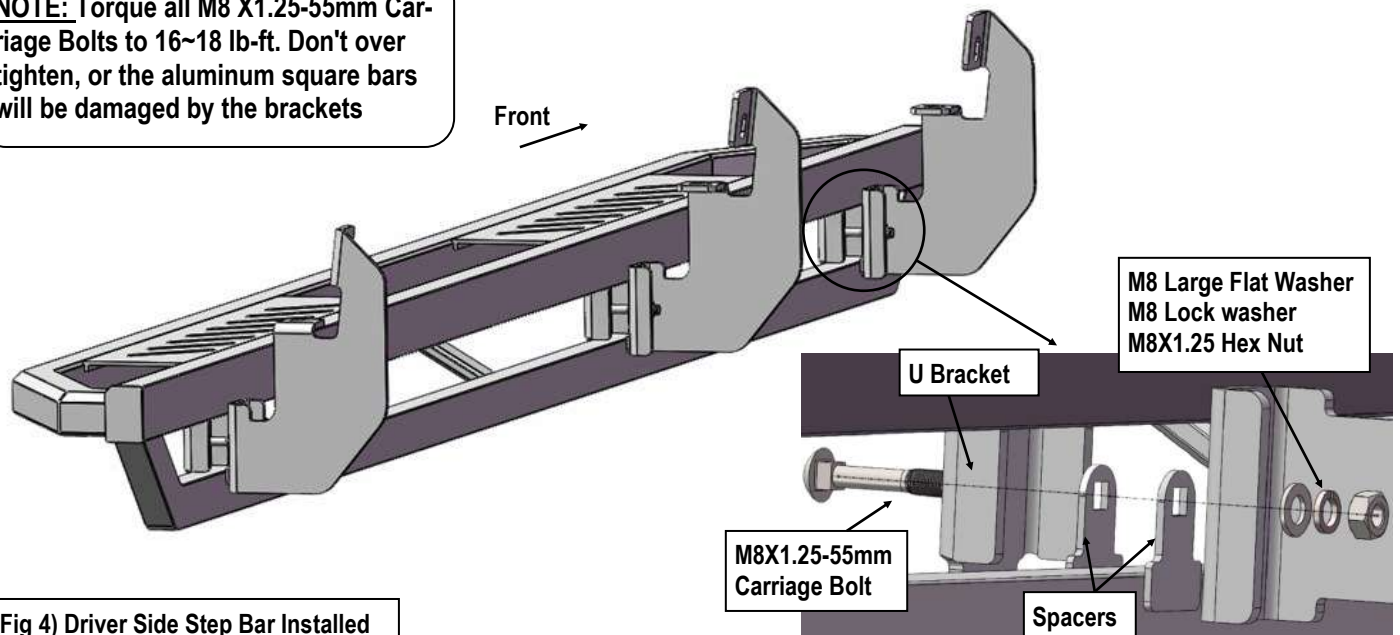
Attention

Do periodic inspections to the installation to make sure that all hardware is secure and tight.

In order to protect your bars/boards, please use only mild soap/non-abrasive products for cleaning.

NOTE: Torque all M8 X1.25-55mm Carriage Bolts to 16~18 lb-ft. Don't over tighten, or the aluminum square bars will be damaged by the brackets

Front



(Fig 4) Driver Side Step Bar Installed