

iArmor[®]

iArmor[®] by APS

PART#: IA-S198

BEFORE INSTALLATION

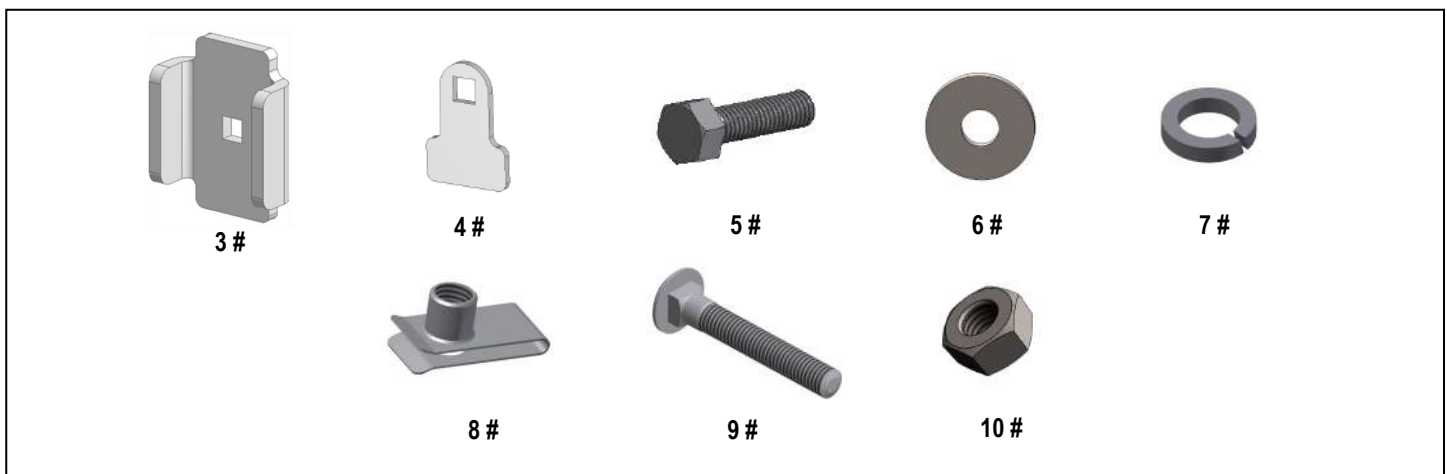
REMOVE CONTENTS FROM BOX. VERIFY ALL PARTS ARE PRESENT. READ INSTRUCTIONS CAREFULLY BEFORE STARTING INSTALLATION. ASSISTANCE IS RECOMMENDED. THANK YOU FOR CHOOSING OUR PRODUCT!

*ROCKER PANEL MOUNT

*NO DRILLING /TRIMMING REQUIRED

Fastener Size	Tightening Torque (ft-lbs)	Required
6mm	6-7	X
8mm	16-18	√
10mm	31-32	X
12mm	56-58	X
14mm	92-94	X

Item	QTY	Description	Item	QTY	Description
1#	3	Driver Front / Center & Passenger Rear Mounting Brackets	6#	18	M8 Large Flat Washers
2#	3	Passenger Front / Center & Driver Rear Mounting Brackets	7#	18	M8 Lock Washers
3#	6	U Brackets	8#	12	M8 Clip Nuts
4#	12	Spacers	9#	6	M8X1.25-55mm Carriage Bolts
5#	12	M8X1.25-30mm Hex Bolts	10#	6	M8X1.25 Hex Nuts



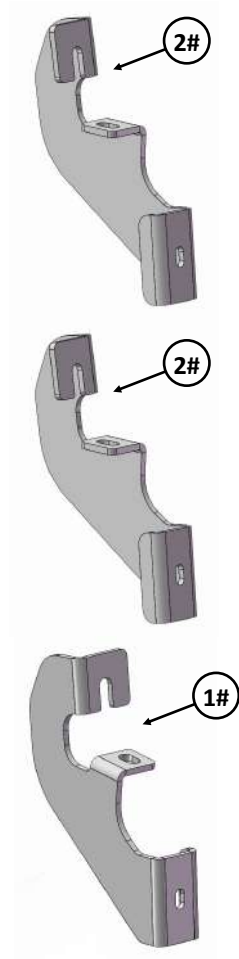
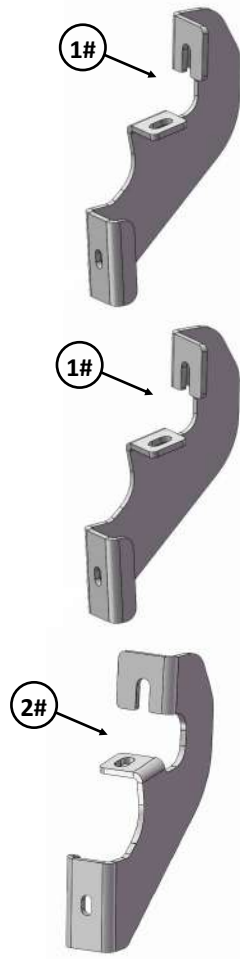
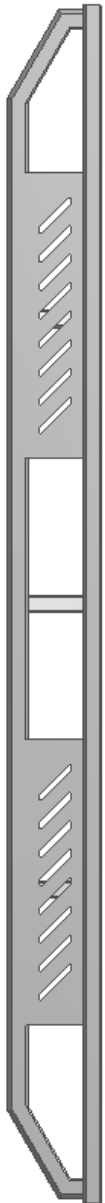
Customer Support: info@iarmorauto.com

iArmor[®]

Driver

Front

Passenger



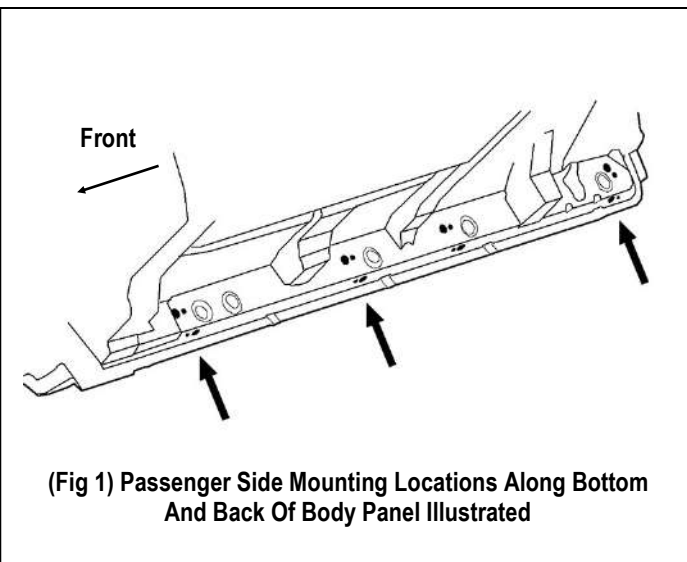
iArmor®

The instruction here is for your reference only. We strongly recommend the professional installer for best result. We are not responsible for any damage caused by the installation.

STEP 1

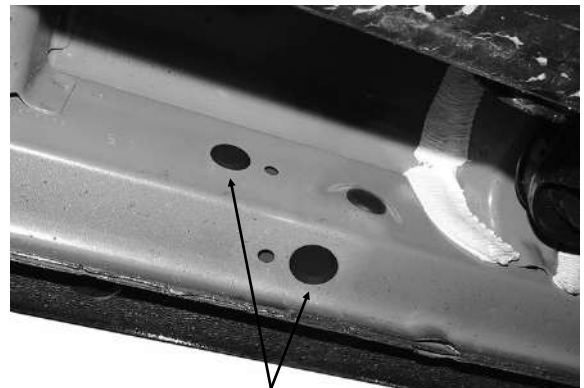
Start the installation from passenger side of the vehicle. Locate the passenger mounting locations along the bottom and inner side of the body panel, (Fig 1).

NOTE: It may help to hold a Bracket up in place to help determine the mounting holes to use along the bottom and inner side of the body.

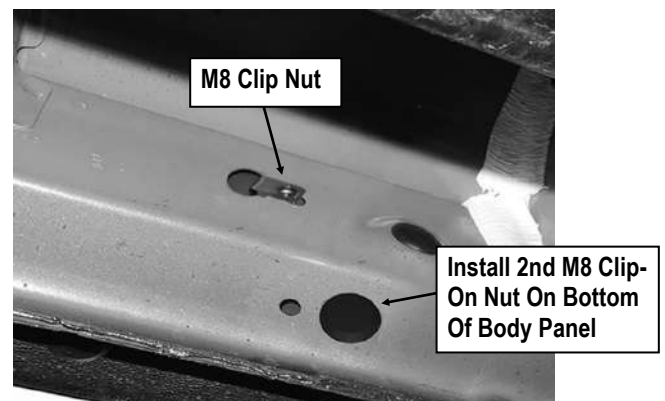


STEP 2

Remove rubber plugs as necessary from the holes in the side and bottom of the inner body panel, (Fig 2). Select (1) M8 Clip Nut. Slide the M8 Clip Nut into the large hole and over the smaller hole next to it in the side of the body panel. Line up threaded nut on the M8 Clip Nut with smaller hole in body panel, (Fig 3). Repeat to install a M8 Clip Nut in the bottom mounting location.



(Fig 2) Remove Plugs From Mounting Locations As Necessary



(Fig 3) Slide M8 Clip-On Nut Into Large Hole And Over Small Hole

STEP 3

Select (1) Passenger Front Mounting Bracket. Attach the Bracket to the (2) M8 Clip Nuts with (2) M8X1.25-30mm Hex Bolts, (2) M8 Lock Washers and (2) M8 Large Flat Washers, (Fig 4). Snug but do not fully tighten the hardware.

Repeat **Steps 2-4** to install Passenger Center Mounting Bracket and Passenger Rear Mounting Bracket, (Figs 5 & 6).

iArmor®

STEP 4

Once all (3) passenger side mounting brackets are installed, select and attach the Passenger Side Step Bar onto the Mounting Brackets with (3) U Brackets, (6) Spacers, (3) M8X1.25-55mm Carriage Bolts, (3) M8 Large Flat Washers, (3) M8 Lock Washers and (3) M8X1.25 Hex Nuts, **(Fig 7)**. Do not fully tighten hardware at this time.

STEP 5

Properly level and adjust the Step Bar and fully tighten all hardware.

STEP 6

Move to the driver side of the vehicle. Repeat **Steps 1-5** to install the driver side step bar.

Installation completed.

Attention

Do periodic inspections to the installation to make sure that all hardware is secure and tight.

In order to protect your bars/boards, please use only mild soap/non-abrasive products for cleaning.



(2) M8X1.25-30mm Hex Bolts
(2) M8 Lock Washers
(2) M8 Large Flat Washers

Front

(Fig 4) Passenger Front Mounting Bracket Installation



(2) M8X1.25-30mm Hex Bolts
(2) M8 Lock Washers
(2) M8 Large Flat Washers

Front

(Fig 5) Passenger Center Mounting Bracket Installation



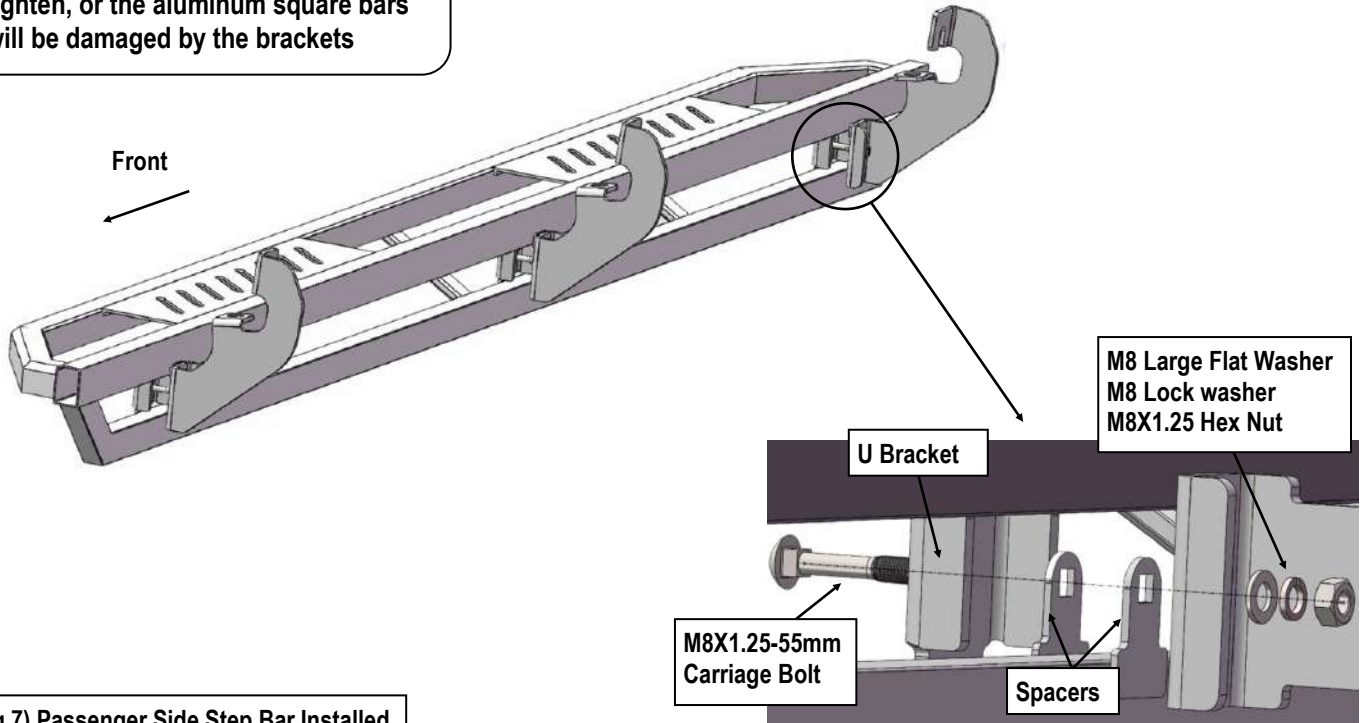
(2) M8X1.25-30mm Hex Bolts
(2) M8 Lock Washers
(2) M8 Large Flat Washers

Front

(Fig 6) Passenger Rear Mounting Bracket Installation

iArmor[®]

NOTE: Torque all M8 X1.25-55mm Carriage Bolts to 16~18 lb-ft. Don't over tighten, or the aluminum square bars will be damaged by the brackets



(Fig 7) Passenger Side Step Bar Installed