

# iArmor<sup>®</sup>

## iArmor<sup>®</sup> by APS

PART#: IA-S001

### BEFORE INSTALLATION

REMOVE CONTENTS FROM BOX. VERIFY ALL PARTS ARE PRESENT. READ INSTRUCTIONS CAREFULLY BEFORE STARTING INSTALLATION. ASSISTANCE IS RECOMMENDED. THANK YOU FOR CHOOSING OUR PRODUCT!

\*ROCKER PANEL MOUNT

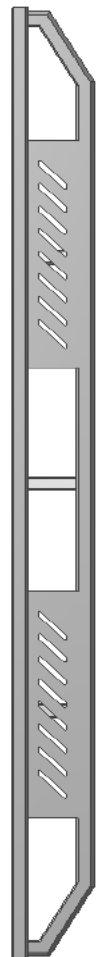
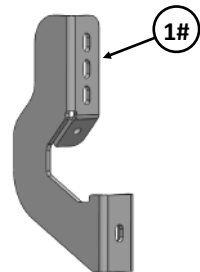
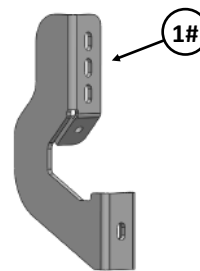
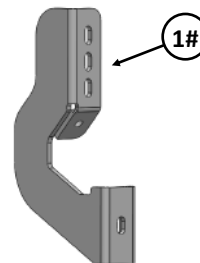
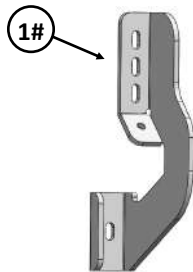
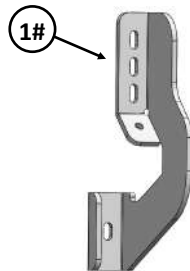
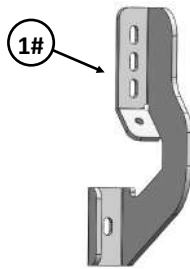
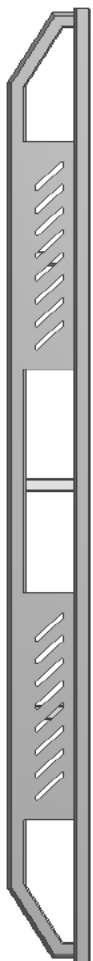
\*DRILLING IS REQUIRED/NO TRIMMING REQUIRED

Fastener Size	Tightening Torque (ft-lbs)	Required
6mm	6-7	X
8mm	16-18	√
10mm	31-32	X
12mm	56-58	X
14mm	92-94	X

Driver

Front

Passenger



# iArmor®

Item	QTY	Description	Item	QTY	Description
1#	6	Mounting Brackets	6#	6	M18X1.25 Nylon Lock Nuts
2#	6	U Brackets	7#	4	ST6.3-25mm Hex Self Tapping Screws
3#	12	Spacers	8#	6	M8X1.25-55 Carriage Bolts
4#	10	M8X1.25-20mm Hex Bolts	9#	6	M8 Lock Washers
5#	22	M8 Large Flat Washers	10#	6	M8X1.25 Hex Nuts

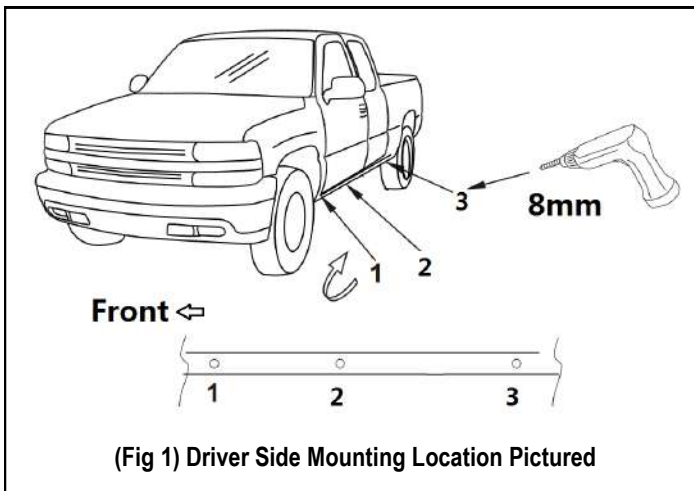


# iArmor®

The instruction here is for your reference only. We strongly recommend the professional installer for best result. We are not responsible for any damage caused by the installation.

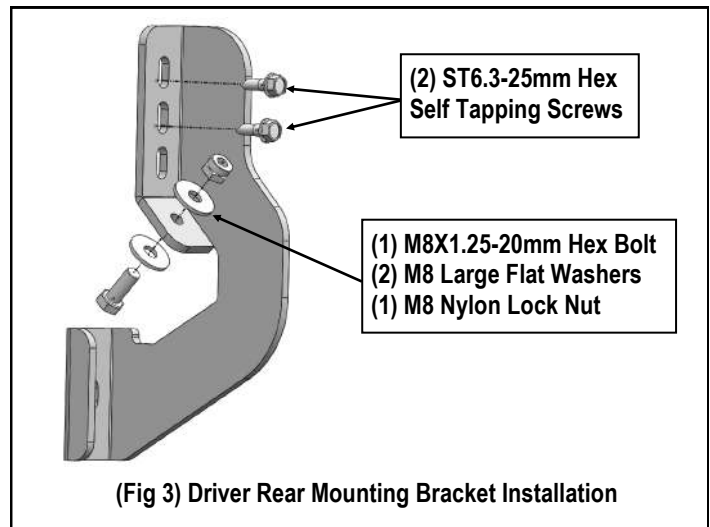
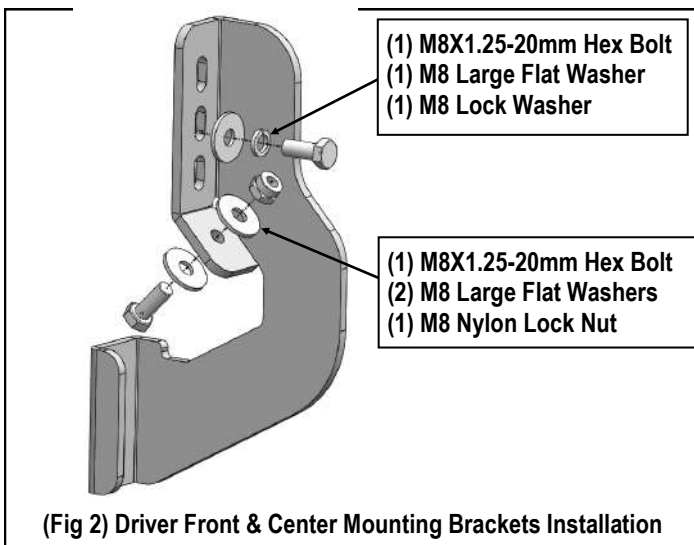
## STEP 1

Start from driver side mounting locations, drill 8mm hole in pinch weld as shown, (Fig 1).



## STEP 2

Attach Driver Side Brackets as shown, (Figs 2-3).



## STEP 3

Once all (3) driver side mounting brackets are installed, select and attach the Driver Side Step Bar onto the Mounting Brackets with (3) U Brackets, (6) Spacers, (3) M8X1.25-55mm Carriage Bolts, (3) M8 Large Flat Washers, (3) M8 Lock Washers and (3) M8X1.25 Hex Nuts, (Fig 4). Do not fully tighten hardware at this time.

## STEP 4

Properly level and adjust the Step Bar and fully tighten all hardware.

## STEP 5

Move to the passenger side of the vehicle. Repeat **Steps 1-4** to install passenger side step bar.

Installation completed.

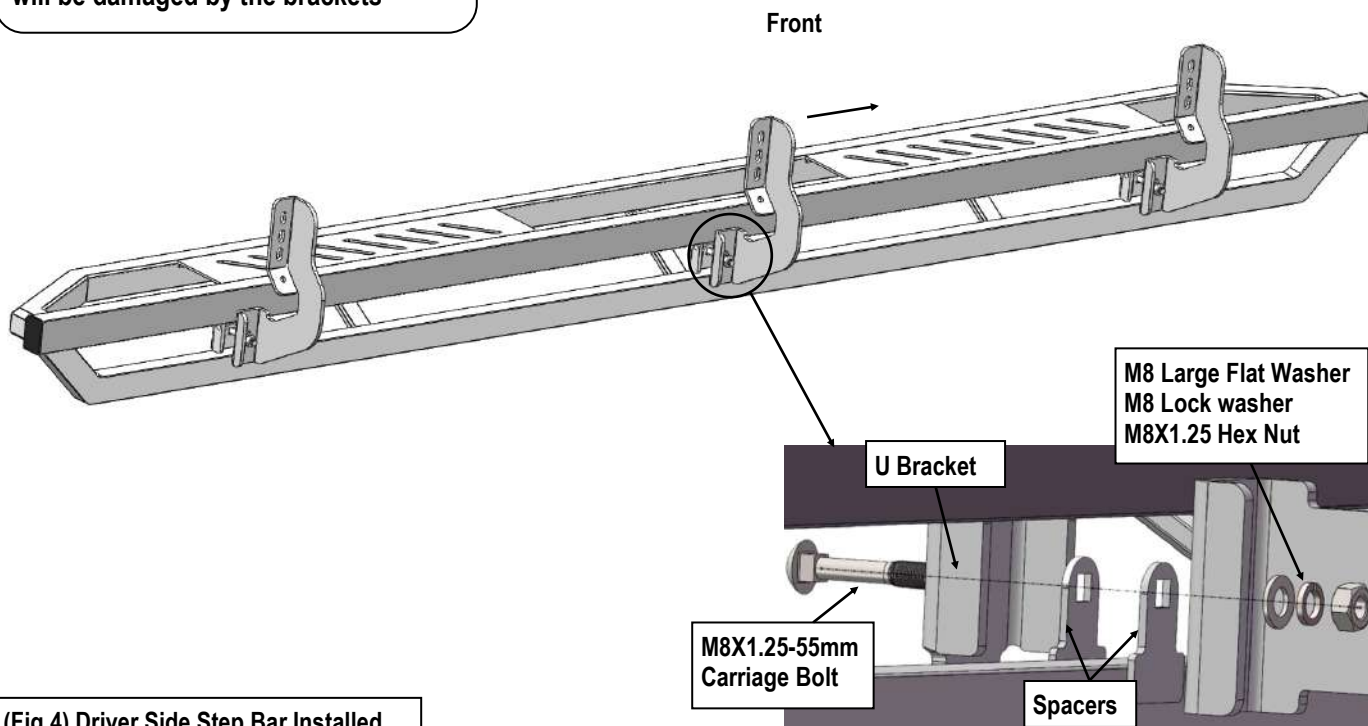
### Attention

Do periodic inspections to the installation to make sure that all hardware is secure and tight.

In order to protect your bars/boards, please use mild soap/non-abrasive products for cleaning only.

# iArmor<sup>®</sup>

**NOTE:** Torque all M8 X1.25-55mm Carriage Bolts to 16~18 lb-ft. Don't over tighten, or the aluminum square bars will be damaged by the brackets



(Fig 4) Driver Side Step Bar Installed