

iArmor®

IARMOR EDGE™

PART#: IA-N178

BEFORE INSTALLATION

REMOVE CONTENTS FROM BOX. VERIFY ALL PARTS ARE PRESENT. READ INSTRUCTIONS CAREFULLY BEFORE STARTING INSTALLATION. ASSISTANCE IS RECOMMENDED. THANK YOU FOR CHOOSING OUR PRODUCT!

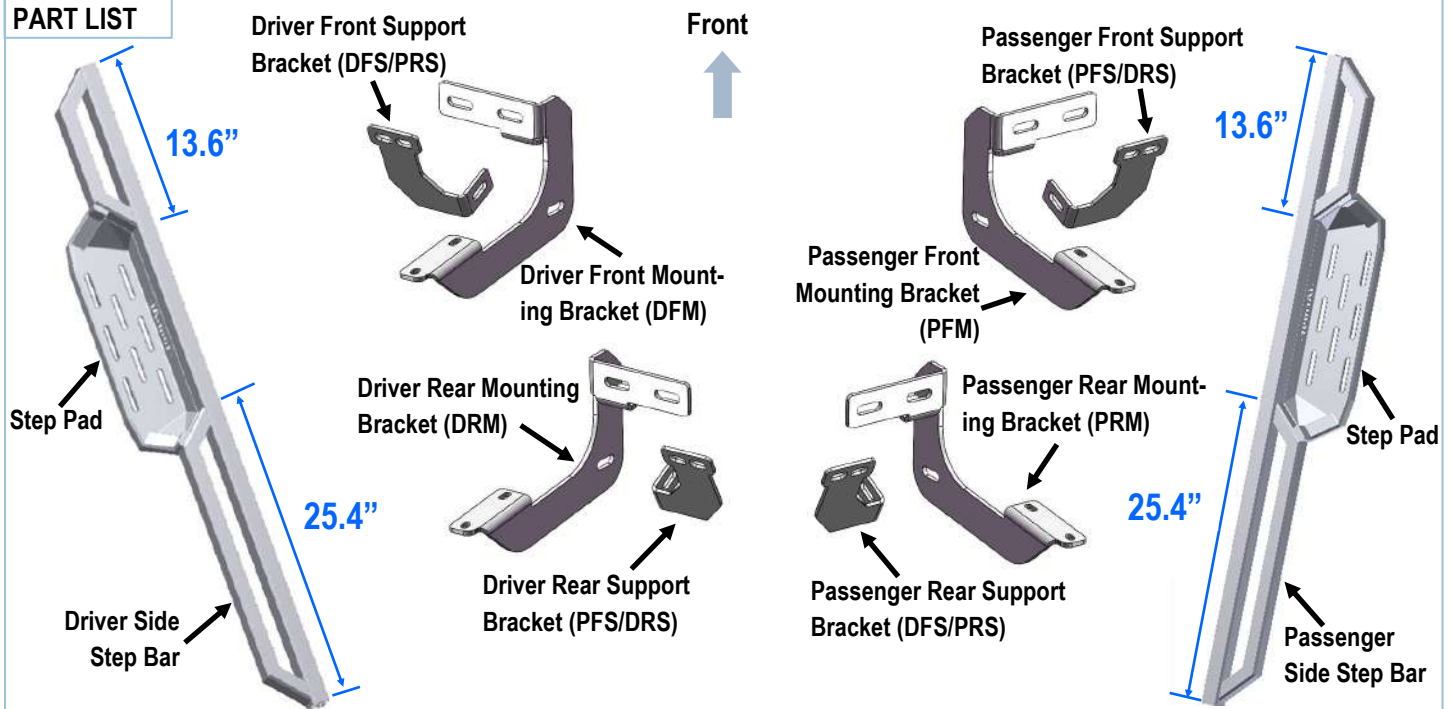
*DRILLING MAY BE REQUIRED

*TRIMMING NOT REQUIRED

Torque Value

Fastener Size	Tightening Torque (ft-lbs)	Required
6mm	6-7	√
8mm	16-18	√
10mm	31-32	X
12mm	56-58	X
14mm	92-94	X

PART LIST



X4	X4	X12	X16	X8	X4
M8 Bolt/Nut Plate	Plastic Washer	M8X1.25-30mm Hex Bolt	M8 Flat Washer	M8 Lock Washer	M8X1.25 Hex Nut
X4	X8	X24	X40	X32	
M8X1.25 Nylon Lock Nut	M6X1-25mm Hex Bolt	M6X1-20mm T-Bolt	M6 Large Flat Washer	M6X1 Nylon Lock Nut	

Customer Support: info@iarmorauto.com

iArmor®

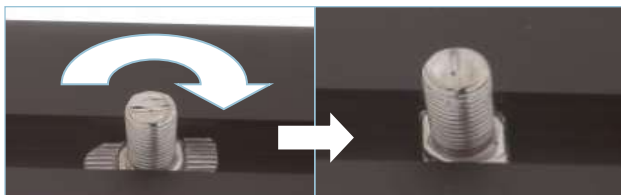
The instruction here is for your reference only. We strongly recommend the professional installer for best result. We are not responsible for any damage caused by the installation.

STEP 1

Install the Step Pads onto the step bars with (16) M6x1-20mm T-Bolts, (16) M6 Large Flat Washers and (16) M6X1Nylon Lock Nuts.

IMPORTANT: Don't hit the step pad by any metal hammer within step pad installation, or the step pad will be damaged.

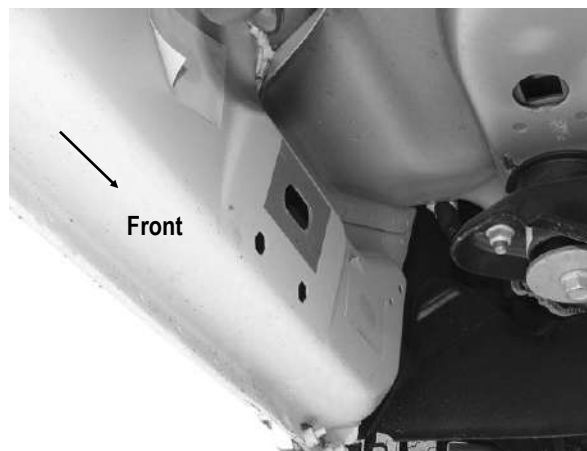
(8) M6X1-20 T-Bolts
(8) M6 Flat Washers
(8) M6 Nylon Lock Nuts



Note: Rotate 90° after inserting the T-Bolts into the Channel!!!

STEP 2

Starting at the Driver Side Front of the vehicle, remove the sealing tape covering the factory holes in the side of the inner panel, (Fig 1)



(Fig 1) 09-mid 15 Driver Side Front Mounting Location
(No factory holes in pinch weld on some models)

STEP 3

Determine the correct procedure to attach the Driver Front Mounting Bracket (DFM) for your model/year:

Models without factory threaded inserts in body panel:

a. Partially thread (1) M8X1.25-30mm Hex Bolt into the threaded end of (1) M8 Bolt/Nut Plate, (Fig 2). Thread the hex bolt in until it is flush with the welded nut, (Fig 3). Use the hex bolt as a handle and insert the Bolt/Nut Plate into the oval hole, (Fig 4). Feed the threaded bolt on the plate through one of the hex shaped factory holes. Thread (1) M8 Plastic Washer onto the threaded end and down tight against the body panel, (Fig 5). **NOTE:** The Plastic washer is designed to keep the Bolt/Nut Plate from falling into the body panel and to aid in bracket installation.

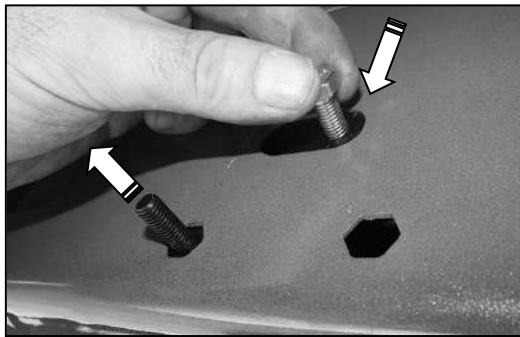


(Fig 2) M8 Bolt/Nut Plate (NOTE: M8 Bolt/Nut Plate is not required on models with threaded inserts on body panel)

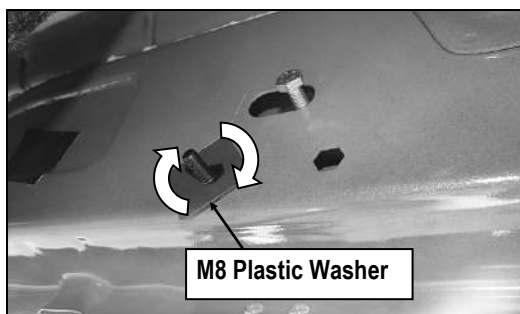
iArmor®



(Fig 3) Thread (1) M8X1.25-30mm Hex Bolt into the nut on the plate. Stop when bolt reaches end of nut as pictured



(Fig 4) Use the loose Hex Bolt as a handle. Insert the Bolt/Nut Plate into the oval hole and feed the threaded end out either factory hex shaped hole. **IMPORTANT:** Do not let go of the hex bolt until after Plastic Washer has been threaded onto bolt (Fig 5).



(Fig 5) Thread Plastic Washer onto the bolt to hold the Bolt/Nut Plate in position

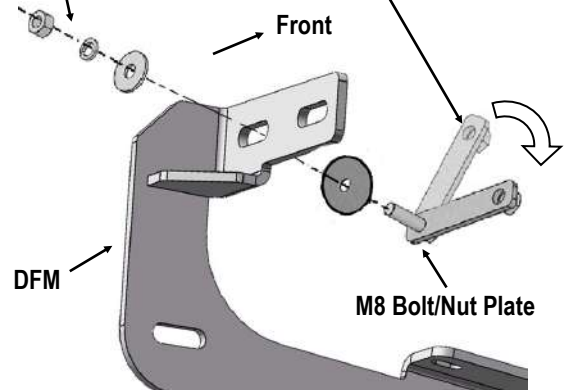
b. Attach the Driver Front Mounting Bracket (DFM), (Fig 6) to the threaded end of the M8 Bolt/Nut Plate with (1) M8 Flat Washer, (1) M8 Lock Washer and (1) M8X1.25 Hex Nut, (Fig 7A). Remove the M8X1.25-30mm Hex Bolt from the nut on the Bolt/Nut Plate from **Step 3a**. Rotate the Bolt on the Bolt/Nut Plate until the threaded nut lines up with the remaining hole in the Mounting Bracket and body panel, Do not fully tighten hardware at this time.



(Fig 6) Driver Front Mounting Bracket

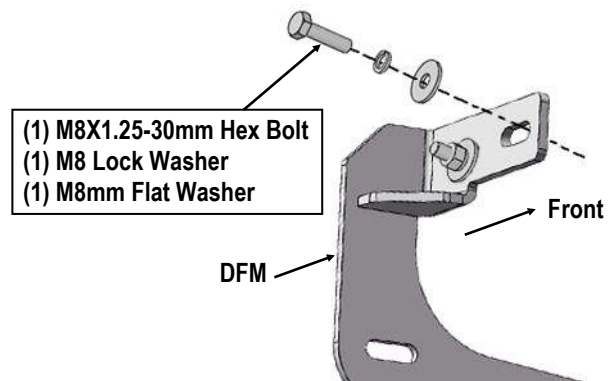
- (1) M8 Flat Washer
- (1) M8 Lock Washer
- (1) M8X1.25 Hex Nut

Remove Hex Bolt, rotate Bolt/Nut Plate to line up threaded nut with body panel and Mounting Bracket (see arrow)



(Fig 7A) Attach Driver Front Mounting Bracket to M8 Bolt/Nut Plate

c. Attach the Driver Front Mounting Bracket (DFM) to the threaded nut on the M8 Bolt/Nut Plate with (1) M8x1.25- 30mm Hex Bolt, (1) M8 Lock Washer and (1) M8 Flat Washer, (Fig 7B). Do not fully tighten hardware at this time.

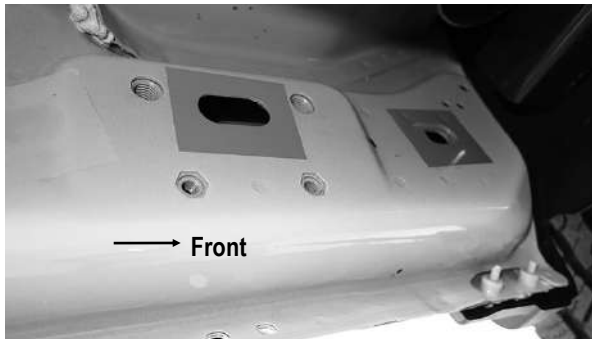


(Fig 7B) Attach Driver Mounting Bracket to threaded end of the M8 Bolt/Nut Plate

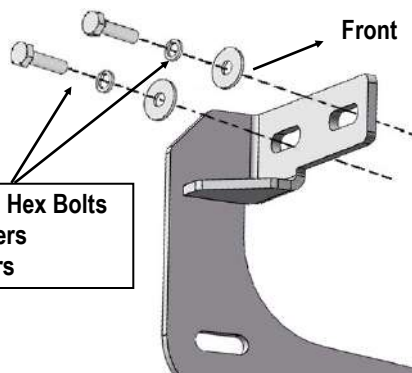
iArmor®

Models with factory threaded inserts:

Attach Driver Front Mounting Bracket to the threaded inserts with (2) M8x1.25-30mm Hex Bolts, (2) M8 Lock Washers and (2) M8 Flat Washers, (Figs 8 & 9). Do not fully tighten hardware at this time.



(Fig 8) Driver Side Front Mounting Location mid 2015-on, an example of models with factory installed threaded inserts

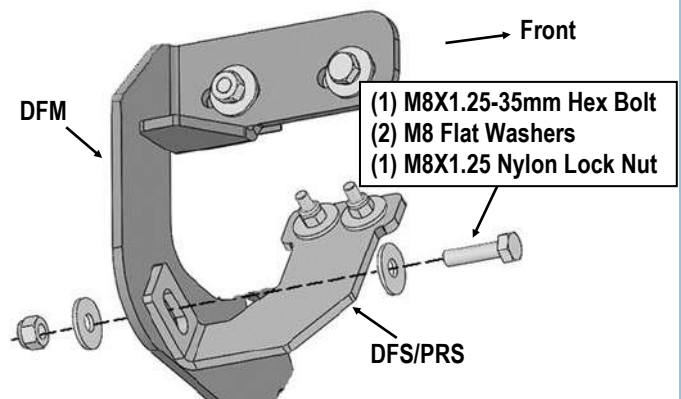


(Fig 9) Driver Front Mounting Bracket Installed (Models w/ factory installed threaded inserts/M8 Bolt/Nut Plate not required)

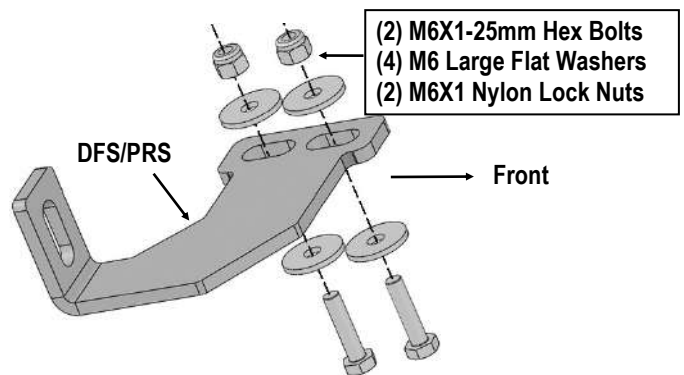
STEP 4

Attach the Driver Front Support Bracket (DFS/PRS) to the Driver Front Mounting Bracket (DFM) with (1) M8X1.25-30mm Hex Bolt, (2) M8 Flat Washers and (1) M8X1.25 Nylon Lock Nut, (Fig 10). Rotate the support bracket to the back of the pinch weld.

Line up the slots in the top of the Support Bracket with the (2) factory holes in the pinch weld. Attach the Bracket to the back of the pinch weld with (2) M6x1-25mm Hex Bolts, (4) M6 Flat Washers and (2) M6X1 Nylon Lock Nuts, (Figs 11 & 12). Do not fully tighten hardware at this time. **IMPORTANT:** Some models are not equipped with factory holes and will require drilling through the pinch weld to attach the Support Bracket. Do not drill through pinch weld at this time, (Refer to Step 7).

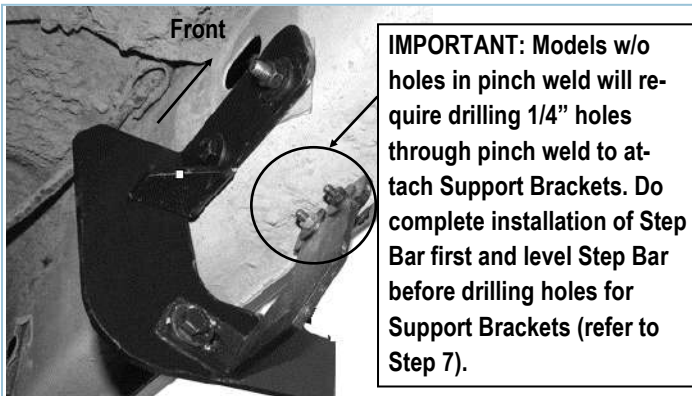


(Fig 10) Attach Driver Front Support Bracket to Drive Front Mounting Bracket



(Fig 11) Attach Driver Front Support Bracket to back of pinch weld (models with factory holes in pinch weld only)

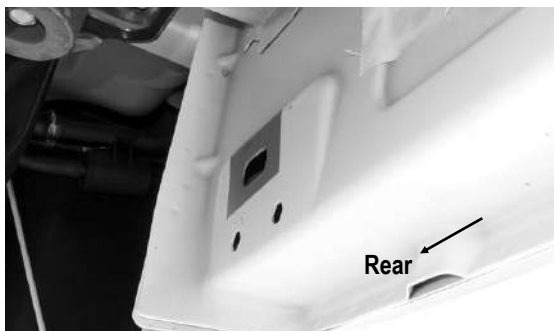
iArmor®



(Fig 12) Driver Front Brackets installed

STEP 5

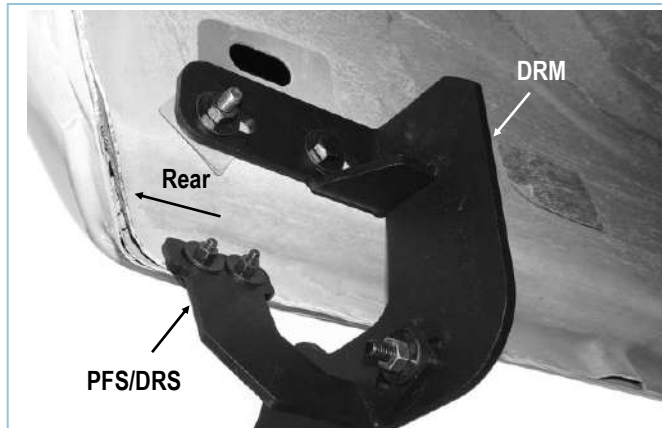
Move to the Driver Side Rear Mounting location, (Fig 13). Repeat **Step 3** to install the Driver Rear Mounting Bracket (DRM). Repeat **Step 4** to attach the Driver Rear Support Bracket (PFS/DRS) to the Driver Rear Mounting Bracket and factory holes (if equipped) in the pinch weld, (Fig 14).



(Fig 13) Driver Side Rear Mounting location

STEP 6

Once all (2) Brackets have been installed, attach the Assembled Driver Side Step Bar to the Mounting Brackets using (4) M6X1-20mm T-Bolts, (4) M6 Large Flat Washers and (4) M6X1 Nylon Lock Nuts, (Fig 15). Do not fully tighten at this time.



(Fig 14) Driver Rear Brackets installed

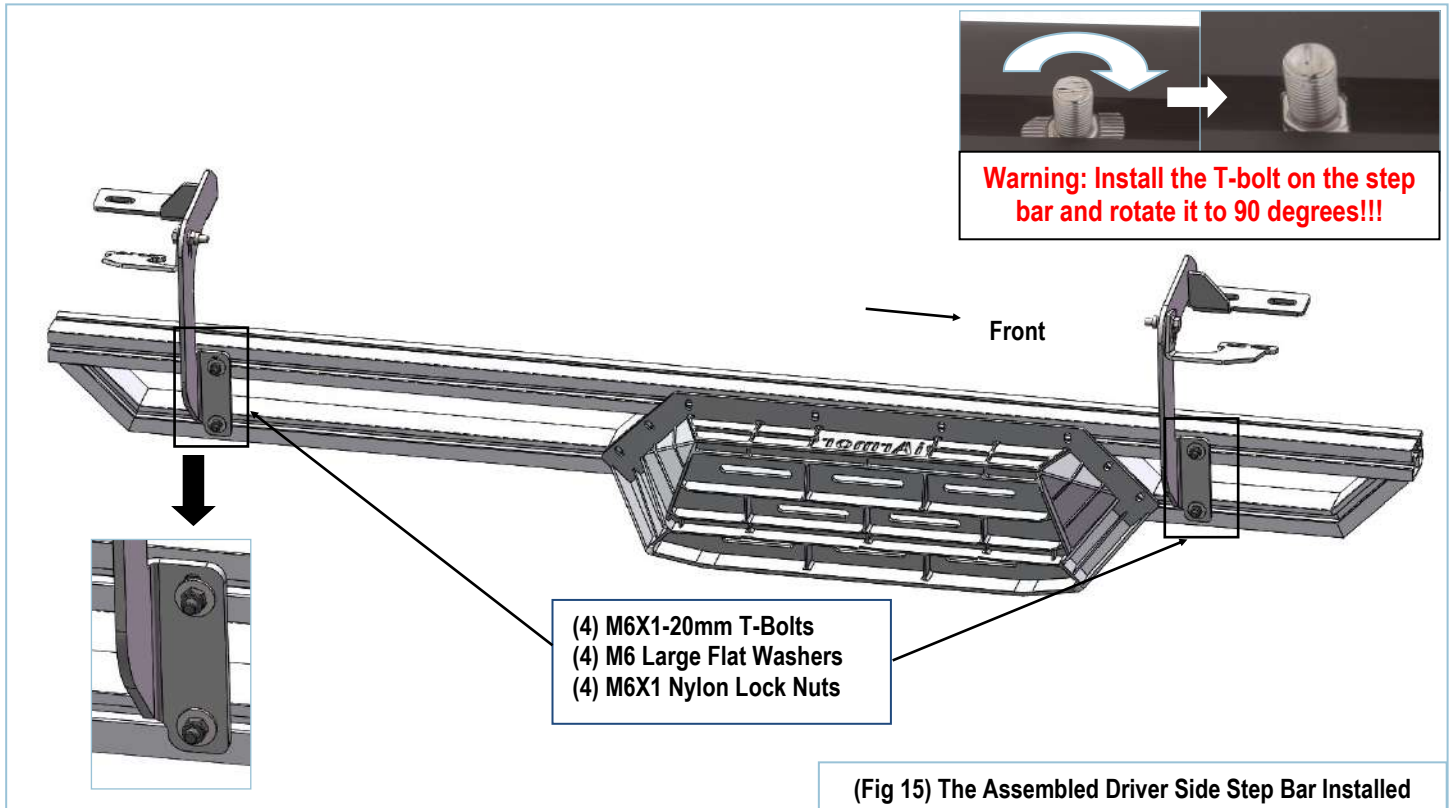
STEP 7

Properly level and adjust the Step Bar and fully tighten all hardware.

Models requiring drilling for driver side Support Brackets:

- Make sure the Step Bar is level to the vehicle. Adjust and tighten all mounting hardware.
- Line up the slots on the Support Brackets with the back of the pinch weld. Mark the location of the slots onto the pinch weld.
- Drill (2) 1/4" holes through the pinch weld for each Support Bracket. **IMPORTANT:** Do not drill too close to the bottom edge of the pinch weld. Adjust the Brackets as necessary to move the slots up the body panel away from the edge. Drill the holes toward the outside of the marked slots.
- Attach each Support Brackets to the pinch weld with (2) M6X1-25mm Hex Bolts, (4) M6 Large Flat Washers and (2) M6X1 Nylon Lock Nuts, (Fig 11). Check for level then fully tighten all hardware.

iArmor®



STEP 8

Move to the passenger side of the vehicle. Repeat **Steps 2-7** to install passenger side step bar.

Attention

Do periodic inspections to the installation to make sure that all hardware is secure and tight.

In order to protect your bars/boards, please use only mild soap/non-abrasive products for cleaning.