

iArmor®

IARMOR EDGE™

PART#: IA-N258

BEFORE INSTALLATION

REMOVE CONTENTS FROM BOX. VERIFY ALL PARTS ARE PRESENT. READ INSTRUCTIONS CAREFULLY BEFORE STARTING INSTALLATION. ASSISTANCE IS RECOMMENDED. THANK YOU FOR CHOOSING OUR PRODUCT!

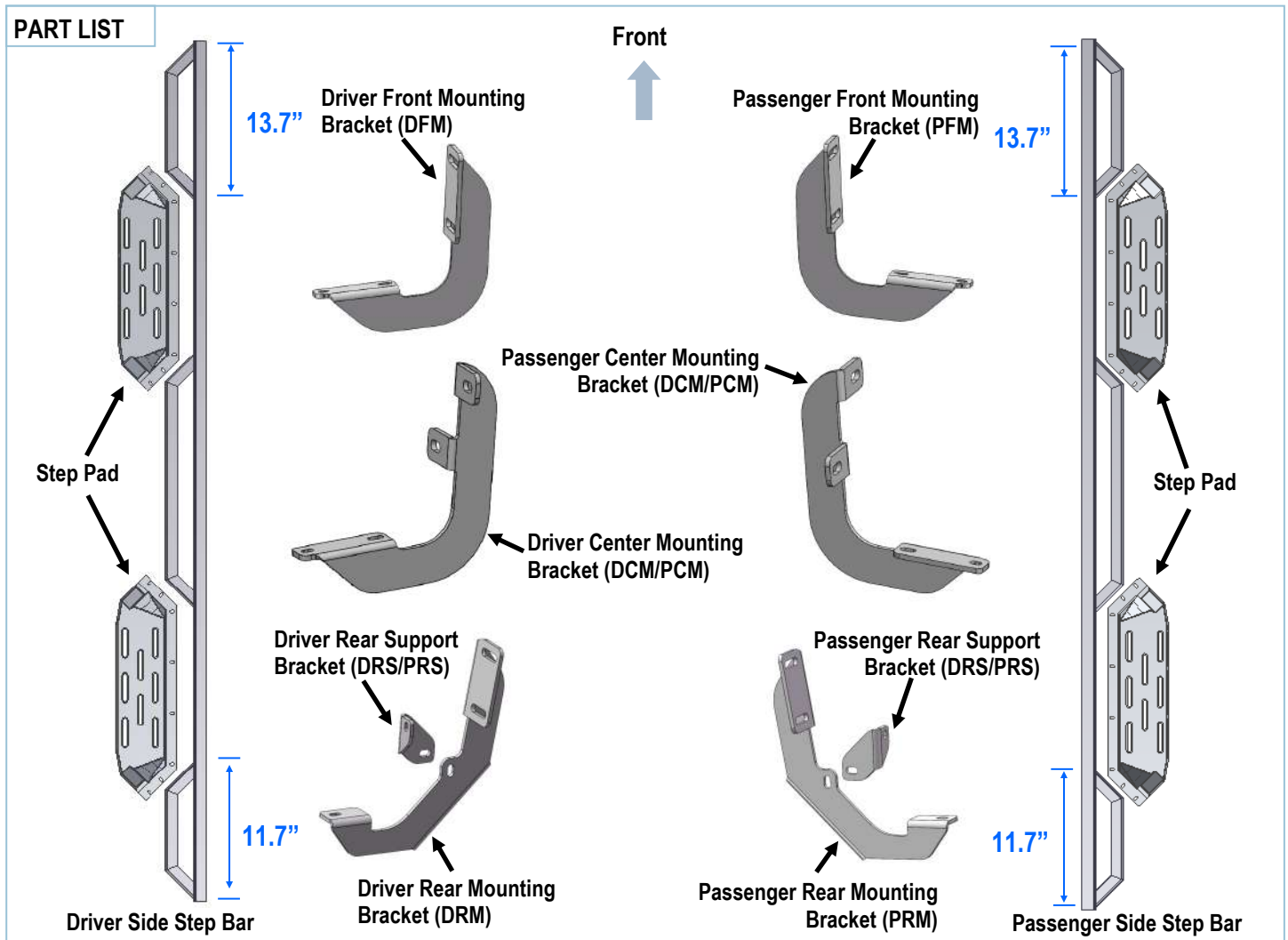
*DRILLING NOT REQUIRED

*TRIMMING NOT REQUIRED

Torque Value

Fastener Size	Tightening Torque (ft-lbs)	Required
6mm	6-7	√
8mm	16-18	√
10mm	31-32	X
12mm	56-58	X
14mm	92-94	X

PART LIST



Customer Support: info@iarmorauto.com

iArmor®



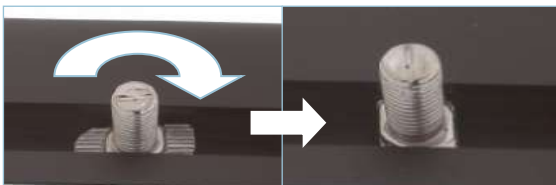
The instruction here is for your reference only. We strongly recommend the professional installer for best result. We are not responsible for any damage caused by the installation.

STEP 1

Install the Step Pads onto the step bars with (32) M6X1-20mm T-Bolts, (32) M6 Large Flat Washers and (32) M6X1 Nylon Lock Nuts.

IMPORTANT: Don't hit the step pad by any metal hammer within step pad installation, or the step pad will be damaged.

(8) M6X1-20 T-Bolts
(8) M6 Flat Washers
(8) M6 Nylon Lock Nuts

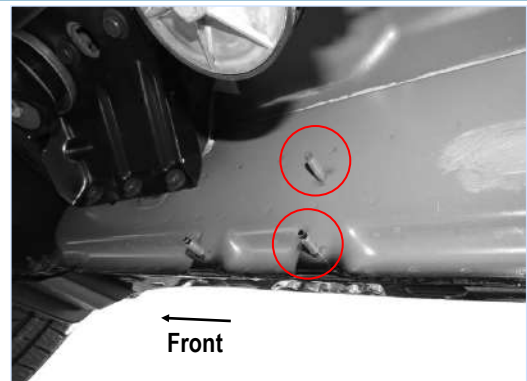


Note: Rotate 90° after inserting the T-Bolts into the Channel!!!

STEP 2

Start the installation under the passenger side of the vehicle. Locate the front (2) factory studs on the body panel, (Fig 1).

NOTE: Use a wire brush to remove paint buildup on the threaded studs before installing brackets.

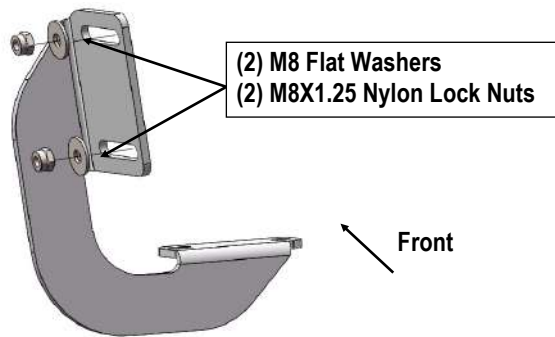


(Fig 1) Passenger Side Front Mounting Location

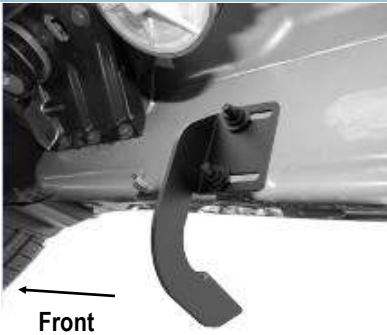
STEP 3

Select (1) Passenger Front Mounting Bracket (PFM). Attach the Bracket to the (2) factory studs with (2) M8 Flat Washers and (2) M8X1.25 Nylon Lock Nuts, (Fig 2 & 3). Leave brackets loose at this time.

iArmor[®]



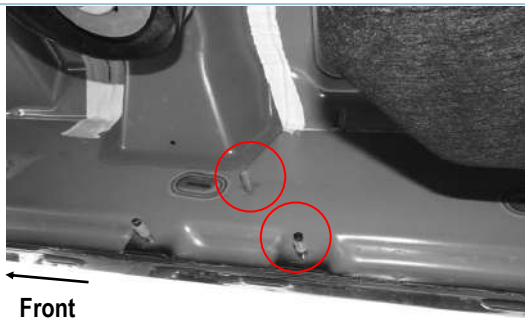
(Fig 2) Passenger Front Mounting Bracket Installation



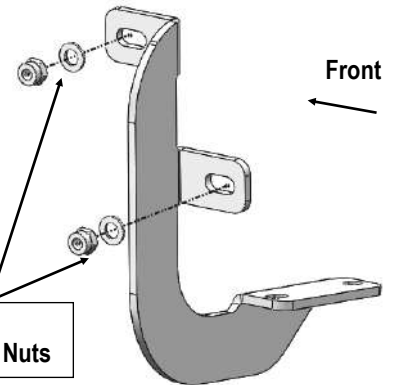
(Fig 3) Passenger Front Mounting Bracket Installed

STEP 4

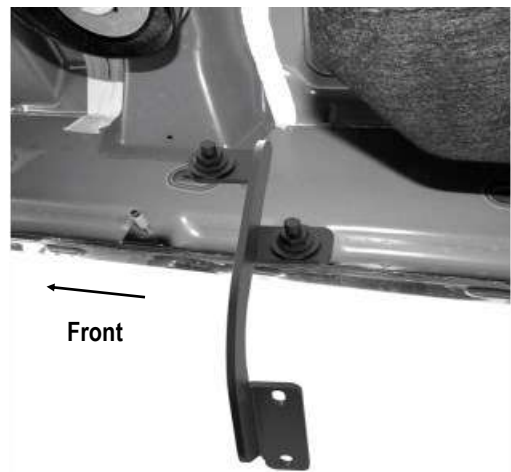
Move to the Passenger Center Mounting position (Fig 4), and repeat **step 3** to install the Passenger Center Mounting Bracket (PCM/DCM) (Fig 5 & 6).



(Fig 4) Passenger Side Center Mounting Location



(Fig 5) Passenger Center Mounting Bracket Installation

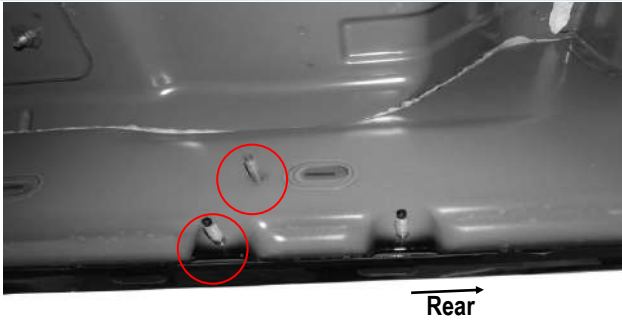


(Fig 6) Passenger Center Mounting Bracket Installed

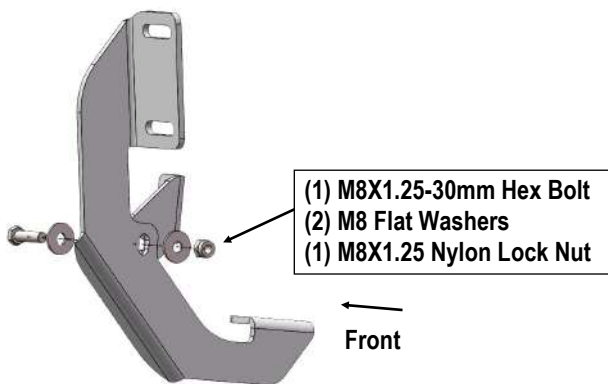
STEP 5

Move to the Passenger Rear Mounting position (Fig 7), attach the Passenger Rear Support Bracket (PRS) to the Passenger Rear Mounting Bracket (PRM) with (1) M8X1.25-30mm Hex Bolt, (2) M8 Flat Washers and (1) M8X1.25 Nylon Lock Nut, (Fig 8).

iArmor®



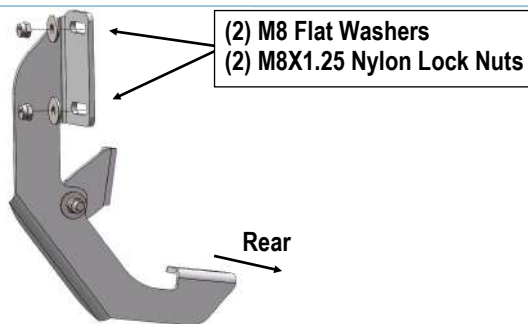
(Fig 7) Passenger Side Rear Mounting Location



(Fig 8) Passenger Side Rear Brackets Assembled

STEP 6

Repeat **step 3** to install the Passenger Rear Mounting Bracket (PRM) (Fig 9 & 10).



(Fig 9) Passenger Rear Mounting Bracket Located



(Fig 10) Passenger Side Rear Brackets Installed

STEP 7

Attach the assembled Step Bar to the Brackets using (4) M6X1-20mm T-Bolts, (2) M6X1-20mm Square Head Bolts, (6) M6 Flat Washers and (6) M6X1 Nylon Lock Nuts, (Fig 11). Do not FULLY tighten hardware at this time.

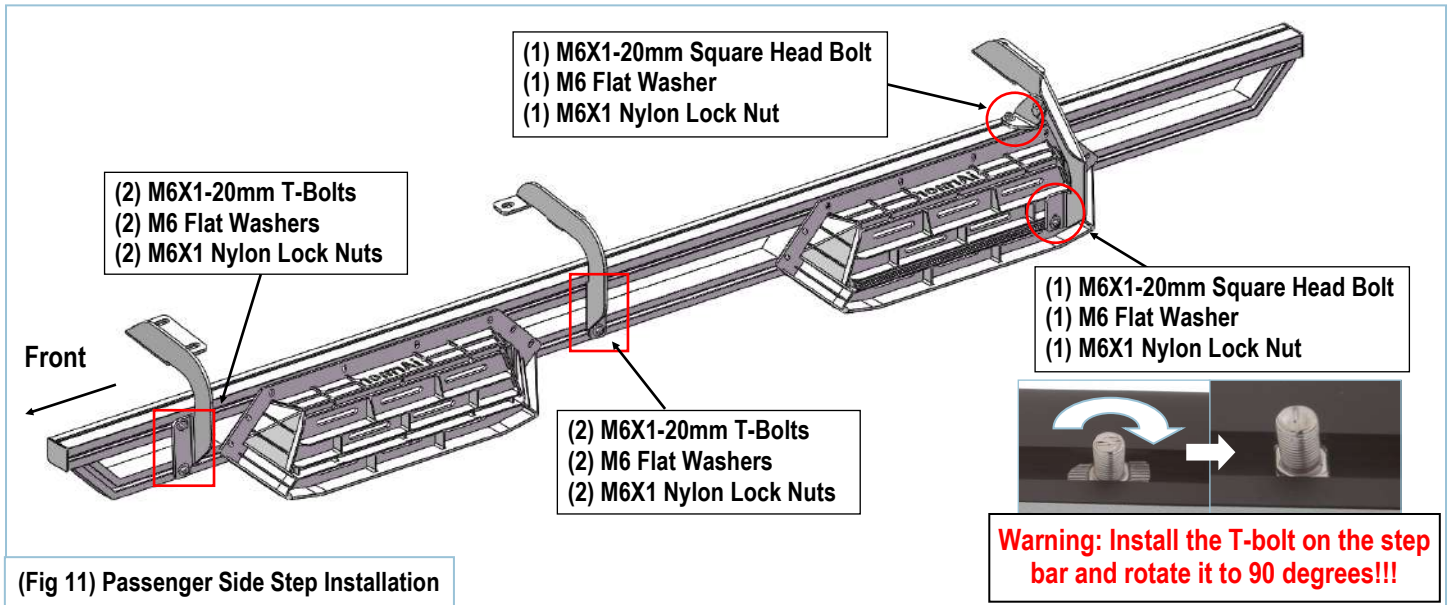
STEP 8

Level and adjust the Step Bar as necessary and fully tighten all hardware.

STEP 9

Move to the Driver side of the vehicle. Repeat **Steps 2-8** for the Driver Side Step Bar installation.

iArmor[®]



Attention

Do periodic inspections to the installation to make sure that all hardware is secure and tight.
In order to protect your bars/boards, please use only mild soap/non-abrasive products for cleaning.