

iArmor[®]

iArmor[®] by APS

PART#: IA-S159&S258

BEFORE INSTALLATION

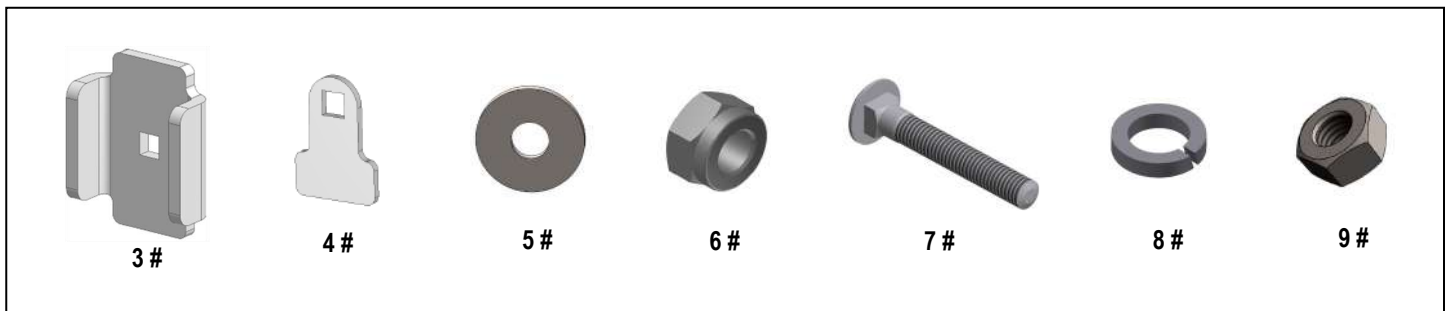
REMOVE CONTENTS FROM BOX. VERIFY ALL PARTS ARE PRESENT. READ INSTRUCTIONS CAREFULLY BEFORE STARTING INSTALLATION. ASSISTANCE IS RECOMMENDED. THANK YOU FOR CHOOSING OUR PRODUCT!

*ROCKER PANEL MOUNT

*NO DRILLING /TRIMMING REQUIRED

Fastener Size	Tightening Torque (ft-lbs)	Required
6mm	6-7	X
8mm	16-18	√
10mm	31-32	X
12mm	56-58	X
14mm	92-94	X

Item	QTY	Description	Item	QTY	Description
1#	3	Driver Front / Center & Passenger Rear Mounting Brackets	6#	12	M8X1.25 Nylon Lock Nuts
2#	3	Passenger Front / Center & Driver Rear Mounting Brackets	7#	6	M8X1.25-55mm Carriage Bolts
3#	6	U Brackets	8#	6	M8 Lock Washers
4#	12	Spacers	9#	6	M8X1.25 Hex Nuts
5#	18	M8 Large Flat Washers			

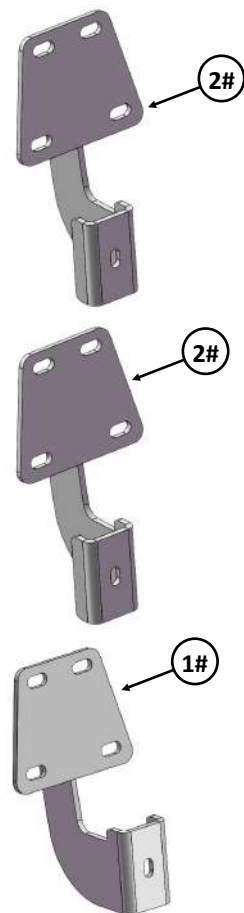
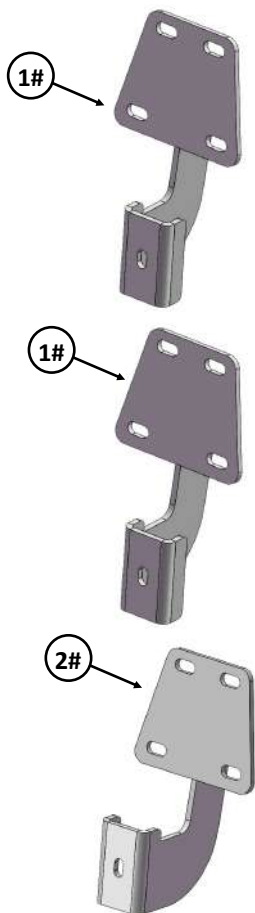
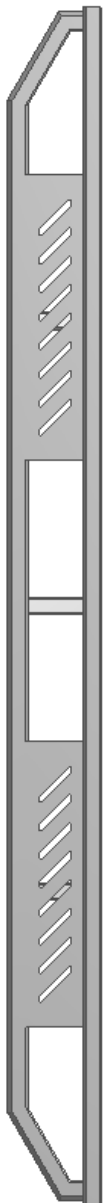


iArmor®

Driver

Front

Passenger

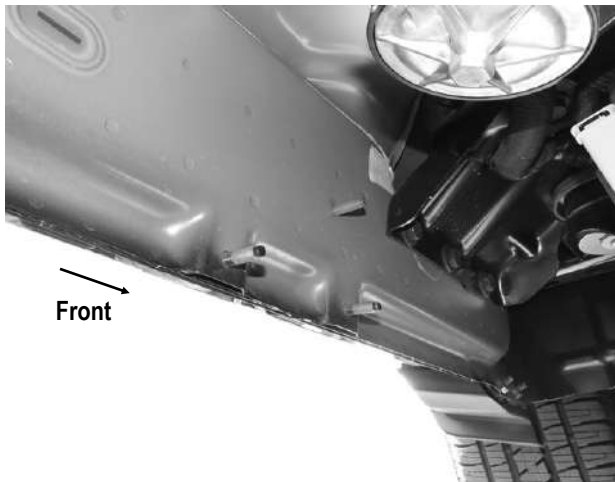


iArmor[®]

The instruction here is for your reference only. We strongly recommend the professional installer for best result. We are not responsible for any damage caused by the installation.

STEP 1

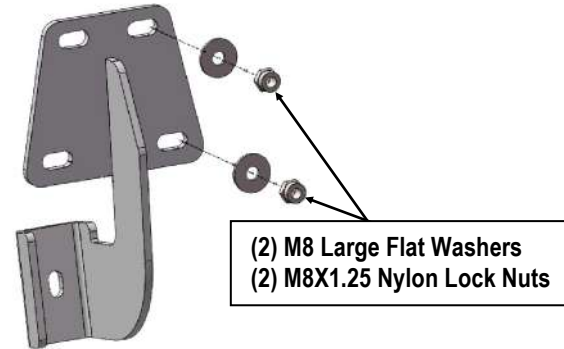
Start the installation under the driver side of the vehicle. Locate the front (2) factory studs along the inner side of the body panel, (Fig 1). **NOTE:** Chase threads on the studs first before installing Brackets to remove paint buildup.



(Fig 1) Driver Front Mounting Bracket Location Pictured

STEP 2

Select (1) Driver Front Mounting Bracket. **NOTE: Driver Front Mounting Bracket, Driver Center Mounting Bracket and Passenger Rear Mounting Bracket are universal.** Attach the Mounting Bracket to the (2) factory studs with (2) M8 Large Flat Washers and (2) M8X1.25 Nylon Lock Nuts (Fig 2). Leave bracket loose at this time.



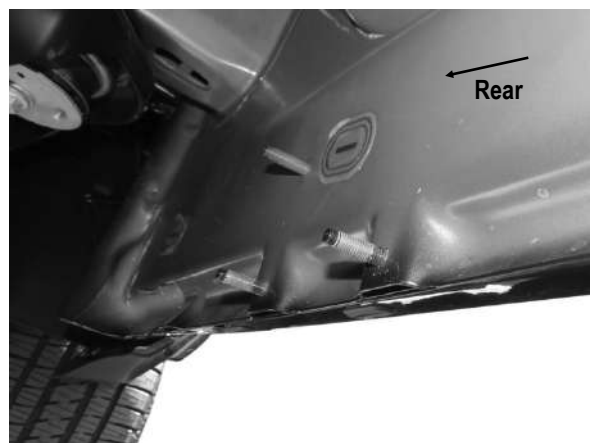
(Fig 2) Driver Front Mounting Bracket Installation

STEP 3

Move to Driver Side Center & Rear Mounting Locations (Figs 3 & 4). Repeat Steps 1-2 to install the Mounting Brackets. Leave brackets loose at this time.



(Fig 3) Driver Center Mounting Bracket Location Pictured



(Fig 4) Driver Rear Mounting Bracket Location Pictured

iArmor®

STEP 4

Once all (3) passenger side mounting brackets are installed, select and attach the Passenger Side Step Bar onto the Mounting Brackets with (3) U Brackets, (6) Spacers, (3) M8X1.25-55mm Carriage Bolts, (3) M8 Large Flat Washers, (3) M8 Lock Washers and (3) M8X1.25 Hex Nuts, (Fig 4). Do not fully tighten hardware at this time.

STEP 5

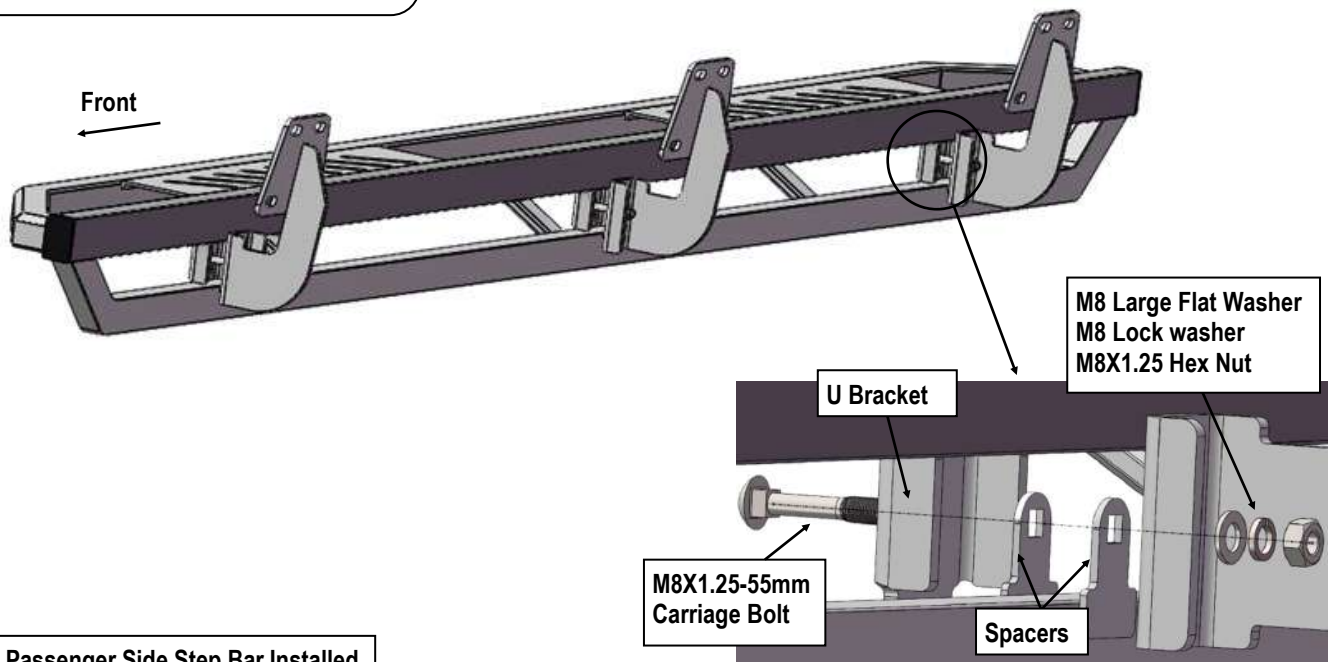
Properly level and adjust the Step Bar and fully tighten all hardware.

STEP 6

Move to the driver side of the vehicle. Repeat **Steps 1-5** to install the driver side step bar.

Installation completed.

NOTE: Torque all M8 X1.25-55mm Carriage Bolts to 16~18 lb-ft. Don't over tighten, or the aluminum square bars will be damaged by the brackets



(Fig 4) Passenger Side Step Bar Installed

Attention

Do periodic inspections to the installation to make sure that all hardware is secure and tight.
In order to protect your bars/boards, please use only mild soap/non-abrasive products for cleaning.