

iArmor®

IARMOR EDGE™

PART#: IA-N176

BEFORE INSTALLATION

REMOVE CONTENTS FROM BOX. VERIFY ALL PARTS ARE PRESENT. READ INSTRUCTIONS CAREFULLY BEFORE STARTING INSTALLATION. ASSISTANCE IS RECOMMENDED. THANK YOU FOR CHOOSING OUR PRODUCT!

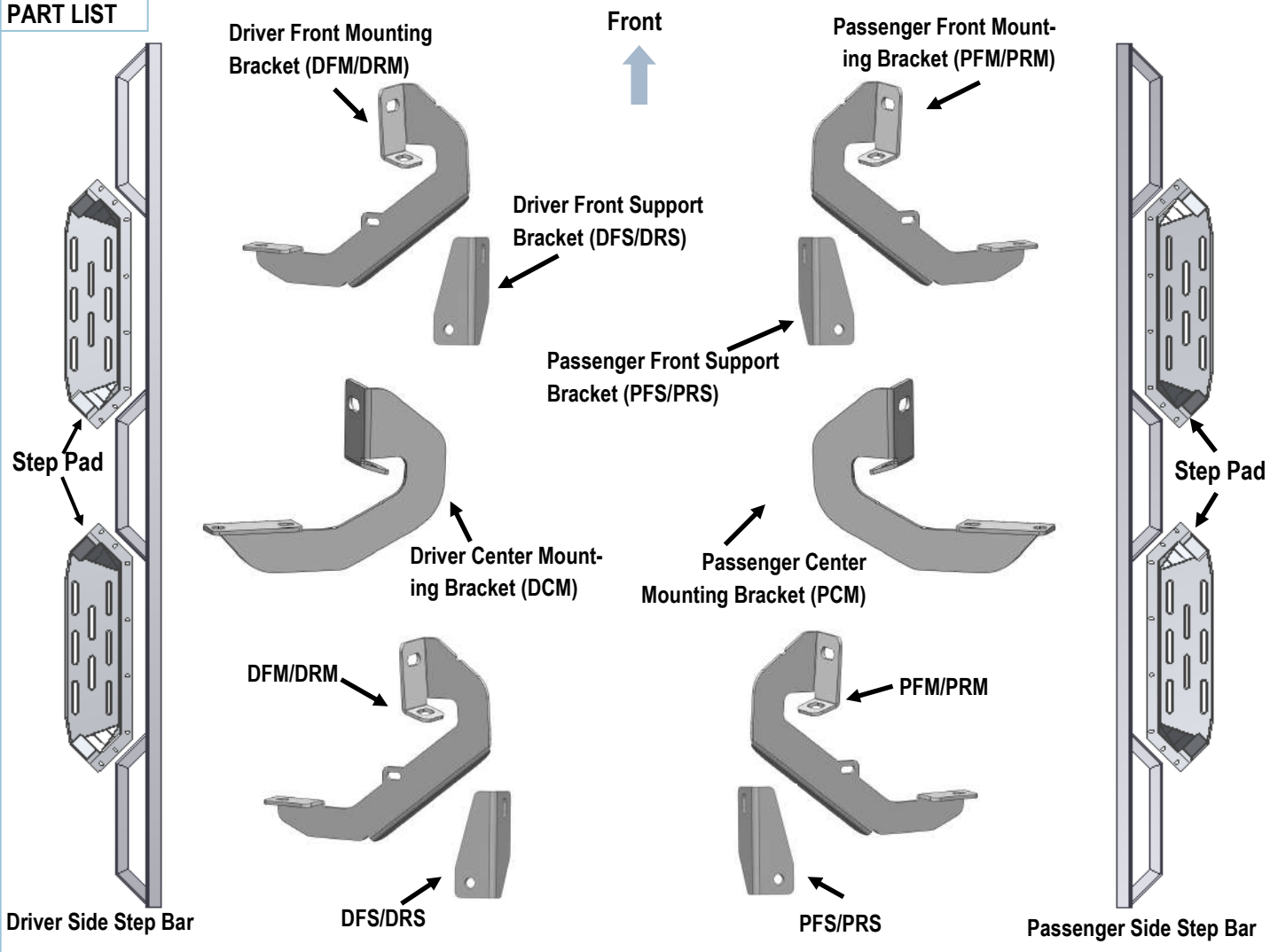
*DRILLING NOT REQUIRED

*TRIMMING NOT REQUIRED

Torque Value

Fastener Size	Tightening Torque (ft-lbs)	Required
6mm	6-7	√
8mm	16-18	√
10mm	31-32	X
12mm	56-58	X
14mm	92-94	X

PART LIST



Customer Support: info@iarmorauto.com

iArmor[®]

Hardware Package					
Item	QTY	Description	Item	QTY	Description
1#	10	M8X1.25-30mm Hex Bolts	7#	4	M8X1.25 Nylon Lock Nut
2#	6	M8X1.25-25mm Hex Bolts	8#	6	M8 Clip Nuts
3#	20	M8 Flat Washers	9#	36	M6X1-20mm T- Bolts
4#	6	M8 Large Flat Washers	10#	8	M6X1-20mm Square Head Bolts
5#	12	M8 Lock Washers	11#	44	M6 Large Flat Washers
6#	6	M8X1.25 Hex Nuts	12#	44	M6X1 Nylon Lock Nuts

1#	2#	3#	4#	5#	6#
7#	8#	9#	10#	11#	12#

iArmor[®]

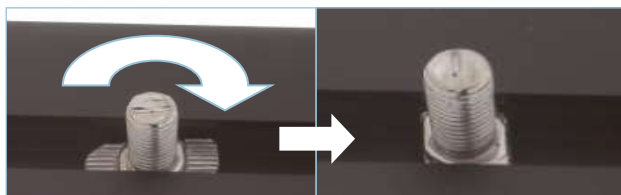
The instruction here is for your reference only. We strongly recommend the professional installer for best result. We are not responsible for any damage caused by the installation.

STEP 1

Install the Step Pads onto the step bars with (32) M6X1-20mm T-Bolts, (32) M6 Large Flat Washers and (32) M6X1 Nylon Lock Nuts.

IMPORTANT: Don't hit the step pad with any metal hammer within step pad installation, or the step pad will be damaged.

(8) M6X1-20 T-Bolts
(8) M6 Large Flat Washers
(8) M6X1 Nylon Lock Nuts

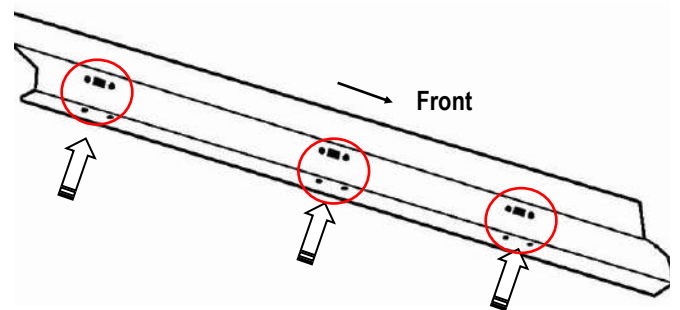


Note: Rotate 90° after inserting the T-Bolts into the Channel!!!

STEP 2

Starting on the driver side of the vehicle, locate the (2) holes on the pinch weld, (Fig 1). And then locate the rectangular opening with (2) small holes on the inner side of body panel directly above the (2) holes on the pinch weld, (Fig 1 & 2).

NOTE: The holes on the inner side of body panel may be covered with sealing tapes or insulations.

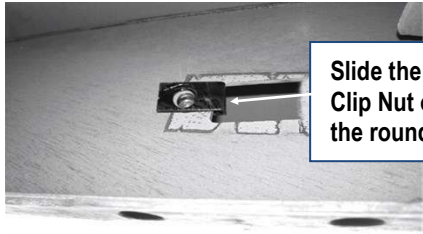


(Fig 1) Driver Side Mounting (3) Locations

STEP 3

Slide (1) M8 Clip Nut into the rectangular opening with the nut towards the inside. Line up the threaded nut on the clip with the round hole, (Fig 2).

iArmor®

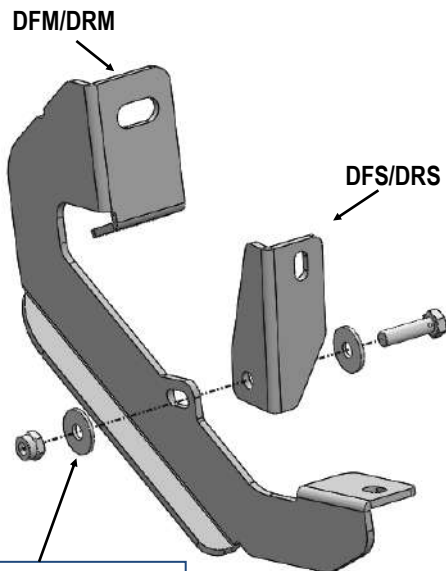


Slide the M8
Clip Nut onto
the round hole

(Fig 2) M8 Clip Nuts Installed

STEP 4

Assemble the Driver Front Mounting Bracket (DFM/DRM) and Driver Front Support Bracket (DFS/DRS) with (1) M8X1.25-30 Hex Bolt, (2) M8 Flat Washers and (1) M8X1.25 Nylon Lock Nut, (Fig 3). Do not fully tighten hardware at this time.



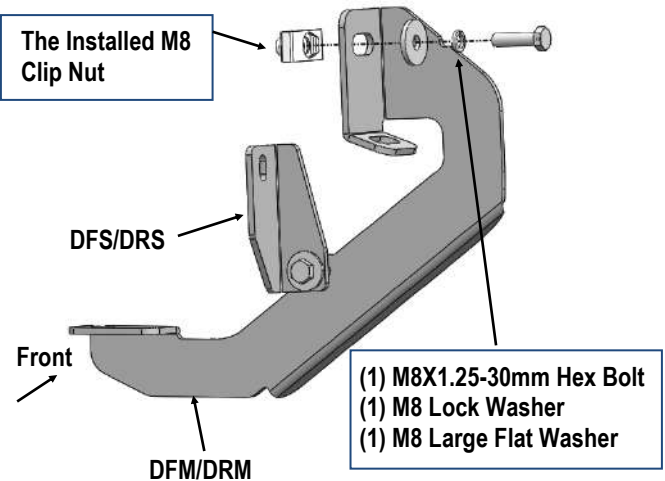
(1) M8X1.25-30mm Hex Bolt
(2) M8X1.25 Flat Washers
(1) M8X1.25 Nylon Lock Nut

(Fig 3) Driver Front Brackets Assembly

STEP 5

Attach the Assembled Driver Front Mounting Bracket to the (1) installed M8 Clip Nut on the body panel with the included (1) M8x1.25-30mm Hex Bolt, (1) M8 Lock Washer and (1) M8 Large Flat Washer, (Fig 4). Do not fully tighten hardware at this time.

NOTE: Depending on the model/year of the vehicle, the brake cable may be run on the inside or outside of the Bracket.



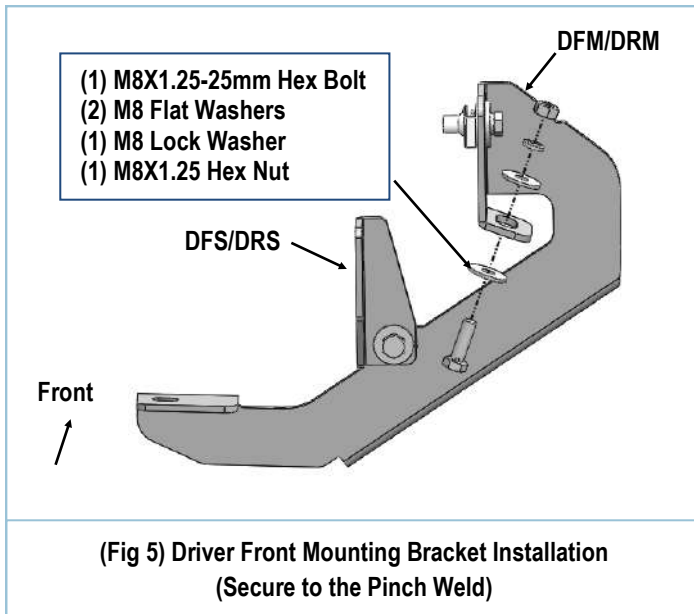
(Fig 4) Driver Front Mounting Bracket Installation

STEP 6

Align the lower hole on the Front Mounting Bracket with the (1) hole on the pinch weld. Secure the Assembled Driver Front Mounting Bracket to the pinch weld with (1) M8x1.25-25mm Hex Bolt, (2) M8 Flat Washers, (1) M8 Lock Washer and (1) M8X1.25 Hex Nut, (Fig 5). Do not fully tighten hardware at this time.

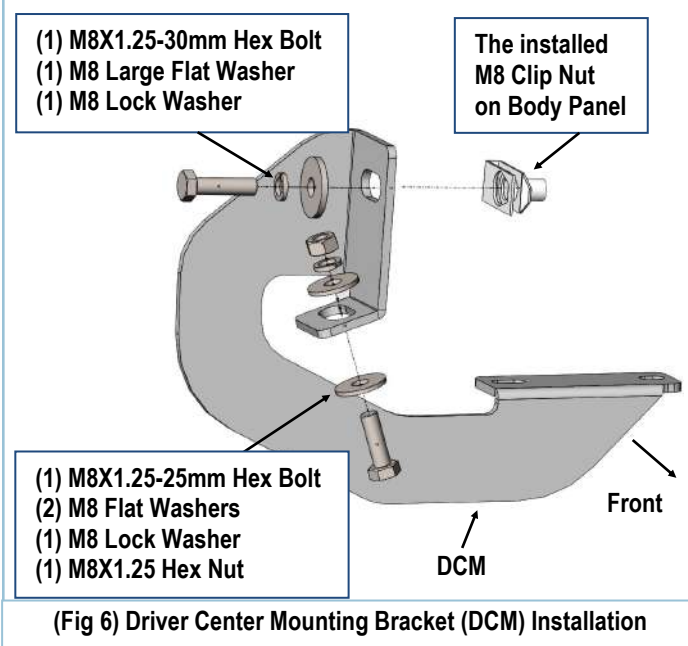
NOTE: Insert the bolt up from the bottom of the pinch weld and through the Bracket.

iArmor®



STEP 7

Move to the Driver Side Center Mounting location, (Fig 1). Repeat **Steps 5 & 6** to install the Driver Center Mounting Bracket (DCM), (Fig 6). Do not tighten hardware at this time.



STEP 8

Move to the Driver Side Rear Mounting Location. Repeat **Steps 3-6** to install the Driver Side Rear Brackets. Do not fully tighten hardware at this time.

STEP 9

Once all (3) driver side mounting brackets are installed, attach the Assembled Driver Side Step Bar onto the brackets with (2) M6X1-20mm T-Bolts, (4) M6X1-20mm Square Head Bolts, (6) M6 Large Flat Washers and (6) M6X1 Nylon Lock Nuts, (Fig 7). Do not fully tighten hardware.

STEP 10

Properly level and adjust the Step Bar and fully tighten all hardware.

STEP 11

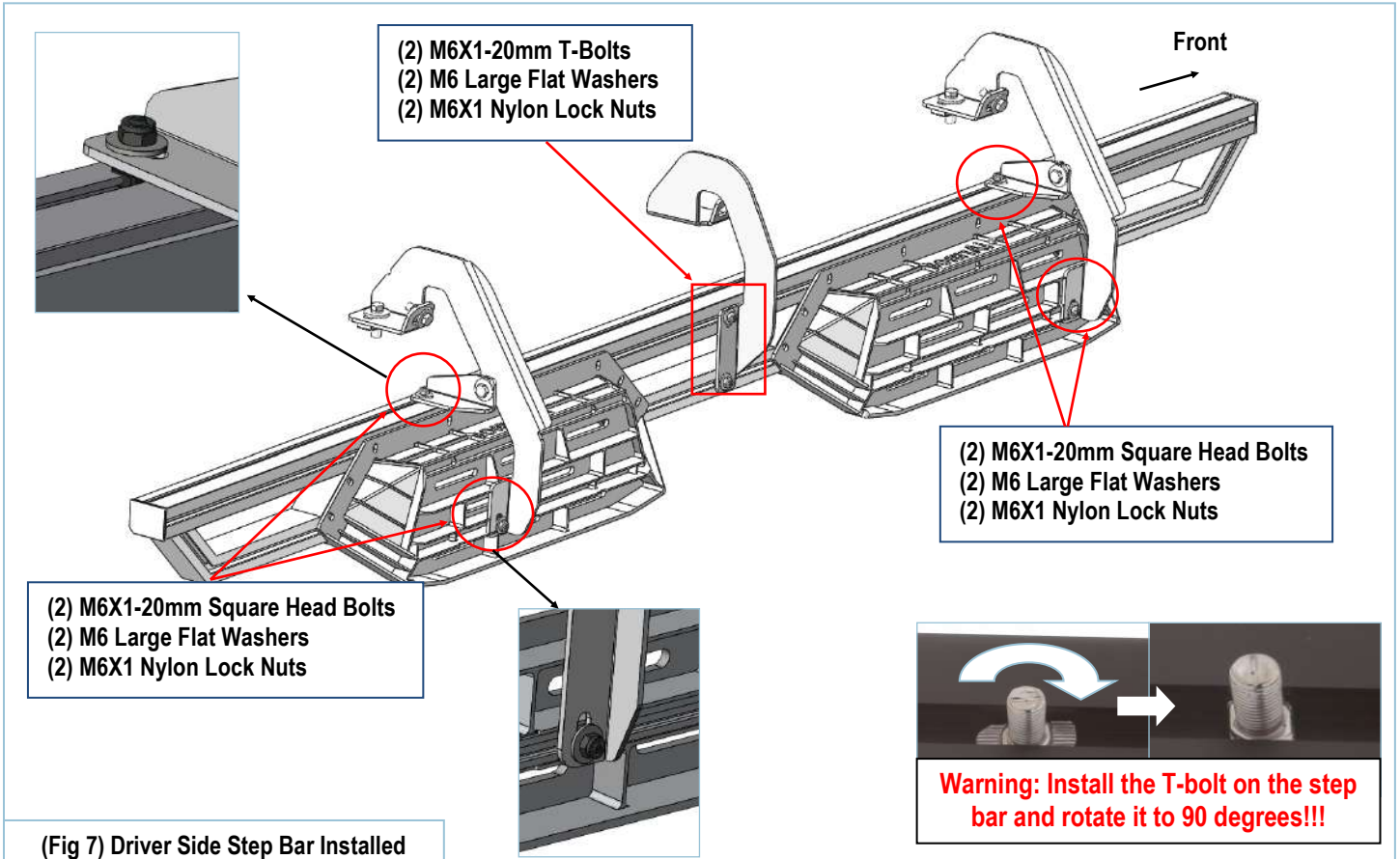
Move to the passenger side of the vehicle. Repeat **Steps 2-10** to install passenger side step bar.

Attention

Do periodic inspections to the installation to make sure that all hardware is secure and tight.

In order to protect your bars/boards, please use only mild soap/non-abrasive products for cleaning.

iArmor[®]



(Fig 7) Driver Side Step Bar Installed