

iArmor®

IARMOR EDGE™

PART#: IA-N177

BEFORE INSTALLATION

REMOVE CONTENTS FROM BOX. VERIFY ALL PARTS ARE PRESENT. READ INSTRUCTIONS CAREFULLY BEFORE STARTING INSTALLATION. ASSISTANCE IS RECOMMENDED. THANK YOU FOR CHOOSING OUR PRODUCT!

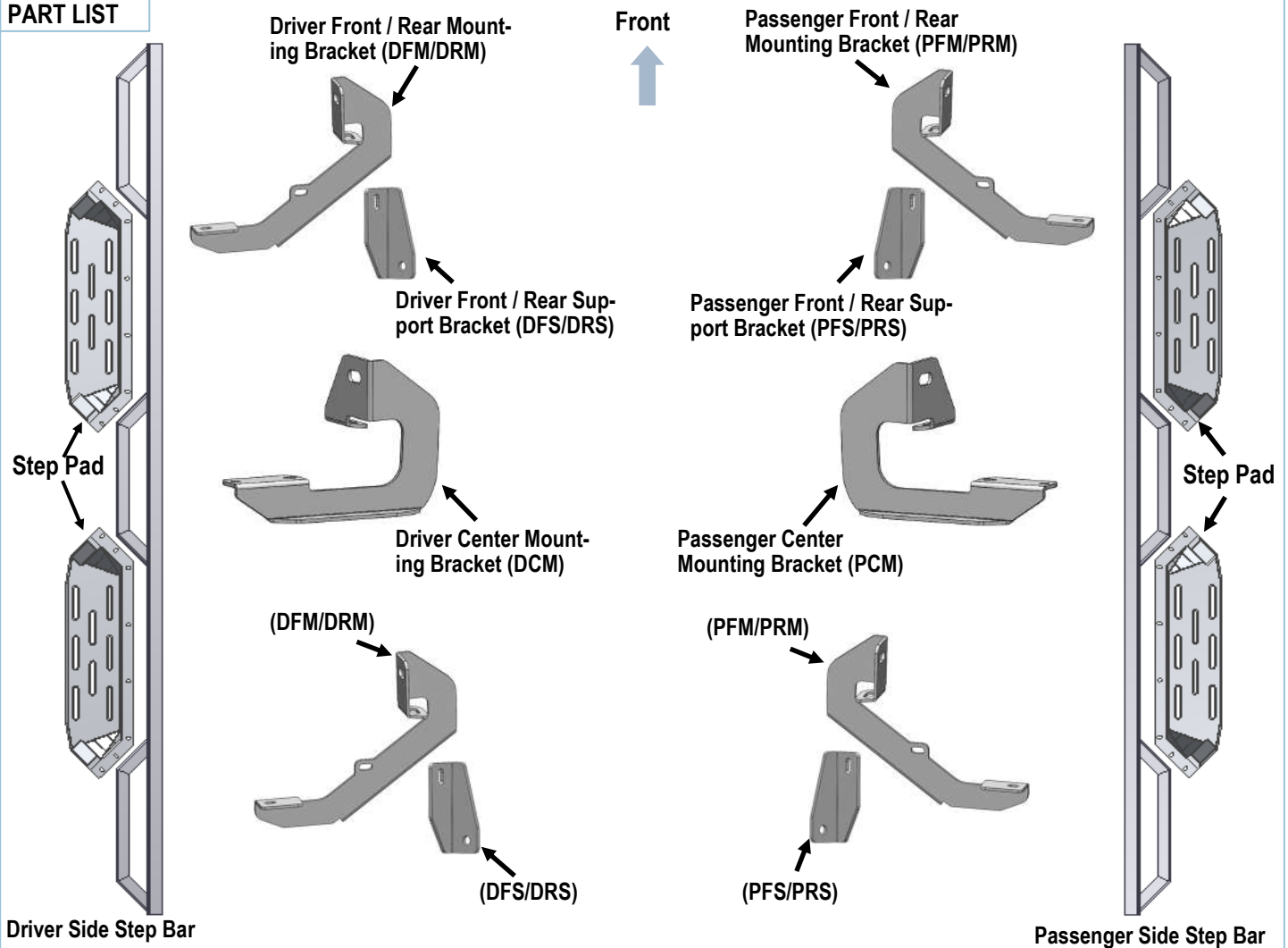
*ROCKER PANEL MOUNT

*DRILLING/TRIMMING NOT REQUIRED

Torque Value

Fastener Size	Tightening Torque (ft-lbs)	Required
6mm	6-7	√
8mm	16-18	√
10mm	31-32	X
12mm	56-58	X
14mm	92-94	X

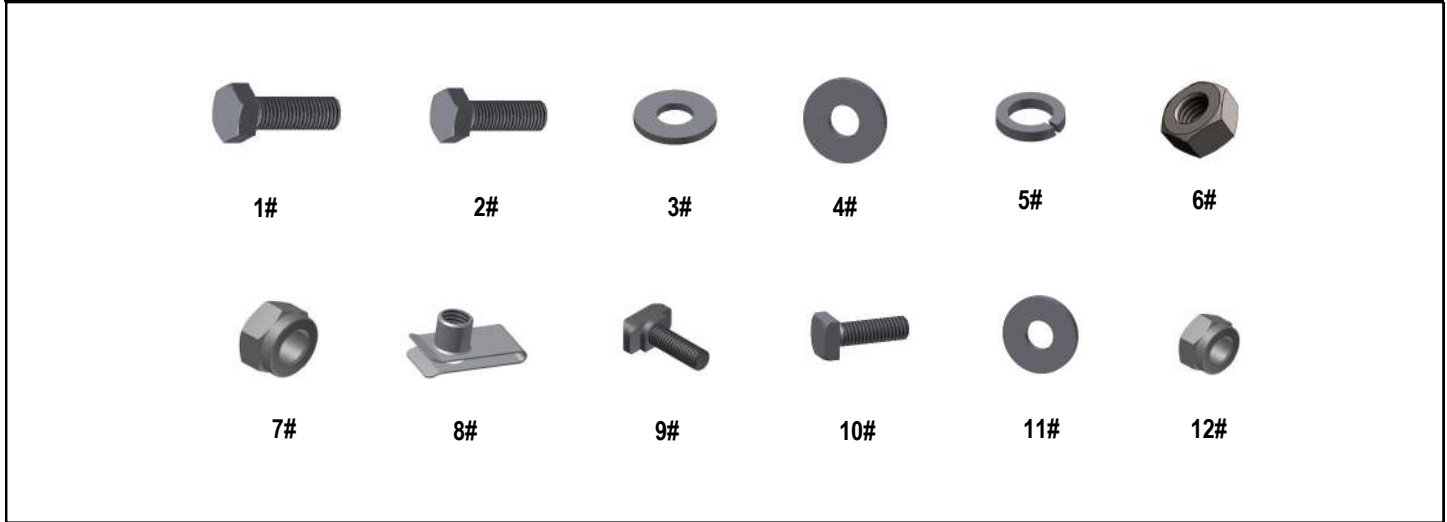
PART LIST



Customer Support: info@iarmorauto.com

iArmor®

Hardware Package					
Item	QTY	Description	Item	QTY	Description
1#	10	M8X1.25-30mm Hex Bolts	7#	4	M8X1.25 Nylon Lock Nuts
2#	6	M8X1.25-25mm Hex Bolts	8#	6	M8 Clip Nuts
3#	20	M8 Flat Washers	9#	36	M6X1-20mm T-Bolts
4#	6	M8 Large Flat Washers	10#	8	M6X1-20mm Square Head Bolts
5#	12	M8 Lock Washers	11#	44	M6 Large Flat Washers
6#	6	M8X1.25 Hex Nuts	12#	44	M6X1 Nylon Lock Nuts



iArmor[®]

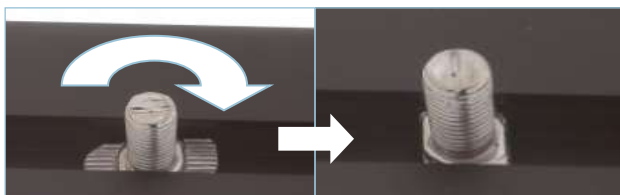
The instruction here is for your reference only. We strongly recommend the professional installer for best result. We are not responsible for any damage caused by the installation.

STEP 1

Install the Step Pads onto the step bars with (32) M6X1-20mm T-Bolts, (32) M6 Large Flat Washers and (32) M6X1 Nylon Lock Nuts.

IMPORTANT: Don't hit the step pad with any metal hammer within step pad installation, or the step pad will be damaged.

- (8) M6X1-20 T-Bolts
- (8) M6 Large Flat Washers
- (8) M6X1 Nylon Lock Nuts



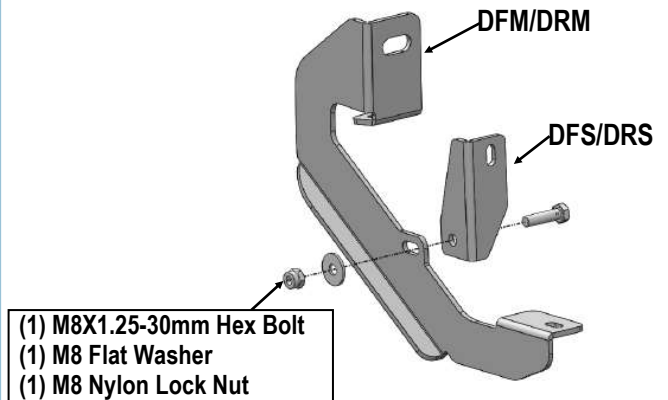
Note: Rotate 90° after inserting the T-Bolts into the Channel!!!

STEP 2

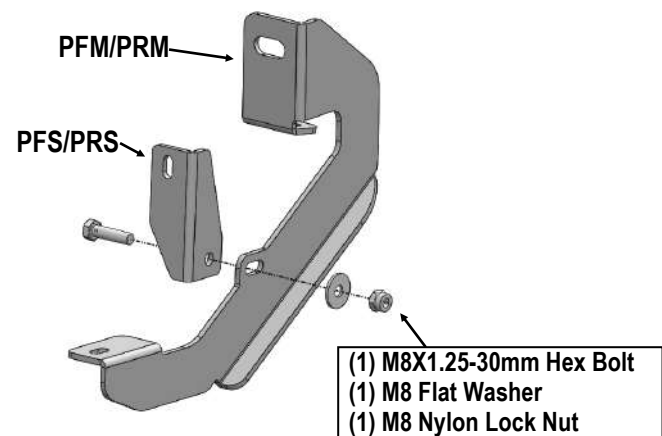
Assemble following mounting brackets and support brackets together with (1) M8X1.25-30mm Hex Bolt, (1) M8 Flat Washer, (1) M8 Nylon Lock Nut:

- (1) Driver Front / Rear Mounting Bracket (**DFM/DRM**) & Driver Front / Rear Support Bracket (**DFS/DRS**), (Fig 1).
- (2) Passenger Front / Rear Mounting Bracket (**PFM/PRM**) & Passenger Front / Rear Support Bracket (**PFS/PRS**), (Fig 2).

Note: Driver Front and Driver Rear Mounting Brackets are universal.



(Fig 1) Driver Front / Rear Brackets Assembly



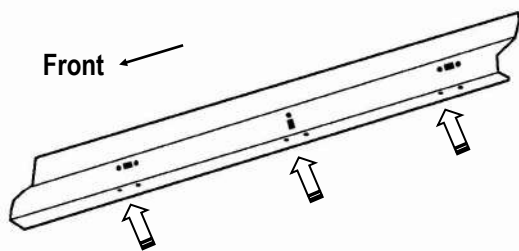
(Fig 2) Passenger Front / Rear Brackets Assembly

iArmor®

STEP 3

Starting on the passenger side of the vehicle, locate the (2) holes on the pinch weld, **(Fig 3)**. Next locate the rectangular opening and (2) small holes in the inner body panel directly above the holes in the pinch weld, **(Fig 3 & 4)**. Only (1) hole on the pinch weld and (1) small hole on the inner body panel will be used. It will be helpful for Identifying the mounting locations by holding up Brackets in place.

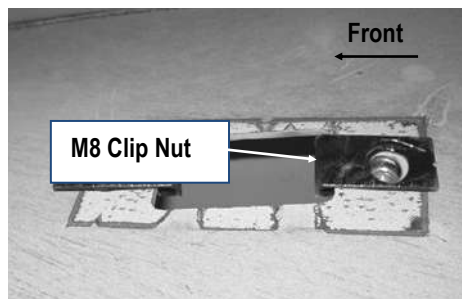
NOTE: The holes on the inner panel may be covered with sealing tape or insulation, remove sealing tape if equipped.



(Fig 3) Passenger Side Mounting Locations

STEP 4

Slide (1) M8 Clip Nut into the rectangular opening with the nut towards the inside. Line up the threaded nut on the clip with the round hole, **(Fig 4)**.

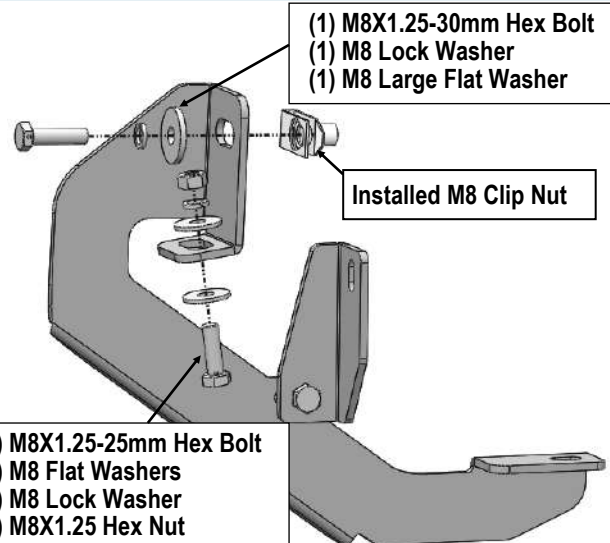


**(Fig 4) M8 Clip Nut Installed
(On Passenger Side Front Mounting Location)**

STEP 5

Attach the Assembled Passenger Front Mounting Bracket to the installed M8 Clip Nut with (1) M8X1.25-30mm Hex Bolt, (1) M8 Lock Washer and (1) M8 Large Flat Washer, **(Fig 5)**. Align the bottom hole on the front Bracket with the (1) hole on the pinch weld. Secure the Bracket to the pinch weld using the included (1) M8X1.25-25mm Hex Bolt, (2) M8 Flat Washers, (1) M8 Lock Washer and (1) M8X1.25 Hex Nut, **(Fig 5)**.

NOTE: Insert the bolts up from the bottom of the pinch weld and through the Bracket. Do not tighten hardware at this time.

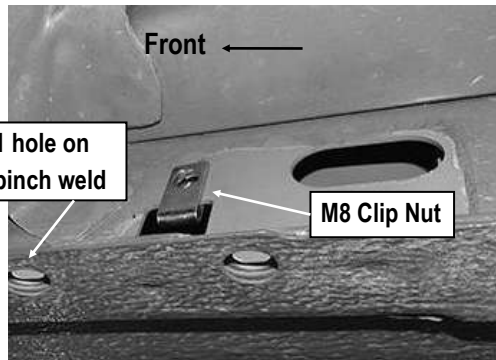


(Fig 5) Passenger Front Mounting Bracket Installation

STEP 6

Move to the Passenger Side Center Mounting Location of the vehicle, **(Fig 6)**. Insert (1) M8 Clip Nut into the rectangular opening and line up with the single small round hole in the body panel. Then locate the (1) hole on the pinch weld. It will be helpful for Identifying the mounting locations by holding up the Mounting Bracket **(PCM)** in place.

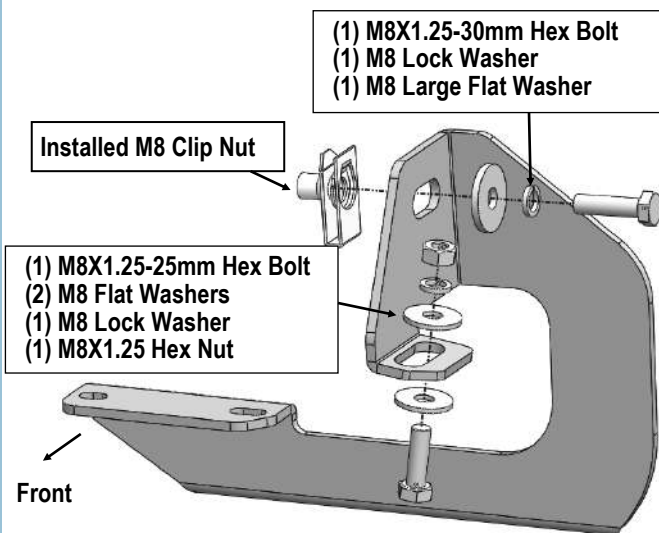
iArmor®



(Fig 6) Passenger Side Center Mounting Location

STEP 7

Select and attach the Passenger Center Mounting Bracket (**PCM**) to the installed M8 Clip Nut with (1) M8X1.25-30mm Hex Bolt, (1) M8 Lock Washer and (1) M8 Large Flat Washer, (**Fig 7**). Line up the lower hole on the Bracket with the mounting hole on the pinch weld. Bolt the Bracket to the pinch weld with (1) M8X1.25-25mm Hex Bolt, (2) M8 Flat Washers, (1) M8 Lock Washer and (1) M8X1.25 Hex Nut. Do not fully tighten hardware at this time. **NOTE:** The cradle on the center mounting Bracket will face the front of the vehicle.



(Fig 7) Passenger Center Mounting Bracket Installation

STEP 8

Continue moving to the Passenger Side Rear Mounting location (**Fig 3**). Repeat **Steps 2-5** for Passenger Rear Mounting Bracket (**PFM/PRM**) installation .

STEP 9

Once all (3) Mounting Brackets have been installed, attach the Assembled Passenger Side Step Bar onto the brackets with (2) M6X1-20mm T-Bolts, (4) M6X1-20mm Square Head Bolts, (6) M6 Large Flat Washers and (6) M6X1 Nylon Lock Nuts, (**Fig 8**). Do not fully tighten hardware at this time.

STEP 10

Level and adjust the Assembled Step Bar and tighten all hardware.

STEP 11

Move to the other side of the vehicle. Repeat **Steps 1—10** for other side Step Bar installation.

Attention

Do periodic inspections to the installation to make sure that all hardware is secure and tight.

In order to protect your bars/boards, please use mild soap/non-abrasive products for cleaning only.

iArmor[®]

(Fig 8) Passenger Side Step Installation

