

## IARMOR EDGE™

PART#: IA-N188

### BEFORE INSTALLATION

REMOVE CONTENTS FROM BOX. VERIFY ALL PARTS ARE PRESENT. READ INSTRUCTIONS CAREFULLY BEFORE STARTING INSTALLATION. ASSISTANCE IS RECOMMENDED. THANK YOU FOR CHOOSING OUR PRODUCT!

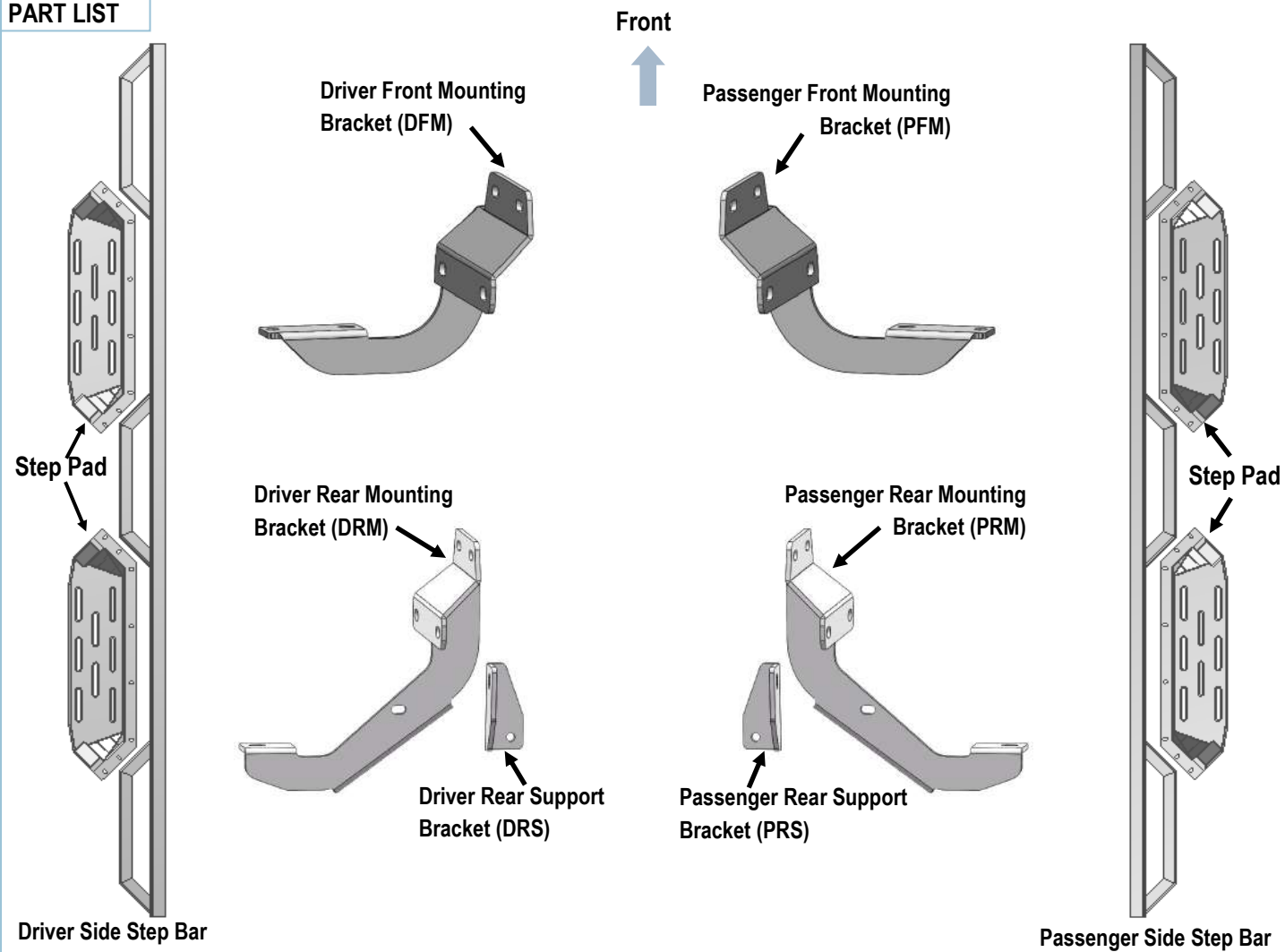
**\*DRILLING NOT REQUIRED**

**\*TRIMMING NOT REQUIRED**

### Torque Value

Fastener Size	Tightening Torque (ft-lbs)	Required
6mm	6-7	√
8mm	16-18	√
10mm	31-32	X
12mm	56-58	X
14mm	92-94	X









### PART LIST



# iArmor<sup>®</sup>

Hardware Package					
Item	QTY	Description	Item	QTY	Description
1#	12	M8 Plastic Washers	5#	36	M6X1-20 T- Bolts
2#	2	M8X1.25-30 Hex Bolts	6#	4	M6X1-20 Square Head Bolts
3#	16	M8 Flat Washers	7#	40	M6 Large Flat Washers
4#	14	M8X1.25 Nylon Lock Nuts	8#	40	M6X1 Nylon Lock Nuts

							
1#	2#	3#	4#	5#	6#	7#	8#

# iArmor®

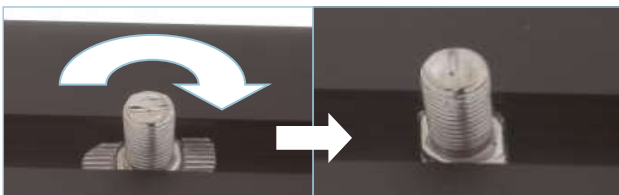
The instruction here is for your reference only. We strongly recommend the professional installer for best result. We are not responsible for any damage caused by the installation.

## STEP 1

Install the Step Pads onto the step bars with (32) M6X1-20 T-Bolts, (32) M6 Large Flat Washers and (32) M6X1 Nylon Lock Nuts.

**IMPORTANT:** Don't hit the step pad with any metal hammer within step pad installation, or the step pad will be damaged.

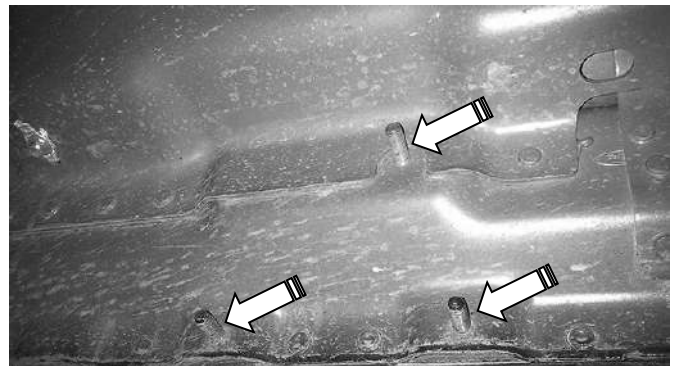
(8) M6X1-20 T-Bolts  
(8) M6 Large Flat Washers  
(8) M6X1 Nylon Lock Nuts



**Note: Rotate 90° after inserting the T-Bolts into the Channel!!!**

## STEP 2

Start the installation from the driver/left side of the vehicle. Locate the driver side front mounting location on the inner side of the body panel, (Fig 1).

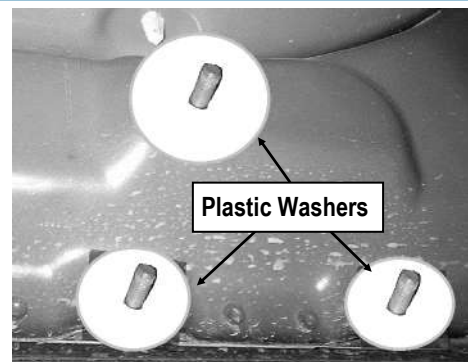


(Fig 1) Driver Side Mounting Location

## STEP 3

Slide (3) Plastic Washers over the (3) factory mounting studs on the body panel, (Fig 2).

**IMPORTANT:** The Plastic Washers are designed to prevent corrosion between the rocker panel and the steel mounting brackets.

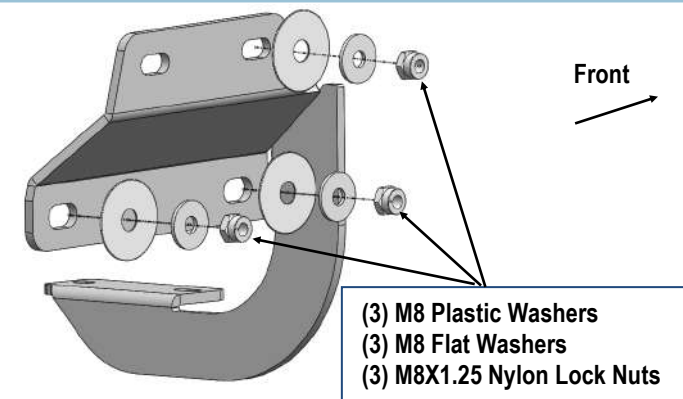


(Fig 2) Thread Plastic Washers Onto (3) Mounting Studs

# iArmor®

## STEP 4

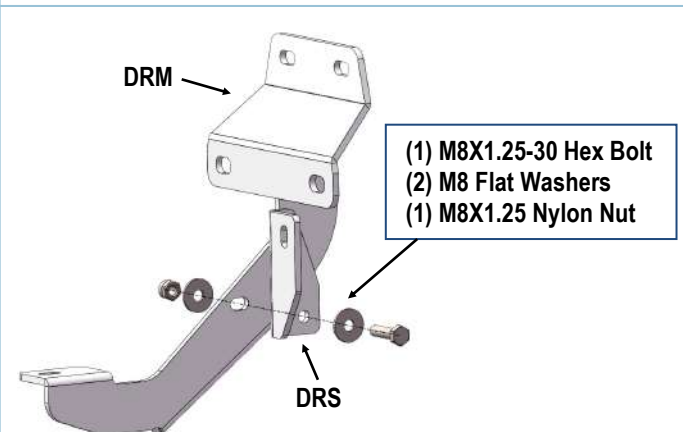
Attach the Driver Front Mounting Bracket to the (3) factory studs with (3) M8 Flat Washers and (3)M8X1.25 Nylon Lock Nuts, (Fig 3). Leave brackets loose at this time.



(Fig 3) Driver Front Mounting Bracket Installation

## STEP 5

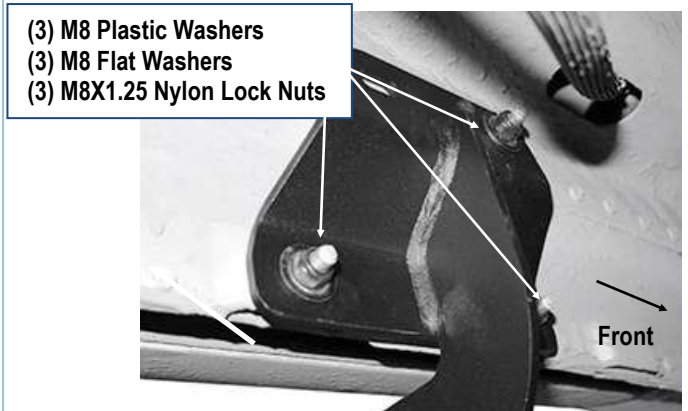
Assemble Driver Side Rear Brackets (Fig 4). Do not fully tighten hardware at this time.



(Fig 4) Driver Side Rear Brackets Assembly

## STEP 6

Repeat **Steps 3&4** to install the Driver Rear Mounting Bracket to the factory studs (Fig 5). Do not fully tighten hardware at this time.



(Fig 5) Driver Rear Mounting Bracket Installed

## STEP 7

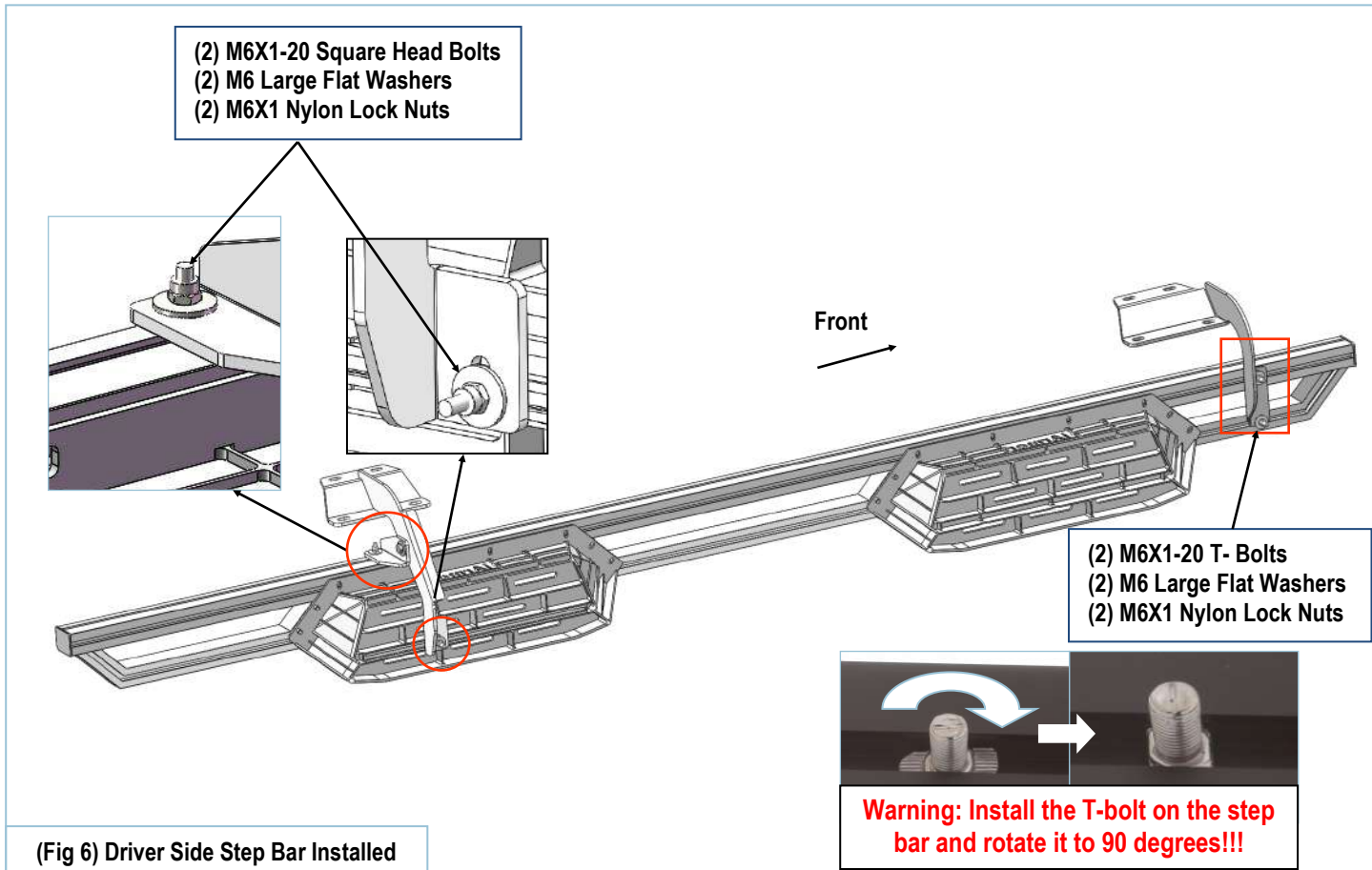
Once (2) driver side mounting brackets are installed, attach the Assembled Driver Side Step Bar onto the Mounting Brackets with (2) M6X1-20 Square Head Bolts, (2) M6X1-20 T- Bolts, (4) M6 Large Flat Washers and (4) M6x1 Nylon Lock Nuts, (Fig 6). Do not fully tighten hardware at this time.

## STEP 8

Properly level and adjust the Step Bar and fully tighten all hardware.

Move to the Passenger side of the vehicle. Repeat **Steps 1-7** to install Passenger side step bar.

# iArmor®



## Attention

Do periodic inspections to the installation to make sure that all hardware is secure and tight. In order to protect your bars/boards, please use only mild soap/non-abrasive products for cleaning.