

IARMOR EDGE™

PART#: IA-N044

BEFORE INSTALLATION

REMOVE CONTENTS FROM BOX. VERIFY ALL PARTS ARE PRESENT. READ INSTRUCTIONS CAREFULLY BEFORE STARTING INSTALLATION. ASSISTANCE IS RECOMMENDED. THANK YOU FOR CHOOSING OUR PRODUCT!

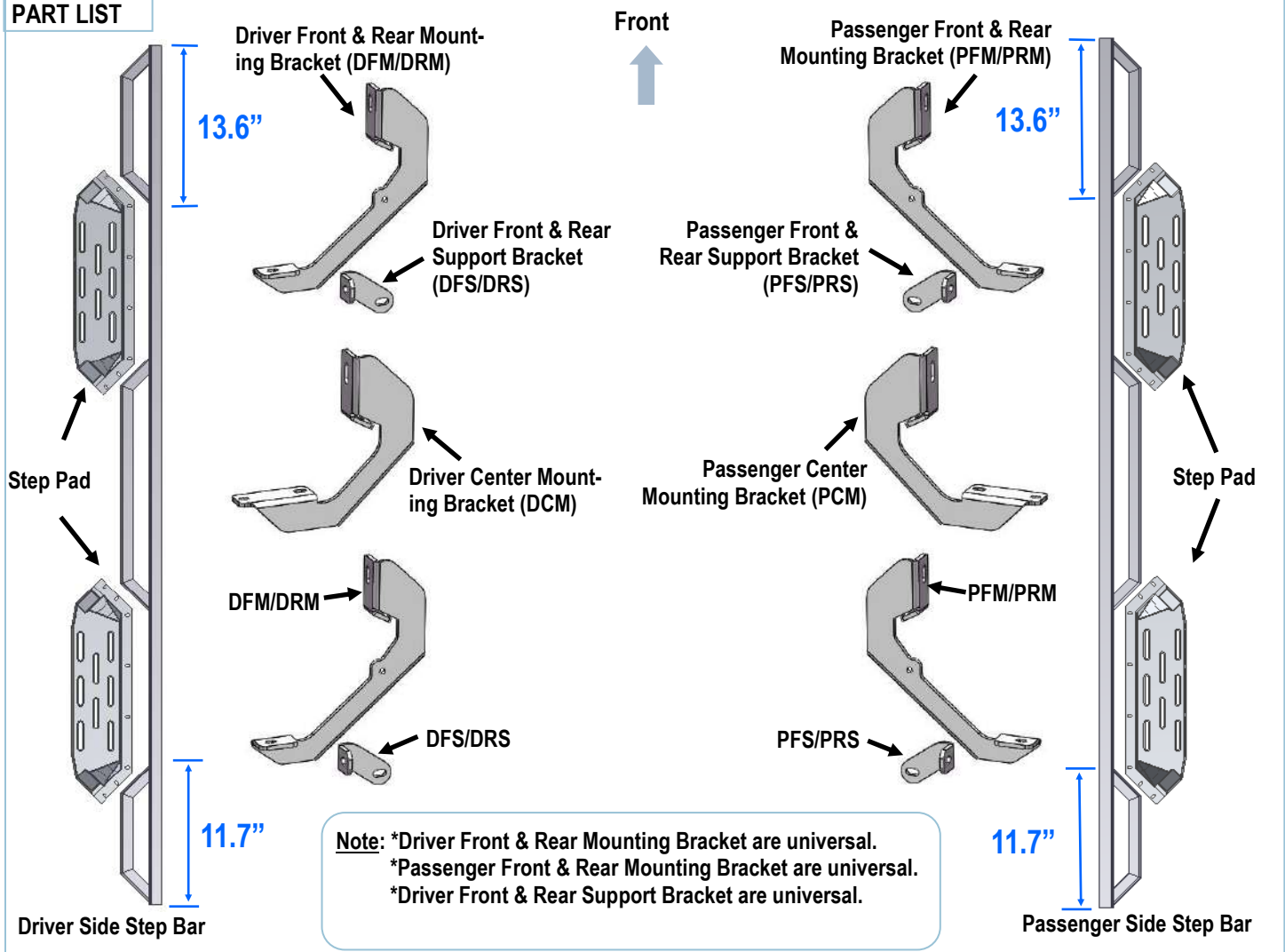
*DRILLING NOT REQUIRED

*TRIMMING NOT REQUIRED

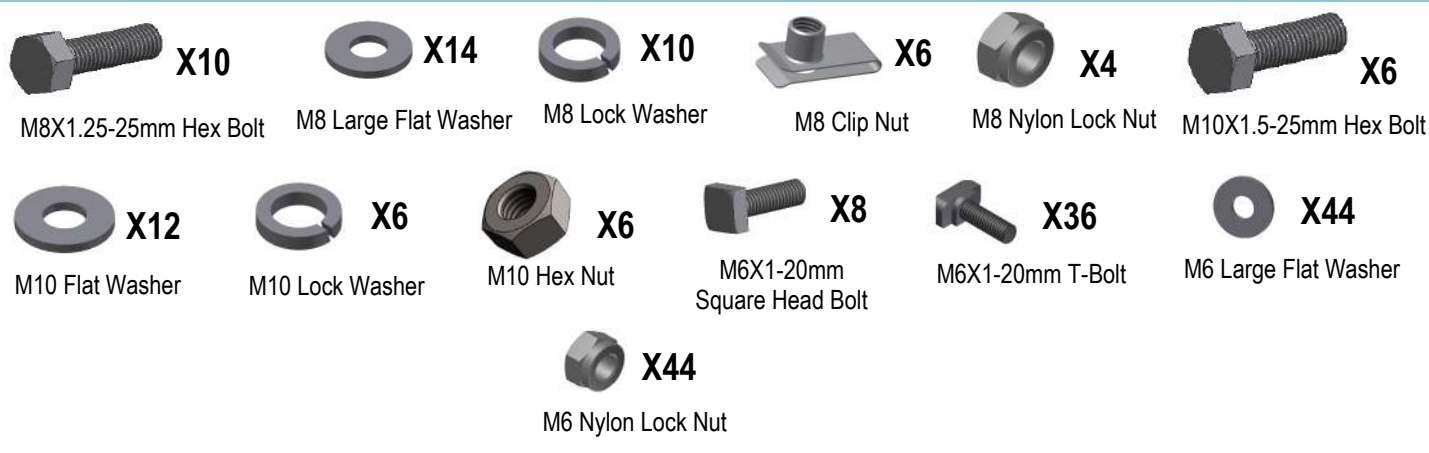
Torque Value

Fastener Size	Tightening Torque (ft-lbs)	Required
6mm	6-7	√
8mm	16-18	√
10mm	31-32	√
12mm	56-58	X
14mm	92-94	X

PART LIST



iArmor®



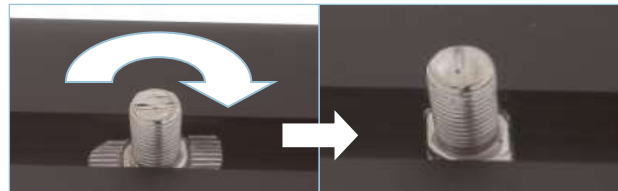
The instruction here is for your reference only. We strongly recommend the professional installer for best result. We are not responsible for any damage caused by the installation.

STEP 1

Install the Step Pads onto the step bars with (32) M6X1-20mm T-Bolts, (32) M6 Large Flat Washers and (32) M6 Nylon Lock Nuts.

IMPORTANT: Don't hit the step pad by any metal hammer within step pad installation, or the step pad will be damaged.

(8) M6X1-20 T-Bolts
(8) M6 Flat Washers
(8) M6 Nylon Lock Nuts



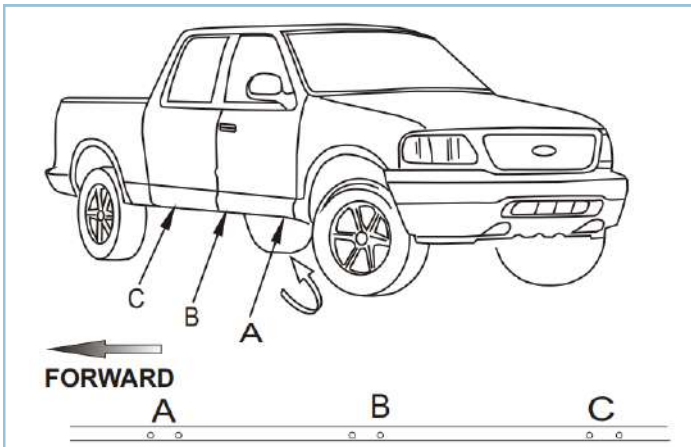
Note: Rotate 90° after inserting the T-Bolts into the Channel!!!

STEP 2

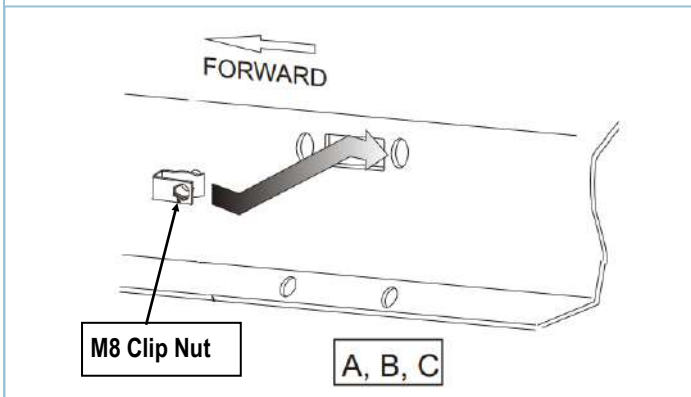
Locate the Passenger Side mounting locations as shown on (See Fig 1).

Install M8 Clip-on Nuts to the rocker panel as shown (Fig 2).

iArmor®



(Fig 1) Passenger Side Mounting Location Pictured



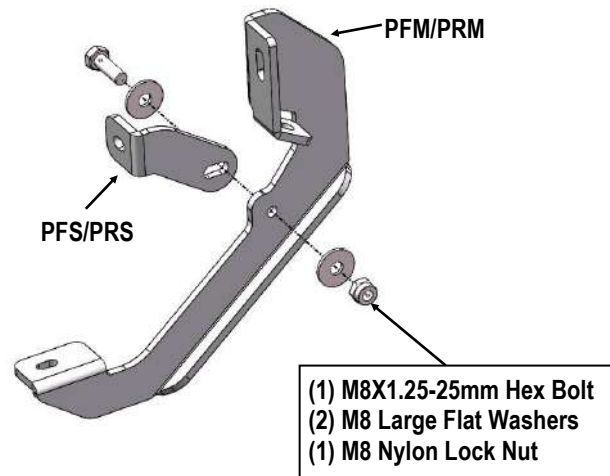
(Fig 2) M8 Clip Nut Installation

STEP 3

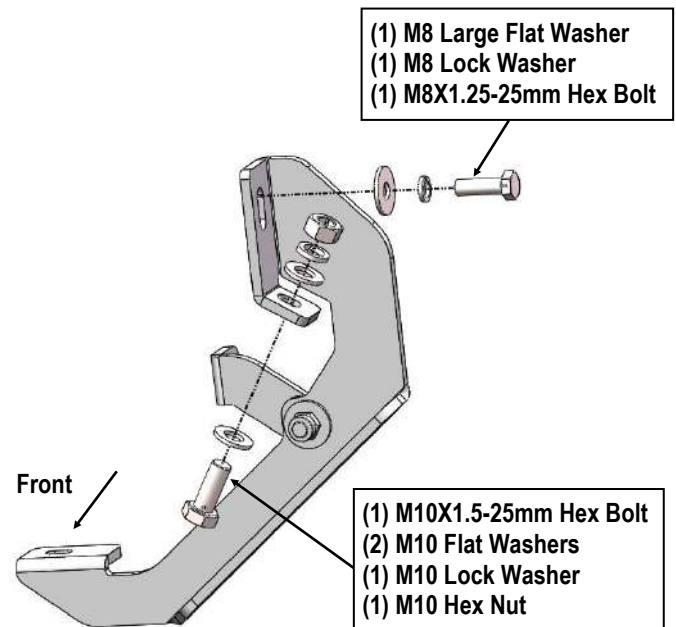
Start from the Passenger side front mounting location.

Assemble Passenger Front Mounting Bracket (**PFM/PRM**) and Passenger Front Support Bracket (**PFS/PRS**) with (1) M8X1.25-25mm Hex Bolt, (2) M8 Large Flat Washers and (1) M8 Nylon Lock Nut, (**Fig 3**).

Attach Passenger Front Mounting Bracket (**PFM/PRM**) to the installed M8 Clip Nut with (1) M8X1.25-25mm Hex Bolt, (1) M8 Large Flat Washer, (1) M8 Lock Washer. Secure the lower mounting hole on the bracket to the pinch weld with (1) M10X1.5-25mm Hex Bolt, (2) M10 Flat Washers, (1) M10 Lock Washer, (1) M10 Hex Nut. Do not fully tighten hardware at this time, (**Fig 4**).



(Fig 3) Passenger Front Mounting Bracket Assembly



(Fig 4) Passenger Front Mounting Bracket Installation

STEP 4

Move to the Passenger Side Center & Rear Mounting Locations. Repeat **Steps 2-3** to install and assemble the Brackets. Leave brackets loose at this time.

iArmor®

STEP 5

Once all (3) Passenger side mounting brackets are installed, select and attach the Assembled Passenger Side Step Bar onto the Mounting Brackets with (4) M6X1-20mm Square Head Bolts, (2) M6X1-20mm T-Bolts, (6) M6 Large Flat Washers and (6) M6 Nylon Lock Nuts, (Fig 5). Do not fully tighten hardware at this time.

STEP 6

Properly level and adjust the Step Bar and fully tighten all hardware.

STEP 7

Move to the other side of the vehicle. Repeat **Steps 1—6** for other side Step Bar installation.

Attention

Do periodic inspections to the installation to make sure that all hardware is secure and tight.

In order to protect your bars/boards, please use only mild soap/non-abrasive products for cleaning.

(Fig 5) Passenger Side Step Bar Installation

