

iArmor®

IARMOR EDGE™

PART#: IA-N003

BEFORE INSTALLATION

REMOVE CONTENTS FROM BOX. VERIFY ALL PARTS ARE PRESENT. READ INSTRUCTIONS CAREFULLY BEFORE STARTING INSTALLATION. ASSISTANCE IS RECOMMENDED. THANK YOU FOR CHOOSING OUR PRODUCT!

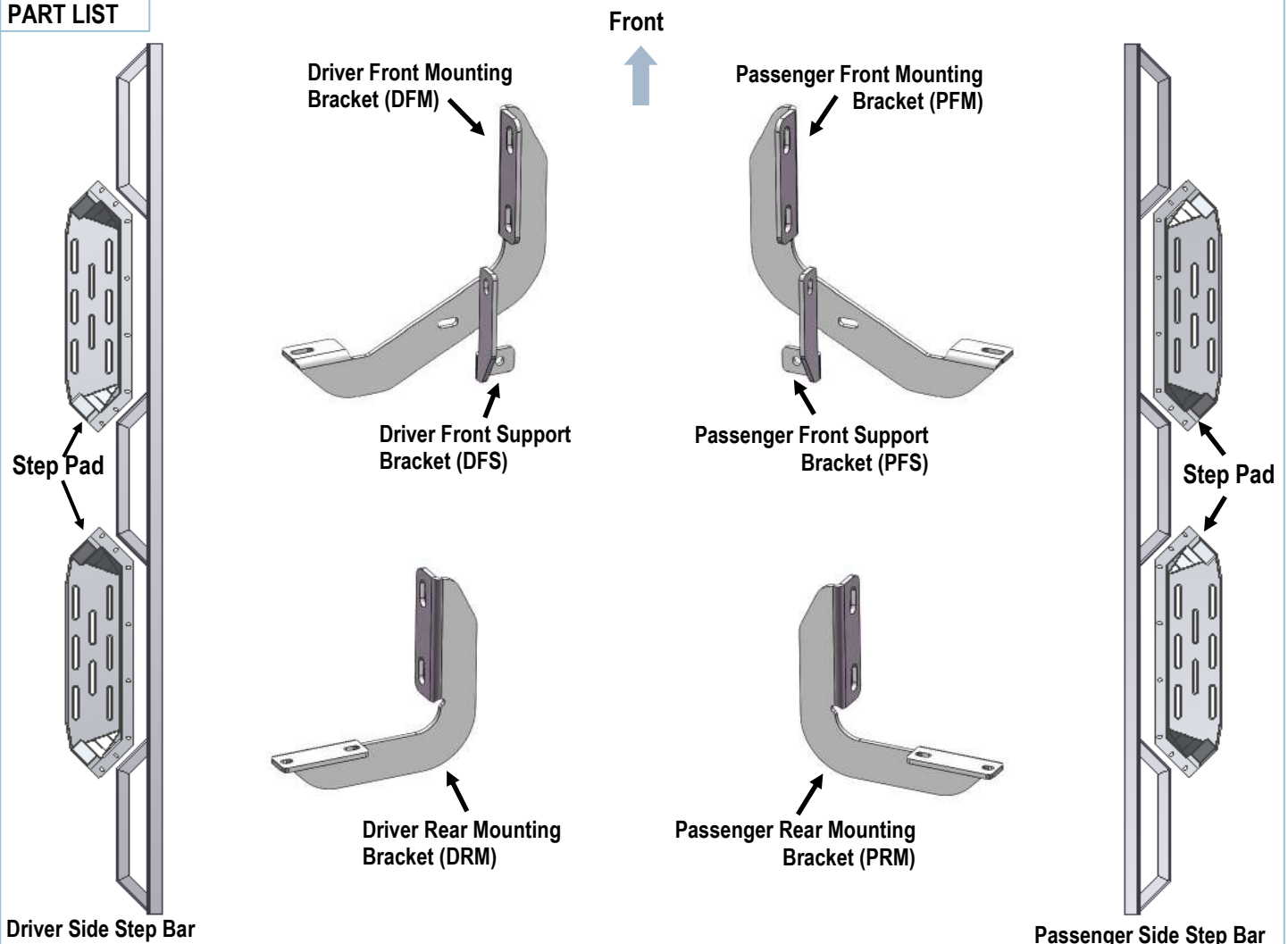
*DRILLING NOT REQUIRED

*TRIMMING NOT REQUIRED

Torque Value

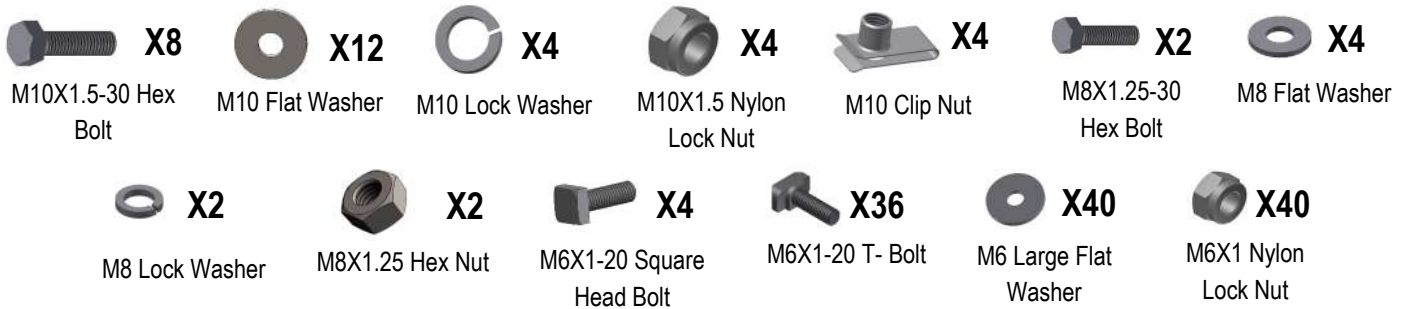
Fastener Size	Tightening Torque (ft-lbs)	Required
6mm	6-7	√
8mm	16-18	√
10mm	31-32	√
12mm	56-58	X
14mm	92-94	X

PART LIST



Customer Support: info@iarmorauto.com

iArmor®



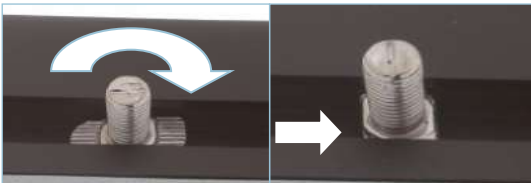
The instruction here is for your reference only. We strongly recommend the professional installer for best result. We are not responsible for any damage caused by the installation.

STEP 1

Install the Step Pads onto the step bars with (32) M6X1-20 T-Bolts, (32) M6 Large Flat Washers and (32) M6X1 Nylon Lock Nuts.

IMPORTANT: Don't hit the step pad by any metal hammer within step pad installation, or the step pad will be damaged.

(8) M6X1-20 T-Bolts
(8) M6 Flat Washers
(8) M6 Nylon Lock Nuts

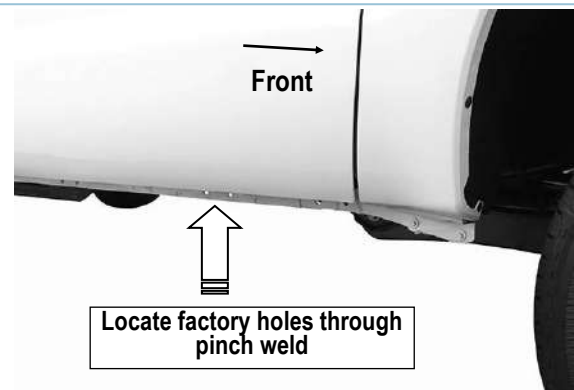


Note: Rotate 90° after inserting the T-Bolts into the Channel!!!

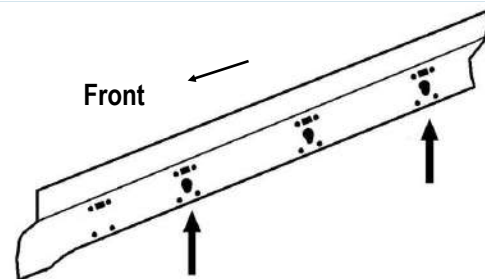
STEP 2

Start installing from the passenger/right side of the vehicle, locate the (4) pairs of factory holes along the pinch weld (**Figs 1 & 2**).

NOTE: There are (4) mounting locations along the inner body panel. Running Board installation will use the 2nd and 4th mounting locations, (**Figs 1 & 2**).



(Fig 1) Passenger Side Pinch Weld Mounting Locations



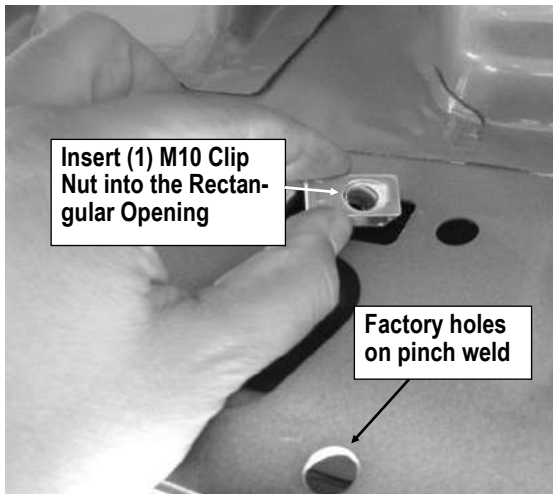
(Fig 2) Passenger Inner Body Panel Mounting Locations

iArmor[®]

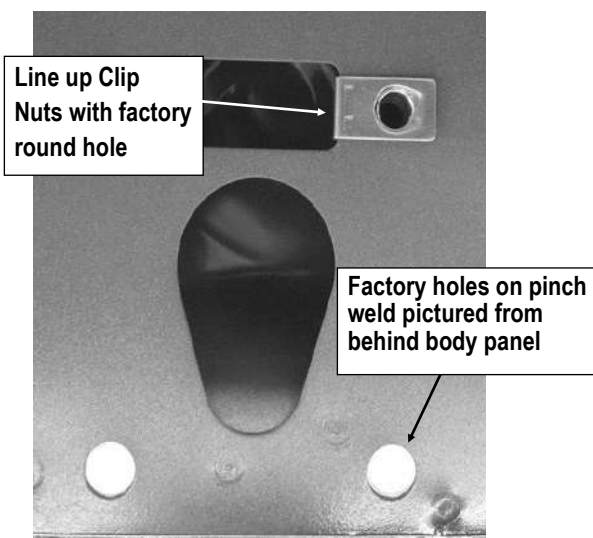
STEP 3

Select (1) M10 Clip Nut. Insert Clip Nut into the rectangular opening. Line up the threaded hole on the clip nut with the round hole next to the rectangular opening.

NOTE: The threaded nut on the Clip Nut must go towards the inside of the side panel, (Figs 3 & 4).



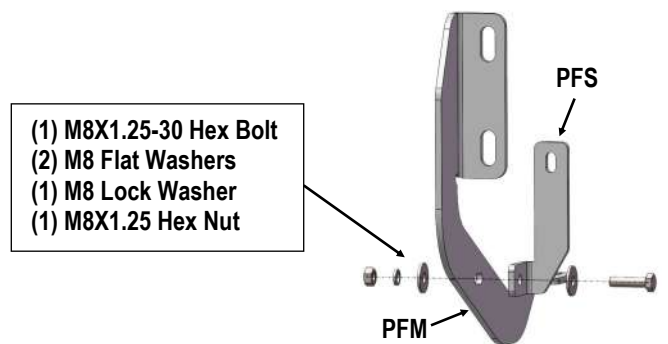
(Fig 3) Typical Mounting Location



(Fig 4) M10 Clip Nut Installed

STEP 4

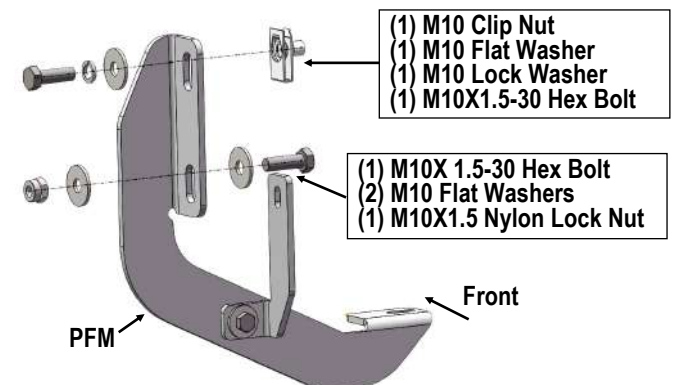
Assemble the Passenger Front Mounting Bracket (PFM) and Passenger Front Support Bracket (PFS) with (1) M8X1.25-30 Hex Bolt, (2) M8 Flat Washer, (1) M8 Lock Washer and (1) M8X1.25 Hex Nut, (Fig 5). Do not fully tighten hardware at this time.



(Fig 5) Passenger Front Mounting Bracket Assembly

STEP 5

Attach the Assembled Passenger Front Mounting Bracket to the installed M10 Clip Nuts and pinch weld with the included (2) M10X1.5-30 Hex Bolts, (1) M10 Lock Washer, (3) M10 Flat Washers and (1) M10X1.5 Nylon Lock Nut, (Fig 6).

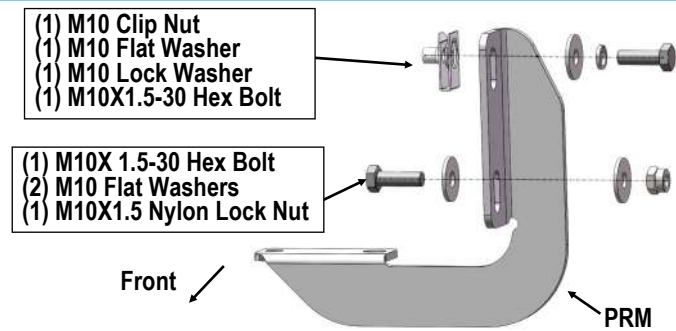


(Fig 6) Passenger Front Mounting Bracket Installed

iArmor®

STEP 6

Move to the Passenger Side Rear Mounting Location. Attach the Passenger Rear Mounting Bracket (**PRM**) to the installed M10 Clip Nut on rocker pane and pinch weld with (2) M10X1.5-30 Hex Bolts, (1) M10 Lock Washer, (3) M10 Flat Washers and (1) M10X1.5 Nylon Lock Nut, (**Fig 7**).



(Fig 7) Passenger Rear Mounting Bracket Installed

STEP 7

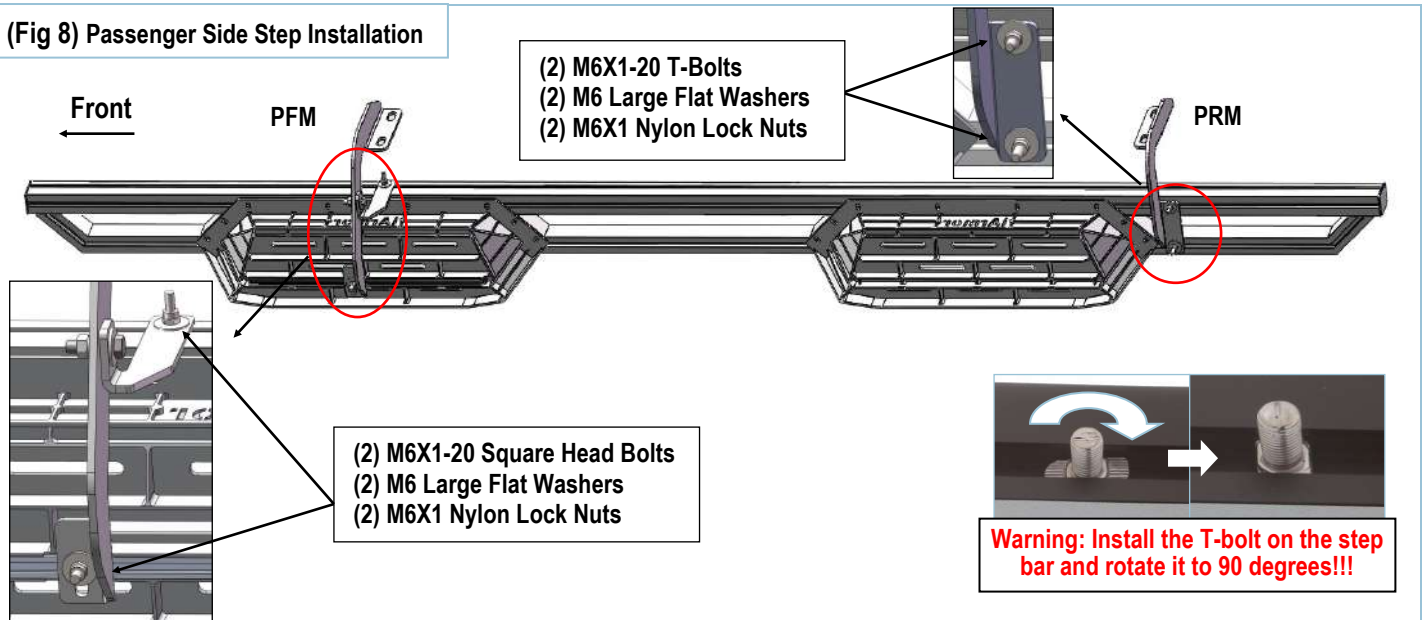
Once all (2) Brackets have been installed, attach the Assembled Passenger Step Bar onto the brackets with (2) M6X1-20 T-Bolts, (2) M6X1-20 Square Head Bolts, (4) M6 Large Flat Washers and (4) M6X1 Nylon Lock Nuts, (**Fig 8**). Do not fully tighten hardware at this time.

Properly level and adjust the Step Bar and fully tighten all hardware.

STEP 8

Move to the Driver side of the vehicle. Repeat **Steps 2-7** for the Driver Side Step Bar installation.

(Fig 8) Passenger Side Step Installation



Attention

Do periodic inspections to the installation to make sure that all hardware is secure and tight. In order to protect your bars/boards, please use only mild soap/non-abrasive products for cleaning.