

iArmor[®]

iArmor[®] by APS

PART#: IA-S189

BEFORE INSTALLATION

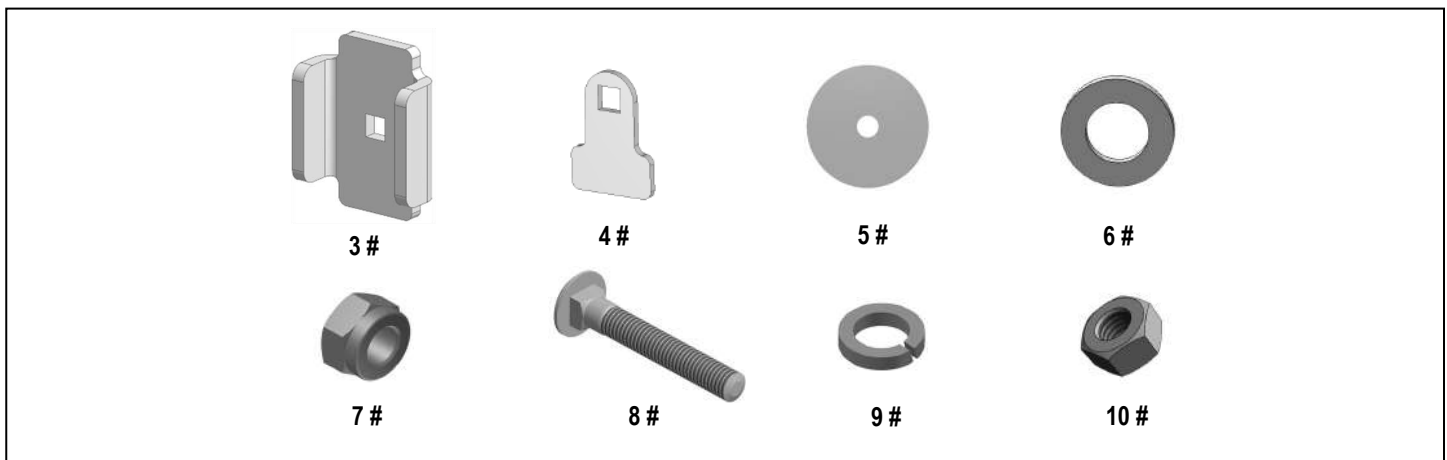
REMOVE CONTENTS FROM BOX. VERIFY ALL PARTS ARE PRESENT. READ INSTRUCTIONS CAREFULLY BEFORE STARTING INSTALLATION. ASSISTANCE IS RECOMMENDED. THANK YOU FOR CHOOSING OUR PRODUCT!

*ROCKER PANEL MOUNT

*NO DRILLING / TRIMMING REQUIRED

Fastener Size	Tightening Torque (ft-lbs)	Required
6mm	6-7	X
8mm	16-18	√
10mm	31-32	X
12mm	56-58	X
14mm	92-94	X

Item	QTY	Description	Item	QTY	Description
1#	2	Driver Front & Passenger Rear Mounting Brackets	6#	16	M8 Large Flat Washers
2#	2	Passenger Front & Driver Rear Mounting Brackets	7#	12	M8X1.25 Nylon Lock Nuts
3#	4	U Brackets	8#	4	M8X1.25-55mm Carriage Bolts
4#	8	Spacers	9#	4	M8 Lock Washers
5#	12	M8 Plastic Washers	10#	4	M8X1.25 Hex Nuts

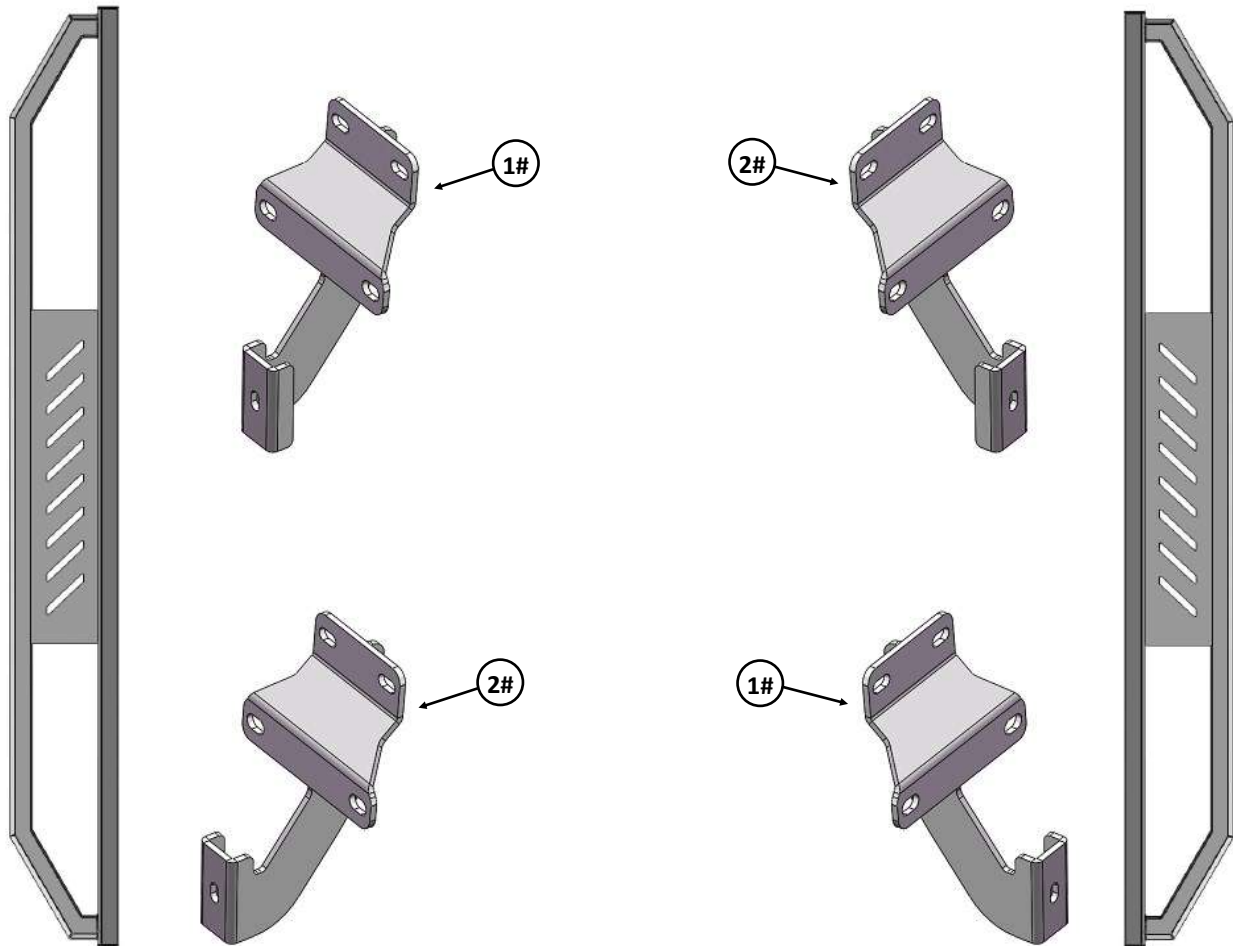


iArmor®

Driver

Front

Passenger

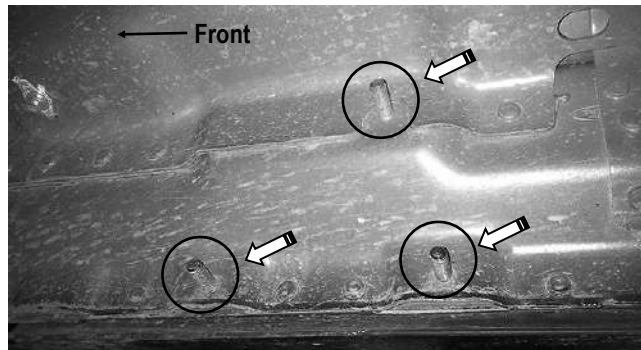


iArmor®

The instruction here is for your reference only. We strongly recommend the professional installer for best result. We are not responsible for any damage caused by the installation.

STEP 1

Start the installation under the passenger side of the vehicle. Locate the front factory running board mounting location along the inner side of the body, (Fig 1).



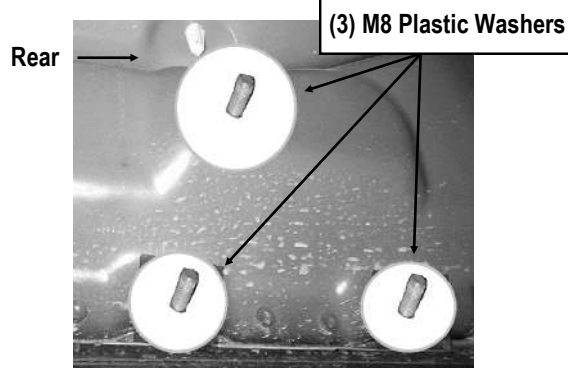
(Fig 1) Passenger Front Mounting Bracket Location

STEP 2

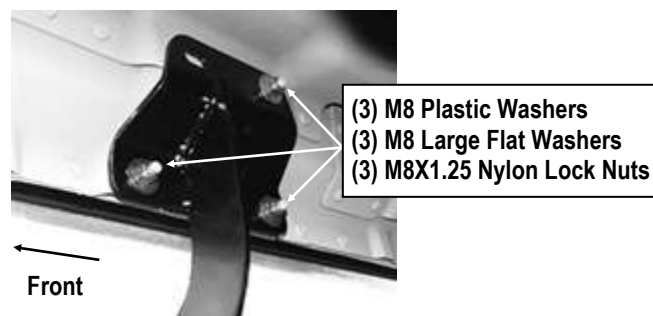
Slide M8 Plastic Washers over each factory mounting stud in the body panel, (Fig 2). **IMPORTANT:** The Plastic Washers are designed to prevent corrosion between the aluminum body panel and the steel mounting brackets. **Do not install the Brackets without the Plastic Washers.**

STEP 3

Select Passenger Front Mounting Bracket. **Note: Passenger Front Mounting Bracket and Driver Rear Mounting Bracket are Universal.** Attach the Mounting Bracket to the (3) factory studs with (3) M8 Large Flat Washers and (3) M8X1.25 Nylon Lock Nuts, (Fig 3). Snug but do not fully tighten the hardware.



(Fig 2) Thread Plastic Washers Onto 3 Mounting Studs. Passenger Side Front Mounting Location Pictured



(Fig 3) Passenger Front Mounting Bracket Installed

STEP 4

Repeat **Steps 1-3** to install the Passenger Rear Mounting Bracket.

STEP 5

Once all (2) passenger side mounting brackets are installed, select and attach the Passenger Side Step Bar onto the Mounting Brackets with (2) U Brackets, (4) Spacers, (2) M8X1.25-55mm Carriage Bolts, (2) M8 Large Flat Washers, (2) M8 Lock Washers and (2) M8X1.25 Hex Nuts, (Fig 4). Do not fully tighten hardware at this time.

iArmor®

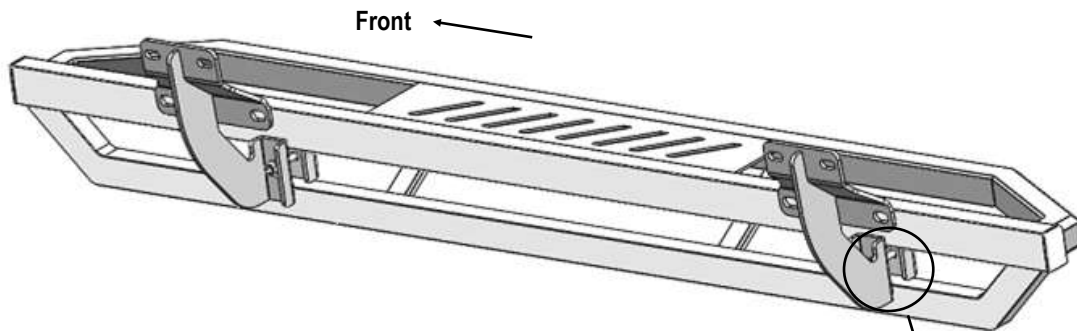
STEP 6

Properly level and adjust the Step Bar and fully tighten all hardware.

STEP 7

Move to the passenger side of the vehicle. Repeat **Steps 1-6** to install the passenger side step bar.

Installation completed.



M8 Large Flat Washer
M8 Lock washer
M8X1.25 Hex Nut

U Bracket

M8X1.25-55mm
Carriage Bolt

Spacers

NOTE: Torque all M8 X1.25-55mm Carriage Bolts to 16~18 lb-ft. Don't over tighten, or the aluminum square bars will be damaged by the brackets

(Fig 4) Passenger Side Step Bar Installed

Attention

Do periodic inspections to the installation to make sure that all hardware is secure and tight. In order to protect your bars/boards, please use only mild soap/non-abrasive products for cleaning.