

iArmor[®]

iArmor[®] by APS

PART#: IA-S010

BEFORE INSTALLATION

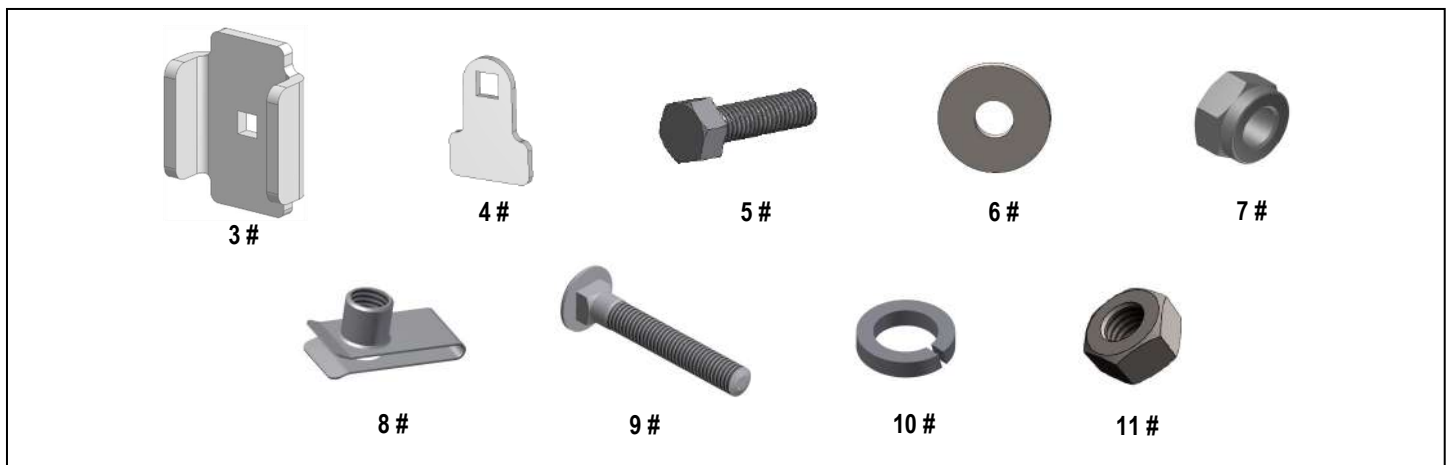
REMOVE CONTENTS FROM BOX. VERIFY ALL PARTS ARE PRESENT. READ INSTRUCTIONS CAREFULLY BEFORE STARTING INSTALLATION. ASSISTANCE IS RECOMMENDED. THANK YOU FOR CHOOSING OUR PRODUCT!

*ROCKER PANEL MOUNT

*NO DRILLING /TRIMMING REQUIRED

Fastener Size	Tightening Torque (ft-lbs)	Required
6mm	6-7	X
8mm	16-18	√
10mm	31-32	X
12mm	56-58	X
14mm	92-94	X

Item	QTY	Description	Item	QTY	Description
1#	2	Driver Front / Rear Mounting Brackets	7#	4	M8X1.25 Nylon Lock Nuts
2#	2	Passenger Front / Rear Mounting Brackets	8#	4	M8 Clip Nuts
3#	4	U Brackets	9#	4	M8X1.25-55mm Carriage Bolts
4#	8	Spacers	10#	8	M8 Lock Washers
5#	8	M8X1.25-25mm Hex Bolts	11#	4	M8X1.25 Hex Nuts
6#	16	M8 Large Flat Washers			



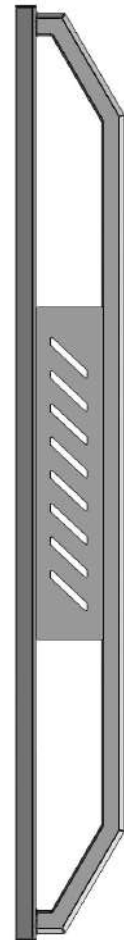
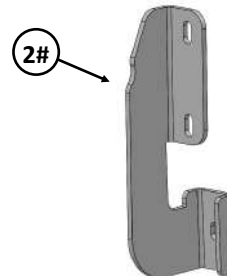
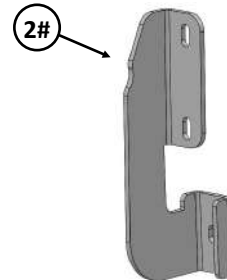
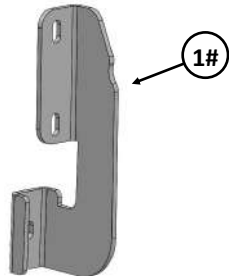
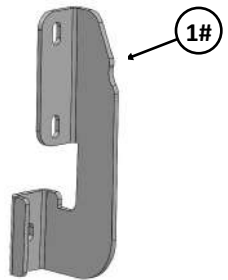
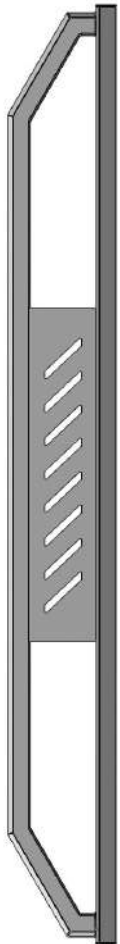
Customer Support: info@iarmorauto.com

iArmor[®]

Driver

Front

Passenger

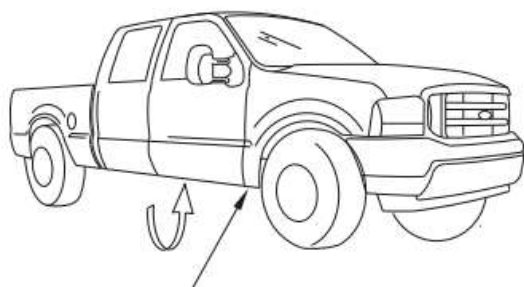


iArmor®

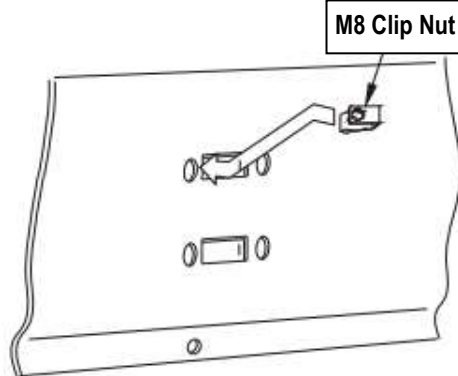
The instruction here is for your reference only. We strongly recommend the professional installer for best result. We are not responsible for any damage caused by the installation.

STEP 1

Start from the passenger side front mounting location as shown, (Fig 1). Install (1) M8 Clip Nut on mounting position as shown, (Fig 2).



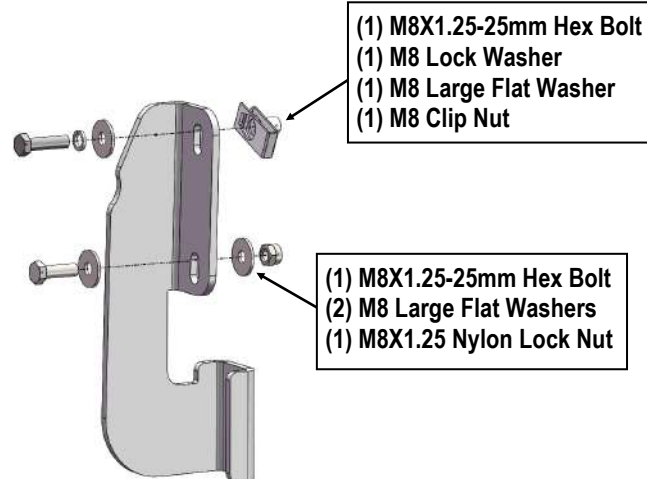
(Fig 1) Passenger Side Front Mounting Location



(Fig 2) Install (1) M8 Clip Nut

STEP 2

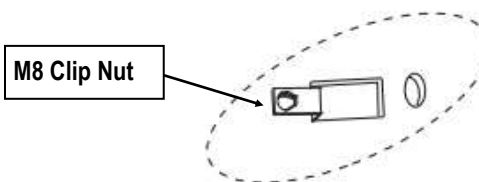
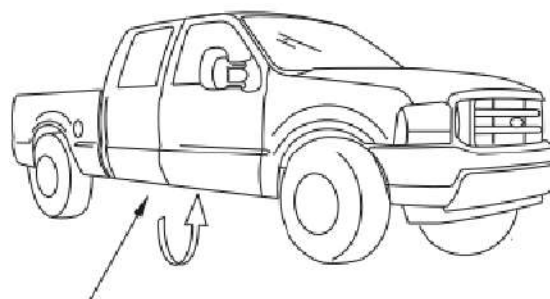
Attach the Passenger Front Mounting Bracket onto front mounting position with (1) M8 Clip Nut, (2) M8X1.25-25mm Hex Bolts, (1) M8 Lock Washer, (3) M8 Large Flat Washers and (1) M8X1.25 Nylon Lock Nut, (Fig 3). Do not fully tighten hardware at this time.



(Fig 3) Passenger Front Mounting Bracket Installed

STEP 3

Move to the passenger side rear mounting location, (Fig 4). Repeat Steps 2-3 to install the Passenger Rear Mounting Bracket. Do not fully tighten hardware at this time.



(Fig 4) Passenger Side Rear Mounting Location

iArmor®

STEP 4

Once all (2) passenger side mounting brackets are installed, select and attach the Passenger Side Step Bar onto the Mounting Brackets with (2) U Brackets, (4) Spacers, (2) M8X1.25-55mm Carriage Bolts, (2) M8 Large Flat Washers, (2) M8 Lock Washers and (2) M8X1.25 Hex Nuts, (Fig 5). Do not fully tighten hardware at this time.

STEP 5

Properly level and adjust the Step Bar and fully tighten all hardware.

STEP 6

Move to the driver side of the vehicle. Repeat **Steps 1-6** to install the driver side step bar.

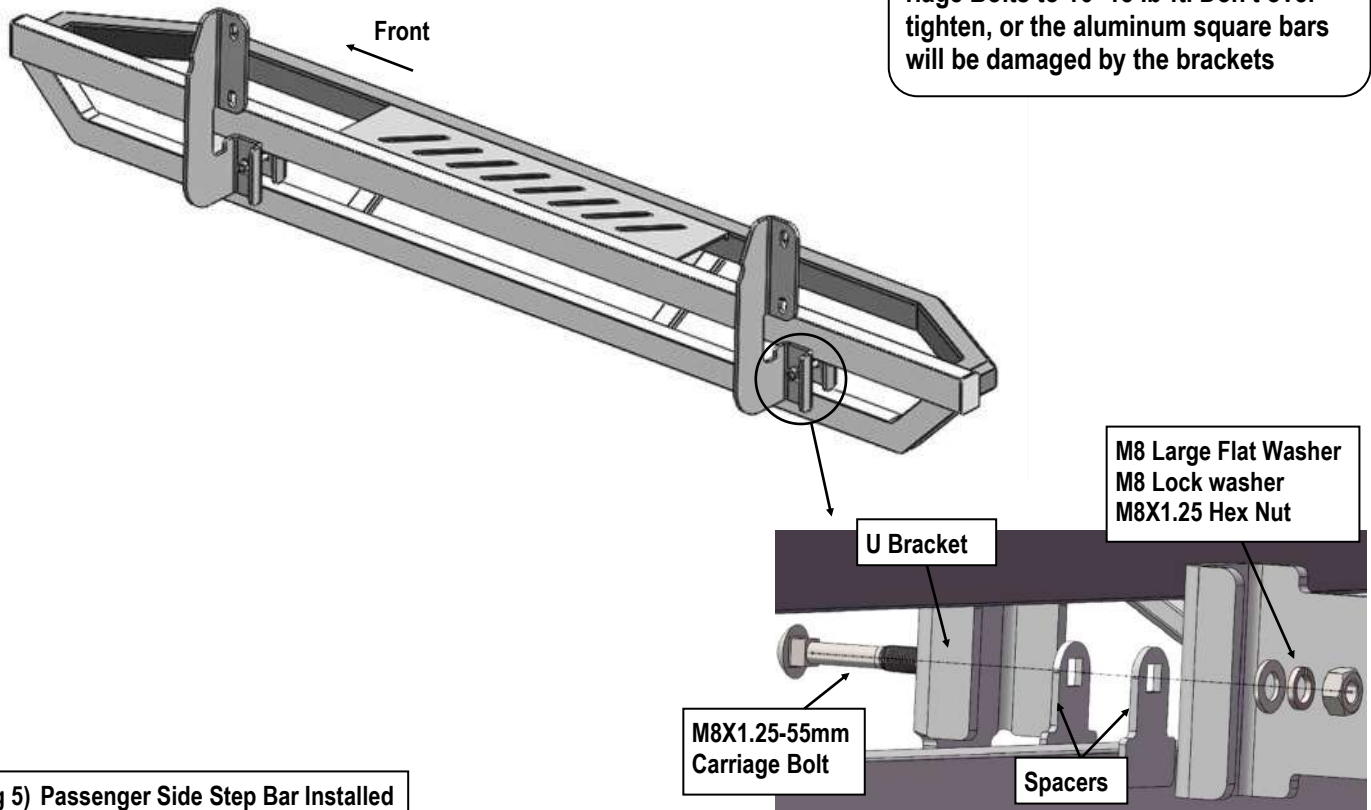
Installation completed.

Attention

Do periodic inspections to the installation to make sure that all hardware is secure and tight.

In order to protect your bars/boards, please use only mild soap/non-abrasive products for cleaning.

NOTE: Torque all M8 X1.25-55mm Carriage Bolts to 16~18 lb-ft. Don't over tighten, or the aluminum square bars will be damaged by the brackets



(Fig 5) Passenger Side Step Bar Installed