

iArmor®

IARMOR EDGE™

PART#: IA-W188

BEFORE INSTALLATION, REMOVE CONTENTS FROM BOX. VERIFY ALL PARTS ARE PRESENT. READ INSTRUCTIONS CAREFULLY BEFORE STARTING INSTALLATION. ASSISTANCE IS RECOMMENDED. THANK YOU FOR CHOOSING OUR PRODUCT!

*ROCKER PANEL MOUNT

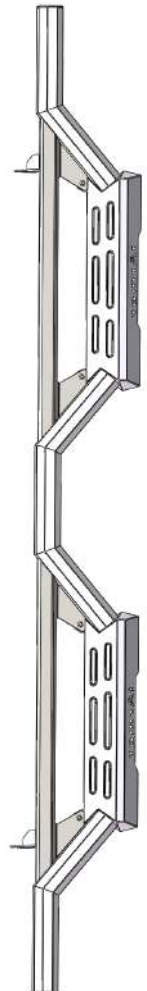
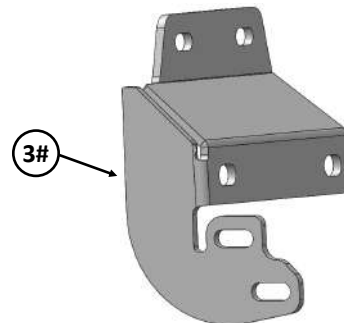
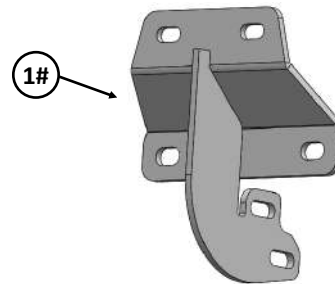
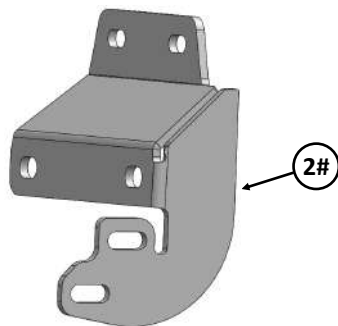
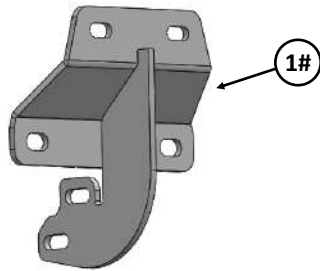
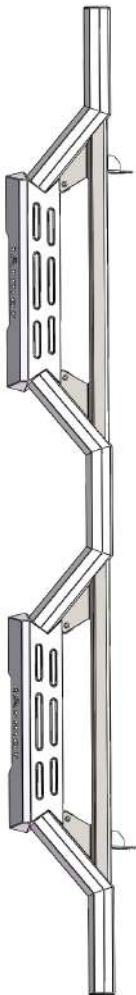
*DRILLING/TRIMMING NOT REQUIRED

Fastener Size	Tightening Torque (ft-lbs)	Required
6mm	6-7	X
8mm	16-18	√
10mm	31-32	√
12mm	56-58	X
14mm	92-94	X

Driver

Front

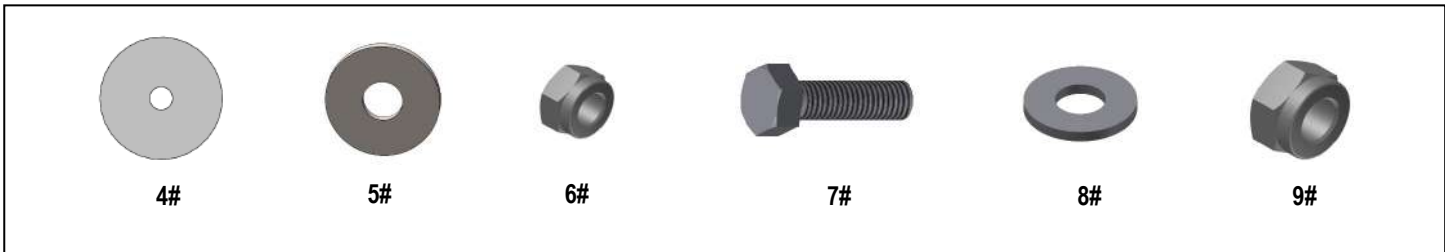
Passenger



Customer Support: info@iarmorauto.com

iArmor®

Hardware Package (For Brackets & Step Bars Installation)					
Item	QTY	Description	Item	QTY	Description
1#	2	Driver / Passenger Front Mounting Brackets	6#	12	M8X1.25 Nylon Lock Nuts
2#	1	Driver Rear Mounting Bracket	7#	8	M10X1.5-25 Hex Bolts
3#	1	Passenger Rear Mounting Bracket	8#	16	M10 Flat Washers
4#	12	M8 Plastic Washers	9#	8	M10X1.5 Nylon Lock Nuts
5#	12	M8 Large Flat Washers			

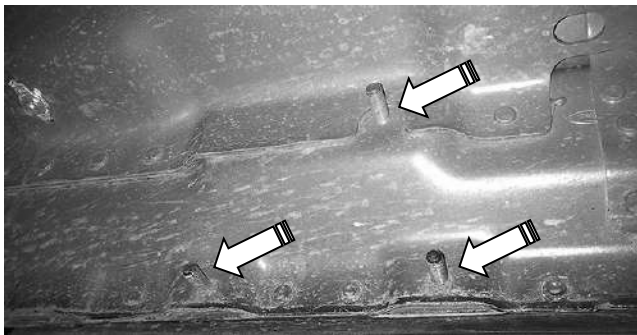


iArmor®

The instruction here is for your reference only. We strongly recommend the professional installer for best result. We are not responsible for any damage caused by the installation.

STEP 1

Start the installation from the Driver side of the vehicle. Locate the driver side front mounting location on the inner side of the body panel, **(Fig 1)**. Use a wire brush to remove the paint or coating from all studs.



(Fig 1) Driver Side Front Mounting Location

STEP 2

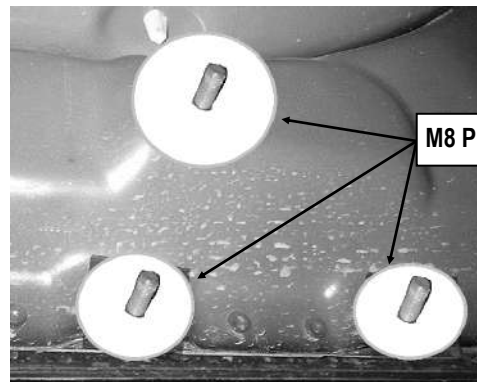
Slide (3) M8 Plastic Washers over the (3) factory mounting studs on the body panel, **(Fig 2)**.

Note: The Plastic Washers are designed to prevent corrosion between the aluminum body panel and the steel mounting brackets.

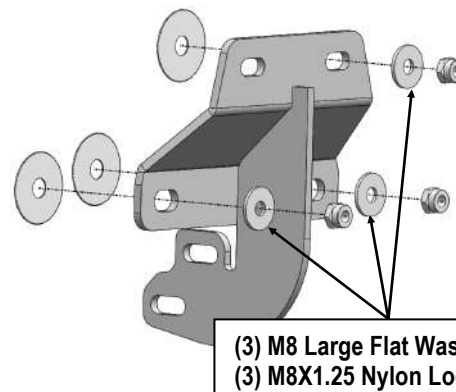
STEP 3

Attach (1) Driver Front Mounting Bracket to the (3) factory studs on the Driver Side Front Mounting Location with (3) M8 Large Flat Washers and (3) M8X1.25 Nylon Lock Nuts, **(Fig 3)**. Do not fully tighten hardware at this time.

Note: Driver Front Mounting Bracket and Passenger Front Mounting Bracket are universal.



(Fig 2) Thread M8 Plastic Washers onto all mounting studs



(Fig 3) Driver Front Mounting Bracket Installation

STEP 4

Move to the Driver Side Rear Mounting Location. Repeat **Steps 2-3** to install the Mounting Bracket. Do not fully tighten hardware at this time.

STEP 5

Once all (2) Mounting Brackets have been installed, attach the Driver Side Step Bar to the Mounting Brackets with (4) M10X1.5-25 Hex Bolts, (8) M10 Flat Washers and (4) M10X1.5 Nylon Lock Nuts, **(Fig 4)**. Do not fully tighten hardware at this time.

iArmor®

STEP 6

Properly level and adjust the Step Bar and fully tighten all hardware.

STEP 7

Move to the other side of the vehicle. Repeat **Steps 1—6** for other side Step Bar installation.

Attention

Do periodic inspections to the installation to make sure that all hardware is secure and tight.

In order to protect your bars/boards, please use mild soap/non-abrasive products for cleaning only.

