

iArmor®

IARMOR EDGE™

PART#: IA-W239

BEFORE INSTALLATION

REMOVE CONTENTS FROM BOX. VERIFY ALL PARTS ARE PRESENT. READ INSTRUCTIONS CAREFULLY BEFORE STARTING INSTALLATION. ASSISTANCE IS RECOMMENDED. THANK YOU FOR CHOOSING OUR PRODUCT!

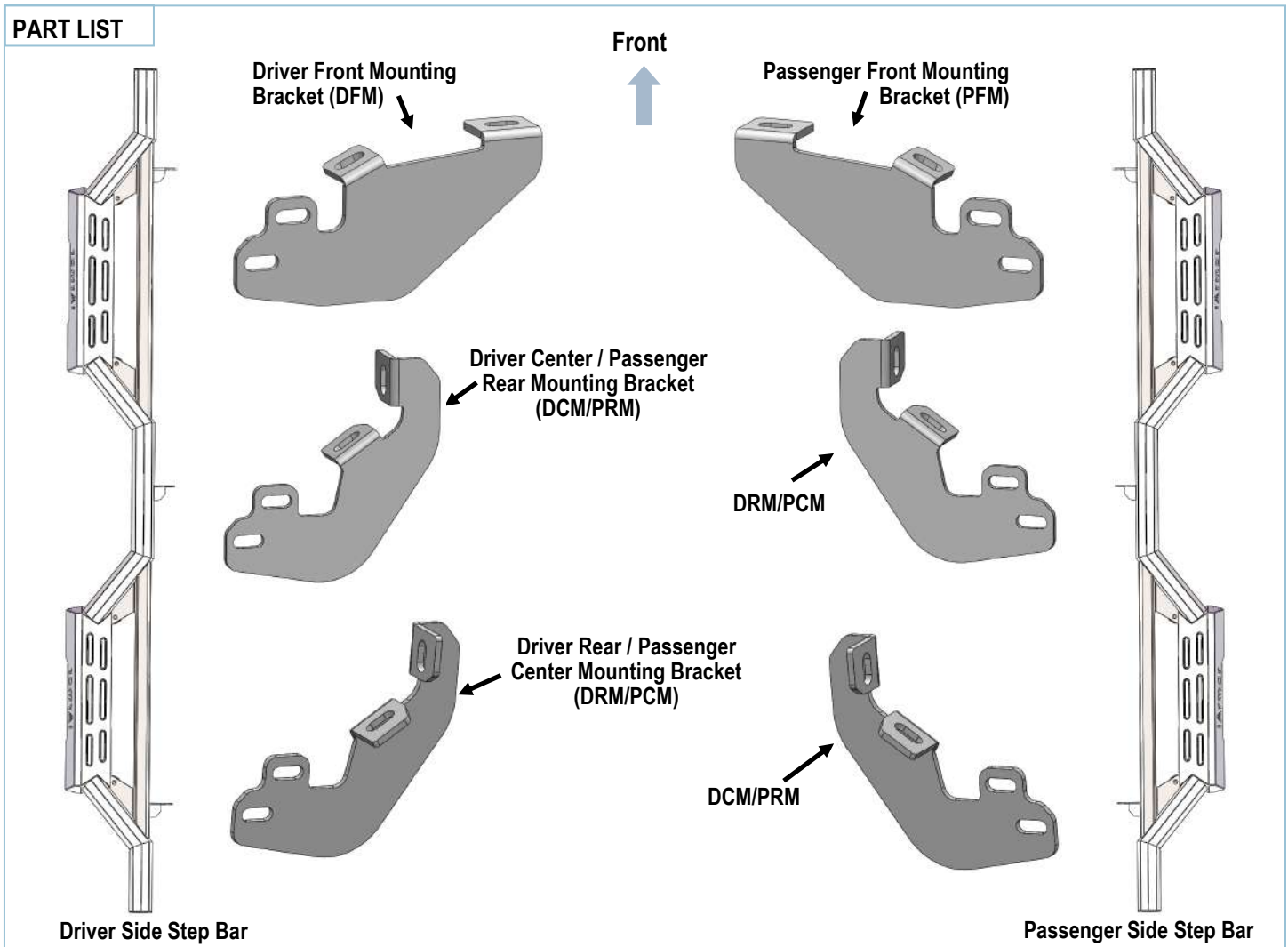
*ROCKER PANEL MOUNT

*DRILLING/TRIMMING NOT REQUIRED

Torque Value

Fastener Size	Tightening Torque (ft-lbs)	Required
6mm	6-7	X
8mm	16-18	X
10mm	31-32	√
12mm	56-58	X
14mm	92-94	X

PART LIST

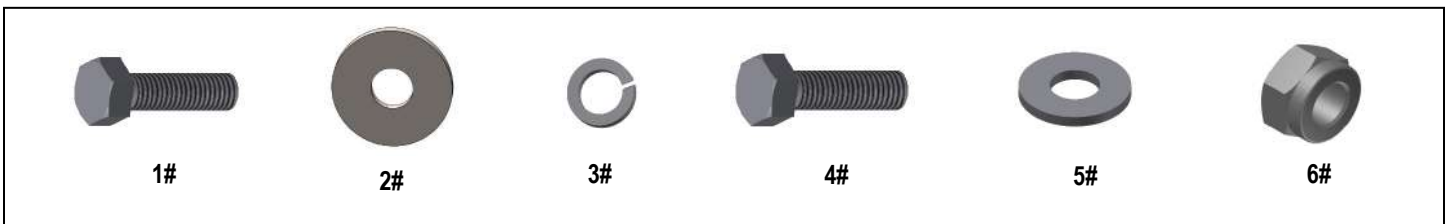


Customer Support: info@iarmorauto.com

iArmor®

Hardware Package (For Brackets & Step Bars Installation)

Item	QTY	Description	Item	QTY	Description
1#	24	M10X1.5-25 Hex Bolts	4#	24	M10 Flat Washers
2#	12	M10 Large Flat Washers	5#	12	M10X1.5 Nylon Lock Nuts
3#	12	M10 Lock Washers			

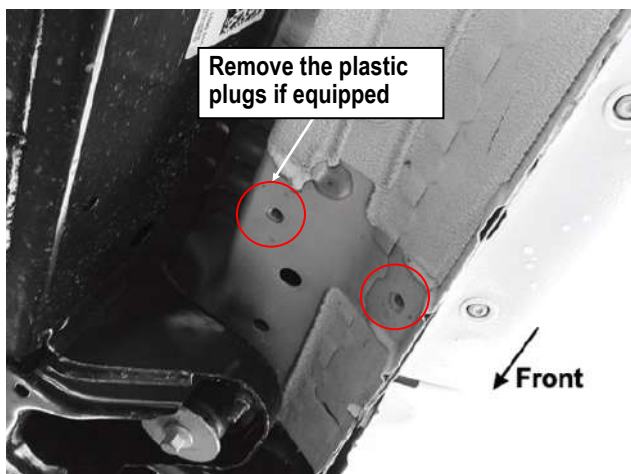


iArmor[®]

The instruction here is for your reference only. We strongly recommend the professional installer for best result. We are not responsible for any damage caused by the installation.

STEP 1

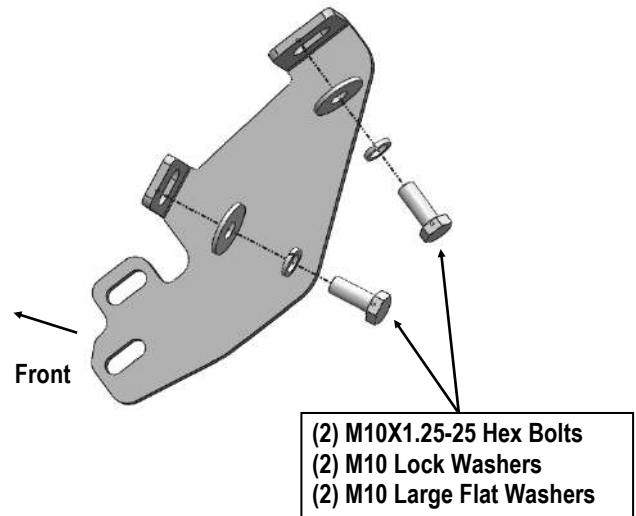
Start the installation under the passenger side of the vehicle. Locate the front mounting location and the threaded holes in the body panel, (Fig 1). Remove the plastic plugs covering the holes if equipped.



(Fig 1) Passenger Front Mounting Location

STEP 2

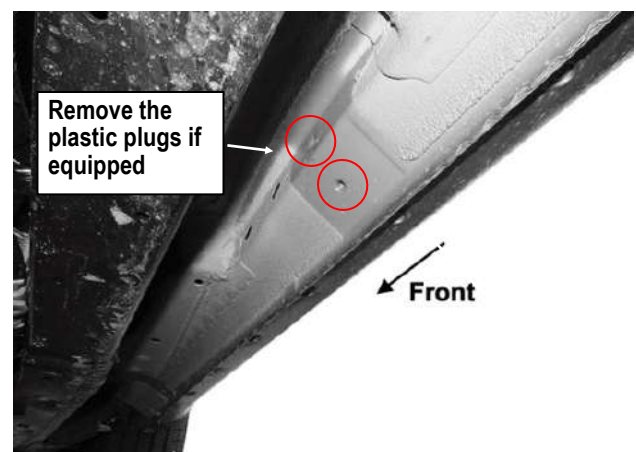
Select the Passenger Front Mounting Bracket (PFM). Attach the Mounting Bracket to the front location with (2) M10X1.25-25mm Hex Bolts, (2) M10 Lock Washers and (2) M10 Large Flat Washers, (Fig 2). Do not fully tighten hardware at this time.



(Fig 2) Passenger Front Mounting Bracket Installation

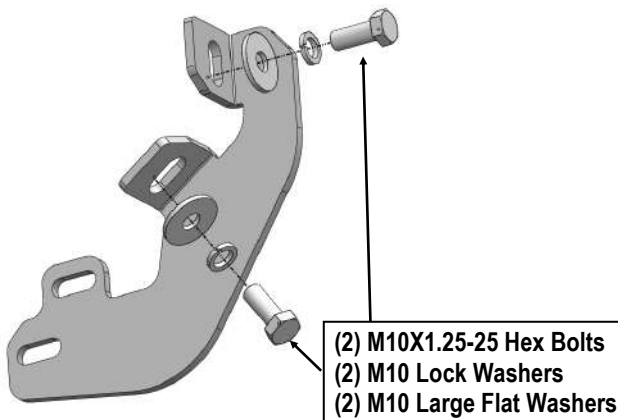
STEP 3

Repeat Steps 1-2 to attach Passenger Center Mounting Bracket (DRM/PCM) and Passenger Rear Mounting Bracket (DCM/PRM), (Figs 3-6). Do not fully tighten hardware at this time.

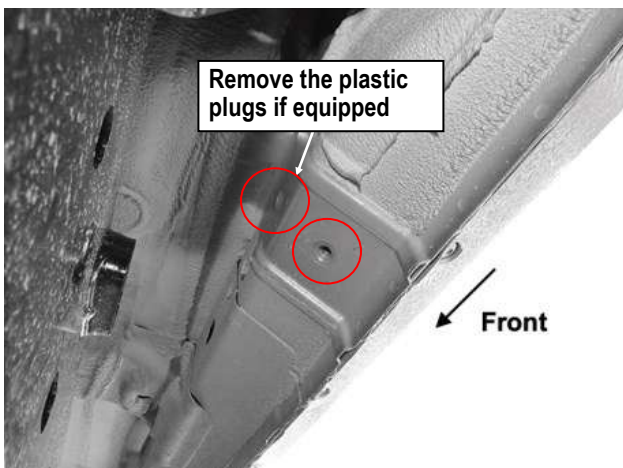


(Fig 3) Passenger Side Center Mounting Location

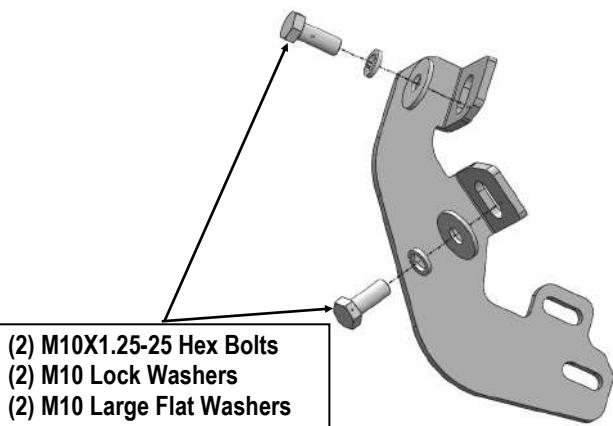
iArmor®



(Fig 4) Passenger Center Mounting Bracket Installation



(Fig 5) Passenger Side Rear Mounting Location



(Fig 6) Passenger Rear Mounting Bracket Installation

STEP 4

Once all (3) Mounting Brackets have been installed, attach the Passenger Side Step Bar to the Mounting Brackets with (6) M10X1.5-25 Hex Bolts, (12) M10 Flat Washers and (6) M10X1.5 Nylon Lock Nuts, (Fig 7). Do not fully tighten hardware at this time.

STEP 5

Properly level and adjust the Step Bar and fully tighten all hardware.

STEP 6

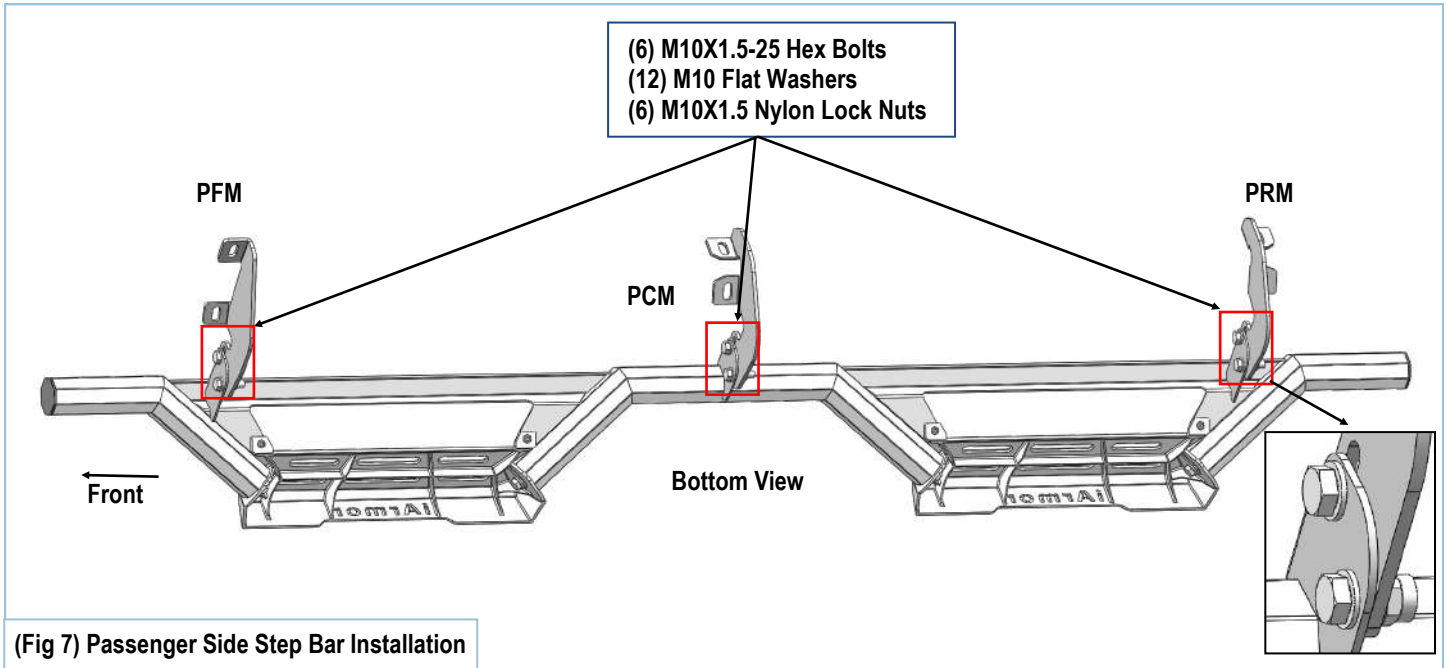
Move to the other side of the vehicle. Repeat **Steps 1-5** for the other Side Step Bar installation.

Attention

Do periodic inspections to the installation to make sure that all hardware is secure and tight.

In order to protect your bars/boards, please use mild soap/non-abrasive products for cleaning only.

iArmor[®]



(Fig 7) Passenger Side Step Bar Installation