

iArmor®

IARMOR EDGE™

PART#: IA-W313

BEFORE INSTALLATION

REMOVE CONTENTS FROM BOX. VERIFY ALL PARTS ARE PRESENT. READ INSTRUCTIONS CAREFULLY BEFORE STARTING INSTALLATION. ASSISTANCE IS RECOMMENDED. THANK YOU FOR CHOOSING OUR PRODUCT!

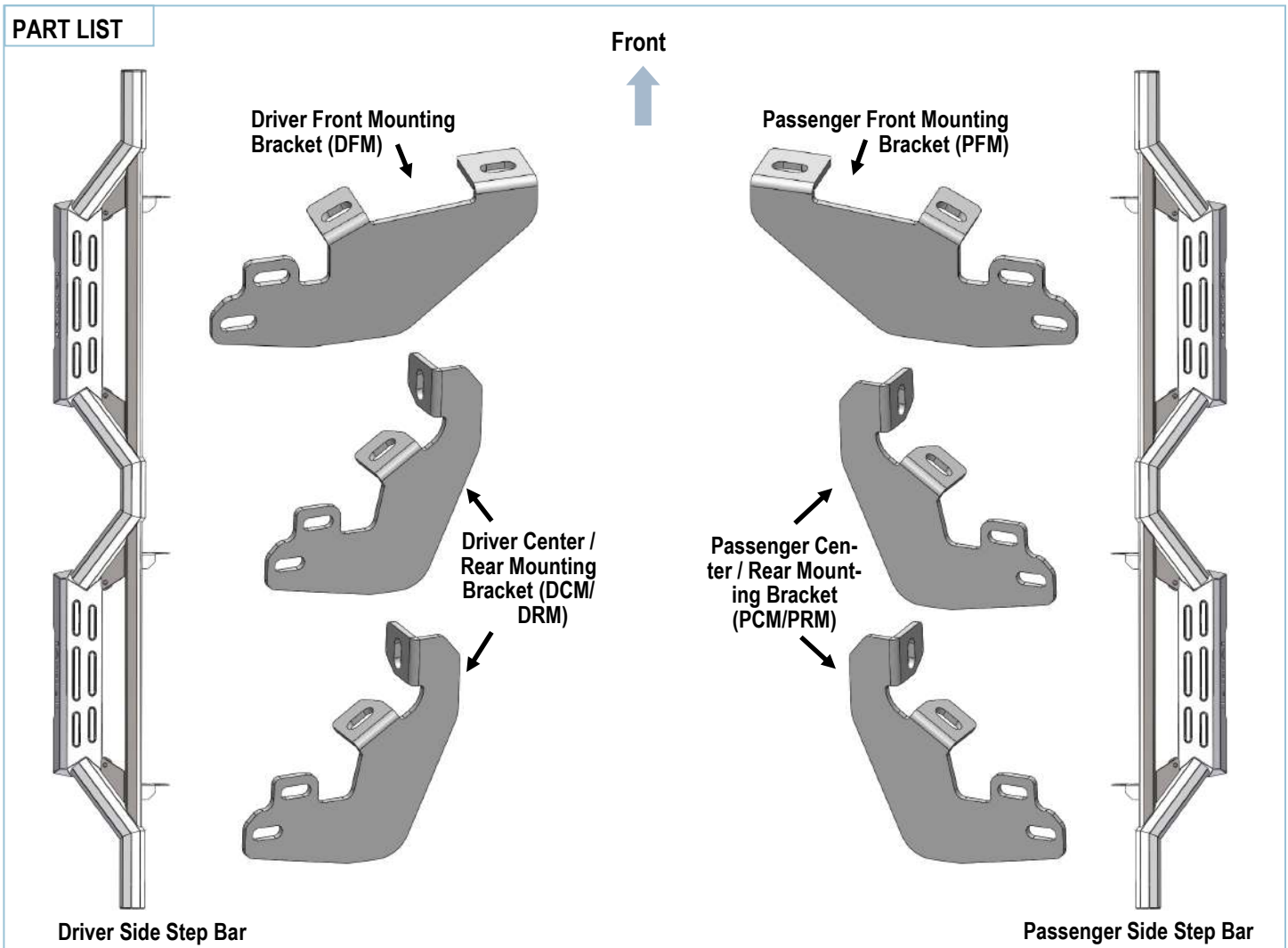
*ROCKER PANEL MOUNT

*DRILLING/TRIMMING NOT REQUIRED

Torque Value

Fastener Size	Tightening Torque (ft-lbs)	Required
6mm	6-7	X
8mm	16-18	X
10mm	31-32	√
12mm	56-58	X
14mm	92-94	X

PART LIST



Customer Support: info@iarmorauto.com

iArmor[®]

Hardware Package (For Brackets & Step Bars Installation)

Item	QTY	Description	Item	QTY	Description
1#	24	M10X1.5-25 Hex Bolts	3#	12	M10 Lock Washers
2#	36	M10 Flat Washers	4#	12	M10X1.5 Nylon Lock Nuts



1#



2#



3#



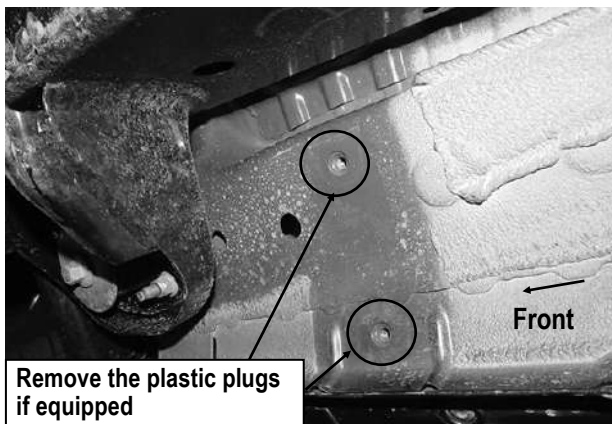
4#

iArmor[®]

The instruction here is for your reference only. We strongly recommend the professional installer for best result. We are not responsible for any damage caused by the installation.

STEP 1

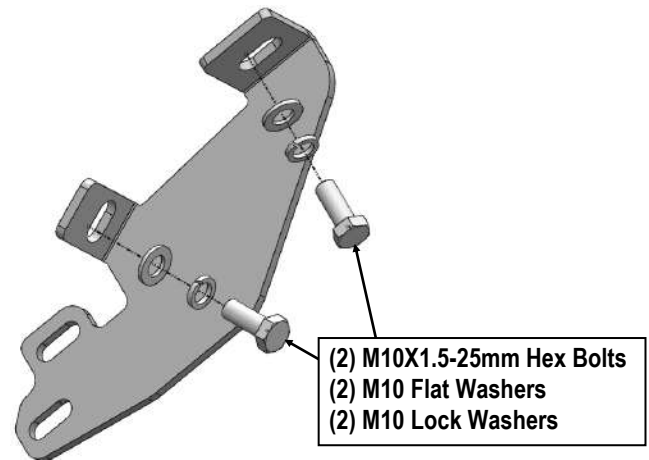
Start the installation under the passenger side front of the vehicle. Remove the plastic plugs from the front mounting location if equipped, (Fig 1).



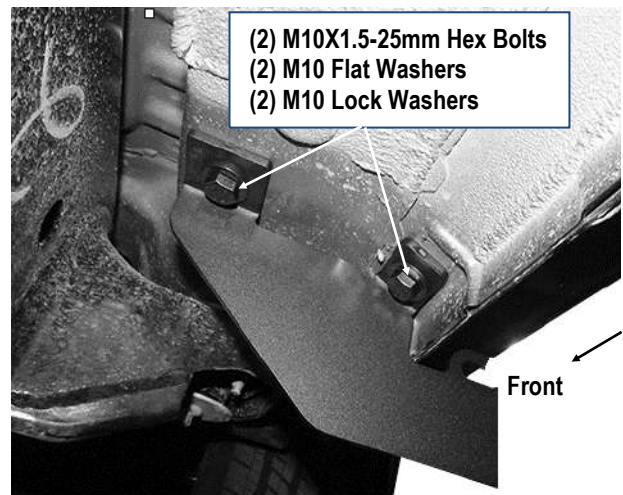
(Fig 1) Passenger Side Front Mounting Location

STEP 2

Select Passenger Front Mounting Bracket (PFM). Attach to Passenger side front mounting location with (2) M10X1.5-25mm Hex Bolts, (2) M10 Lock Washers and (2) M10 Flat Washers, (Figs 2 & 3). Do not fully tighten hardware at this time.



(Fig 2) Passenger Front Mounting Bracket Installation



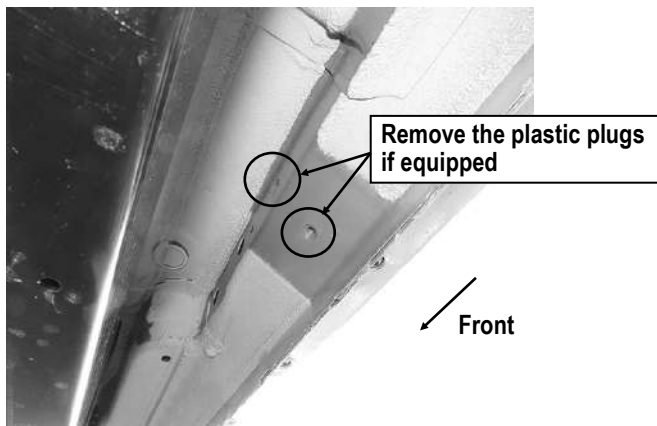
(Fig 3) Passenger Front Mounting Bracket Installed

STEP 3

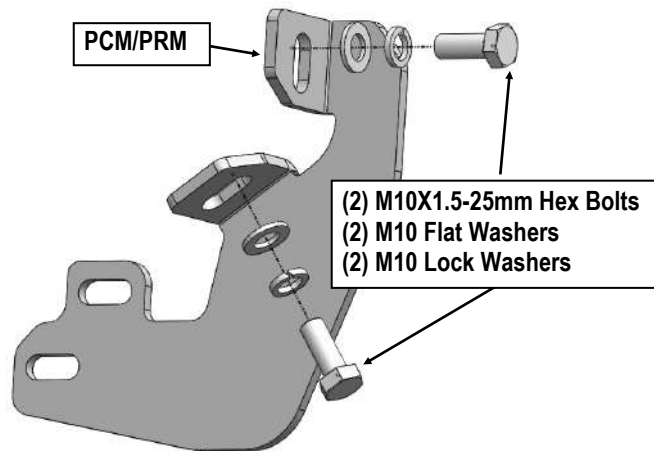
Move to the Passenger side Center and Rear mounting locations. Repeat **Step 2** to install Passenger Center Mounting Bracket and Passenger Rear Mounting Bracket (PCM/PRM), (Figs 4 & 5). Do not fully tighten hardware at this time.

Note: Passenger Center Mounting Bracket and Passenger Rear Mounting Bracket Are Universal.

iArmor[®]



(Fig 4) Passenger Side Center Mounting Location



(Fig 5) Passenger Center/Rear Mounting Bracket Installation

STEP 4

Once all (3) Mounting Brackets have been installed, attach the Passenger Side Step Bar to the Mounting Brackets with (6) M10X1.5-25 Hex Bolts, (12) M10 Flat Washers and (6) M10X1.5 Nylon Lock Nuts, (Fig 6). Do not fully tighten hardware at this time.

STEP 5

Properly level and adjust the Step Bar and fully tighten all hardware.

STEP 6

Move to the other side of the vehicle. Repeat **Steps 1-5** for the other Side Step Bar installation.

Attention

Do periodic inspections to the installation to make sure that all hardware is secure and tight.

In order to protect your bars/boards, please use mild soap/non-abrasive products for cleaning only.

iArmor[®]

