

iArmor[®]

IARMOR EDGE™

PART#: IA-N116

BEFORE INSTALLATION

REMOVE CONTENTS FROM BOX. VERIFY ALL PARTS ARE PRESENT. READ INSTRUCTIONS CAREFULLY BEFORE STARTING INSTALLATION. ASSISTANCE IS RECOMMENDED. THANK YOU FOR CHOOSING OUR PRODUCT!

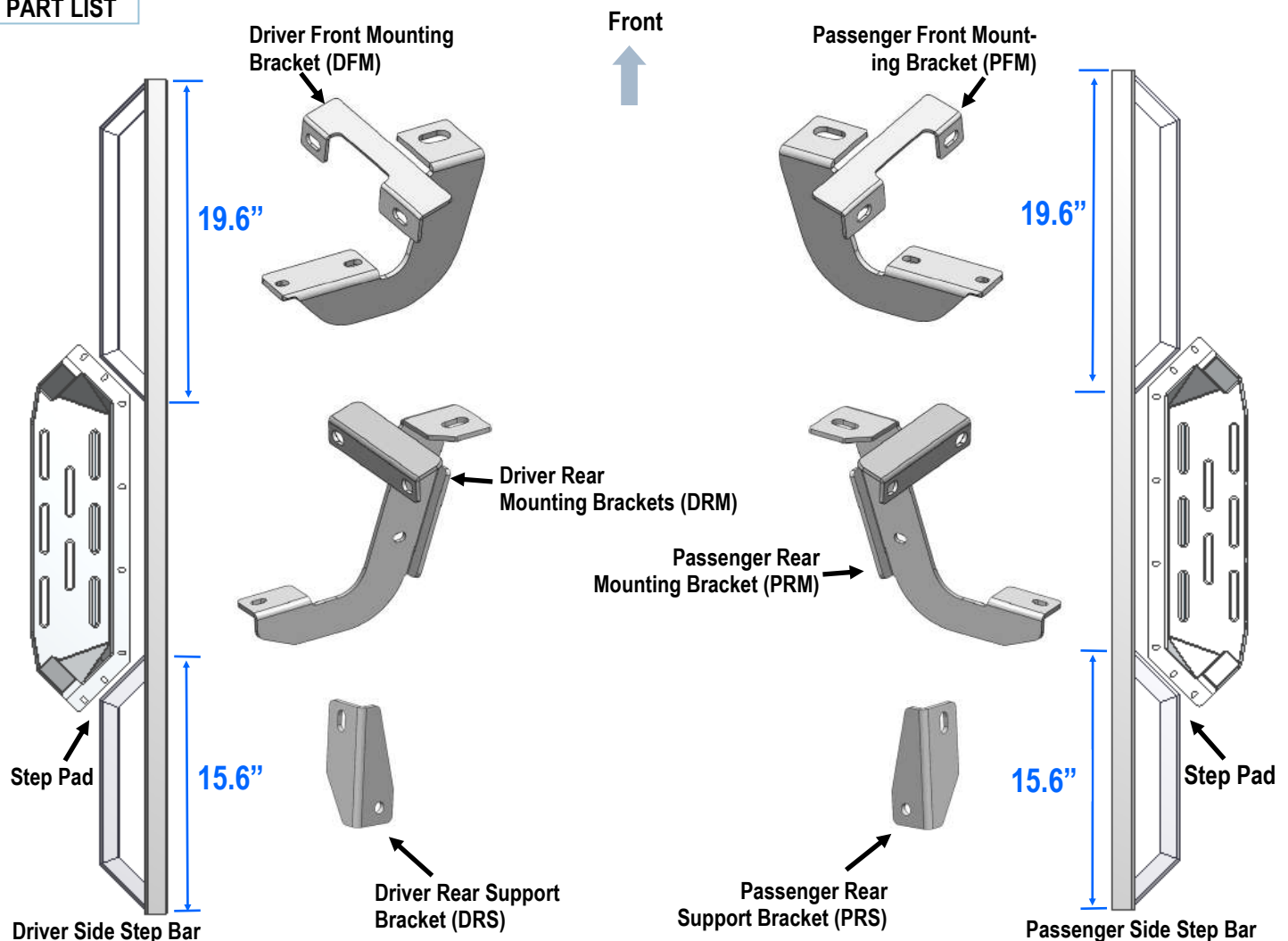
*ROCKER PANEL MOUNT

*DRILLING NOT REQUIRED

Torque Value

Fastener Size	Tightening Torque (ft-lbs)	Required
6mm	6-7	√
8mm	16-18	√
10mm	31-32	X
12mm	56-58	X
14mm	92-94	X

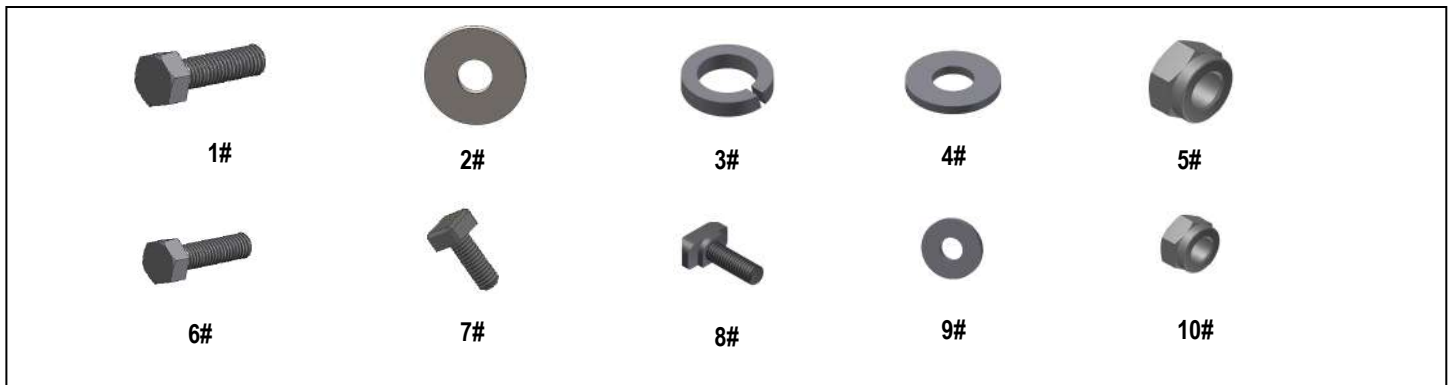
PART LIST



Customer Support: info@iarmorauto.com

iArmor[®]

Hardware Package					
Item	QTY	Description	Item	QTY	Description
1#	6	M8X1.25-35 Hex Bolts	6#	8	M6X1-25 Hex Bolts
2#	4	M8 Large Flat Washers	7#	4	M6X1-20 Square Head Bolts
3#	4	M8 Lock Washers	8#	20	M6X1-20 T- Bolts
4#	4	M8 Flat Washers	9#	40	M6 Large Flat Washers
5#	2	M8X1.25 Nylon Lock Washers	10#	32	M6X1 Nylon Lock Nuts



iArmor[®]

The instruction here is for your reference only. We strongly recommend the professional installer for best result. We are not responsible for any damage caused by the installation.

STEP 1

Install the Step Pads onto the step bars with (16) M6X1-20 T-Bolts, (16) M6 Large Flat Washers and (16) M6 Nylon Lock Nuts.

IMPORTANT: Don't hit the step pad with any metal hammer within step pad installation, or the step pad will be damaged.

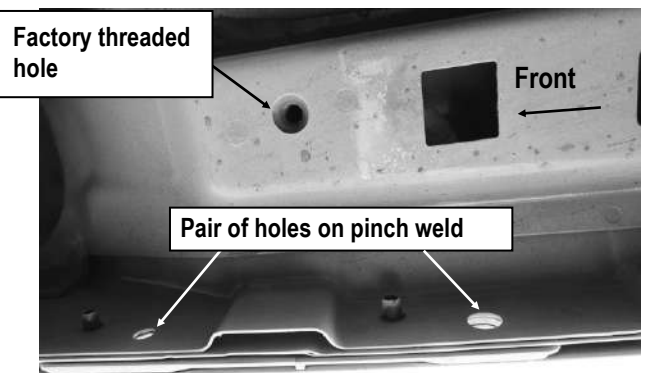
- (8) M6X1-20 T-Bolts
- (8) M6 Large Flat Washers
- (8) M6 Nylon Lock Nuts



Note: Rotate 90° after inserting the T-Bolts into the Channel!!!

STEP 2

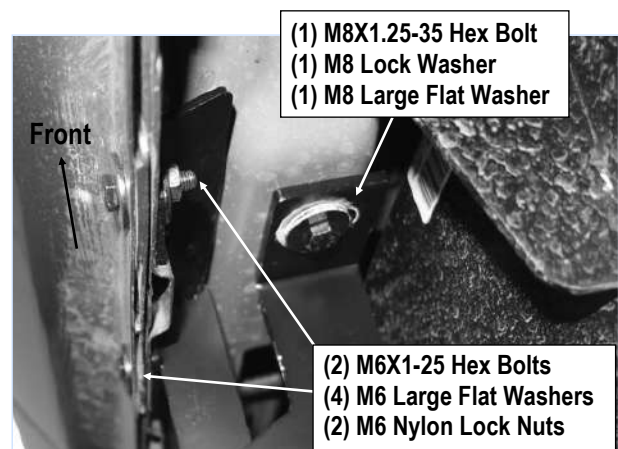
Start installation from the passenger side of the vehicle. Locate the Passenger Side Front Mounting position, locate two holes on the pinch weld and one threaded hole on the bottom floor, (Fig 1).



(Fig 1) Passenger Side Front Mounting Location

STEP 3

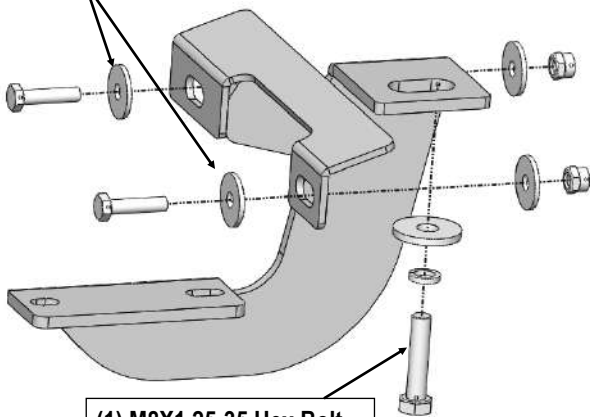
Attach the Passenger Front Mounting Bracket (PFM) on the mounting position. Specifically mount Passenger Front Mounting Bracket to the bottom threaded hole with (1) M8X1.25-35 Hex Bolt, (1) M8 Large Flat Washer and (1) M8 Lock Washer; install Passenger Front Support Bracket to the pinch weld with (2) M6X1-25 Hex Bolts, (4) M6 Large Flat Washers, and (2) M6 Nylon Lock Nuts, (Fig 2&3). Do not fully tighten hardware at this time.



(Fig 2) Passenger Front Mounting Bracket Installed

iArmor®

- (2) M6X1-25 Hex Bolts
- (4) M6 Large Flat Washers
- (2) M6 Nylon Lock Nuts

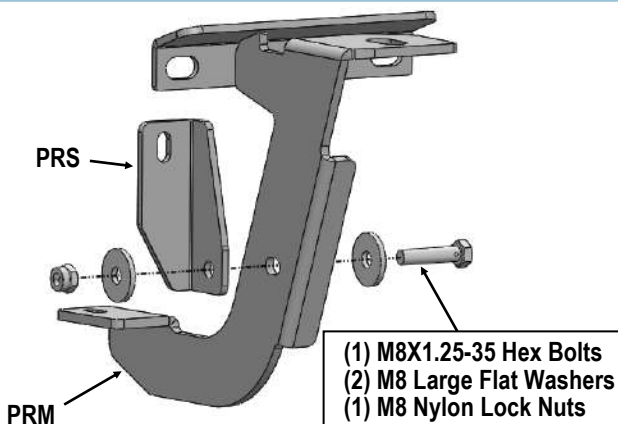


- (1) M8X1.25-35 Hex Bolt
- (1) M8 Lock Washer
- (1) M8 Large Flat Washer

(Fig 3) Passenger Front Mounting Bracket Installation

STEP 4

Assemble the Passenger Rear Mounting Bracket (PRM) and Passenger Rear Support Bracket (PRS) with (1) M8X1.25-35 Hex Bolt, (2) M8 Large Flat Washers and (1) M8 Nylon Lock Nut, (Fig 4). Do not fully tighten hardware at this time.

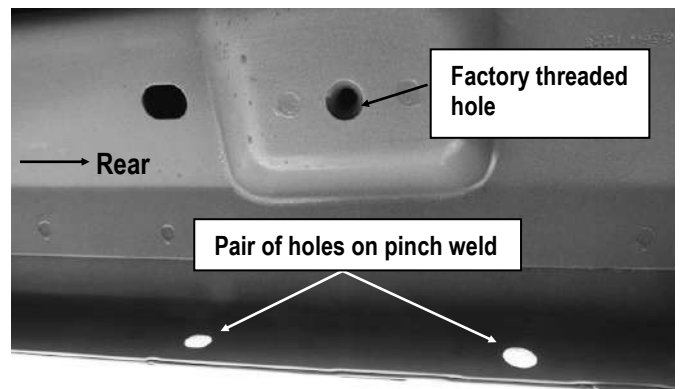


- (1) M8X1.25-35 Hex Bolts
- (2) M8 Large Flat Washers
- (1) M8 Nylon Lock Nuts

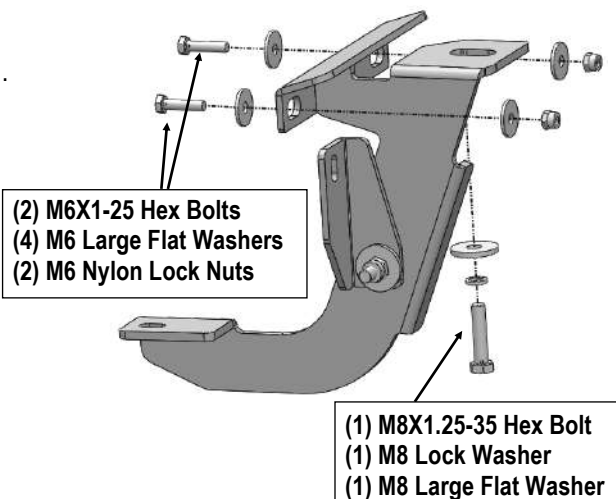
(Fig 4) Passenger Rear Mounting Brackets Assembly

STEP 5

Locate the Passenger Side Rear Mounting position on vehicle (Fig 5). Attach the assembled Passenger Rear Mounting Bracket to the mounting position, (Fig 6). Mount PRM to the bottom threaded hole with (1) M8X1.25-35 Hex Bolt, (1) M8 Large Flat Washer and (1) M8 Lock Washer; install to the pinch weld with (2) M6X1-25 Hex Bolt, (4) M6 Large Flat Washers, and (2) M6 Nylon Lock Nuts. Do not fully tighten hardware at this time.



(Fig 5) Passenger Side Rear Mounting Location



- (2) M6X1-25 Hex Bolts
- (4) M6 Large Flat Washers
- (2) M6 Nylon Lock Nuts

- (1) M8X1.25-35 Hex Bolt
- (1) M8 Lock Washer
- (1) M8 Large Flat Washer

(Fig 6) Passenger Rear Mounting Brackets Installation

iArmor[®]

STEP 6

Once (2) passenger side brackets are installed, attach the assembled Passenger Side Step Bar onto the Mounting Brackets with (2) M6X1-20 T-Bolts, (2) M6X1-20 Square Head Bolts, (4) M6 Large Flat Washers and (4) M6 Nylon Lock Nuts, **(Fig 7)**. Do not tighten hardware.

STEP 7

Properly level and adjust the Step Bar and fully tighten all hardware.

STEP 8

Move to the other side of the vehicle. Repeat **Steps 2-7** for the other Side Step Bar installation.

Attention

Do periodic inspections to the installation to make sure that all hardware is secure and tight.

In order to protect your bars/boards, please use mild soap/non-abrasive products for cleaning only.

(Fig 7) Passenger Side Step Bar Installation

