

## IARMOR EDGE™

PART#: IA-N095

### BEFORE INSTALLATION

REMOVE CONTENTS FROM BOX. VERIFY ALL PARTS ARE PRESENT. READ INSTRUCTIONS CAREFULLY BEFORE STARTING INSTALLATION. ASSISTANCE IS RECOMMENDED. THANK YOU FOR CHOOSING OUR PRODUCT!

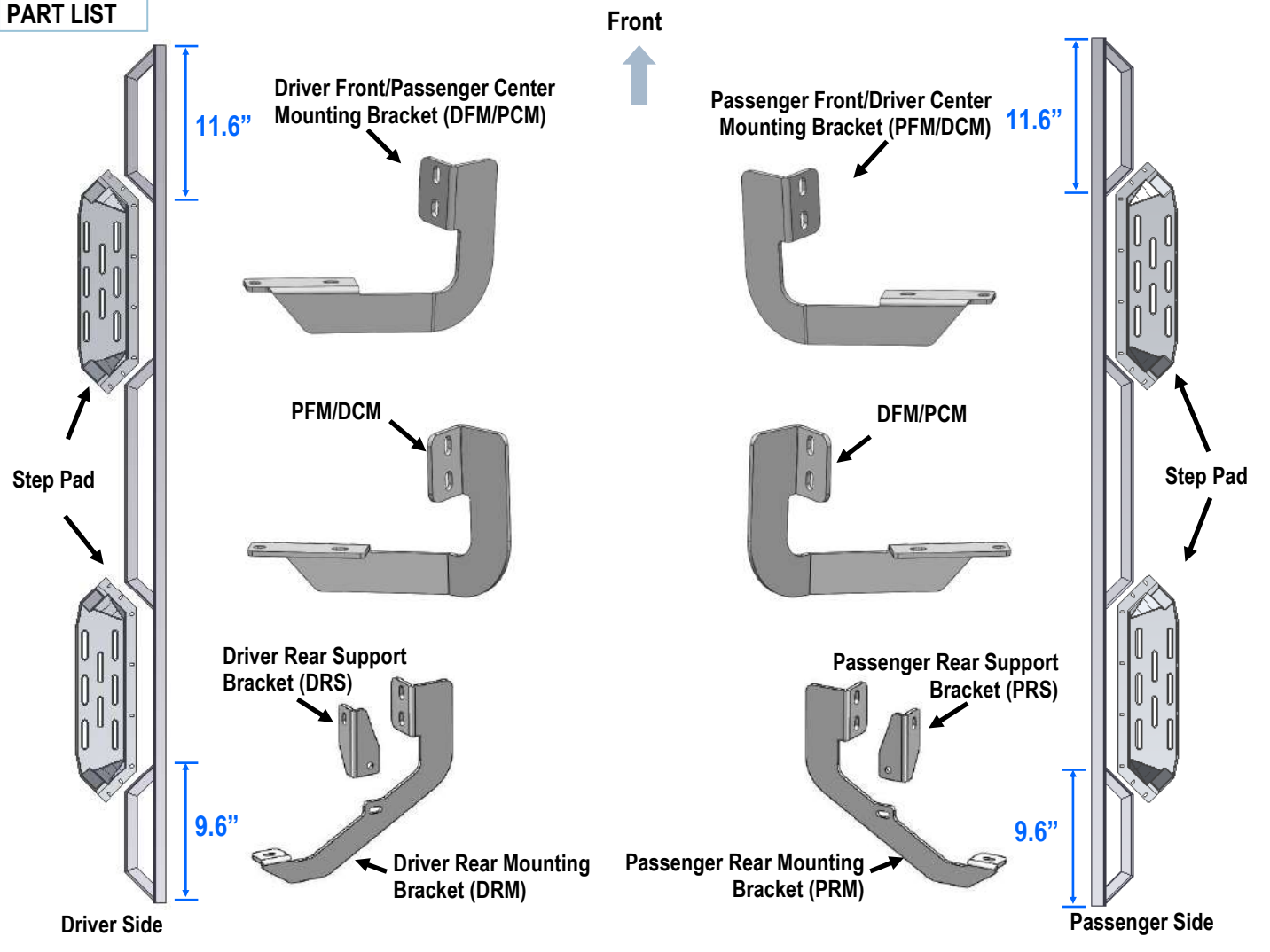
\*DRILLING NOT REQUIRED

\*TRIMMING NOT REQUIRED

### Torque Value

Fastener Size	Tightening Torque (ft-lbs)	Required
6mm	6-7	√
8mm	16-18	√
10mm	31-32	X
12mm	56-58	X
14mm	92-94	X

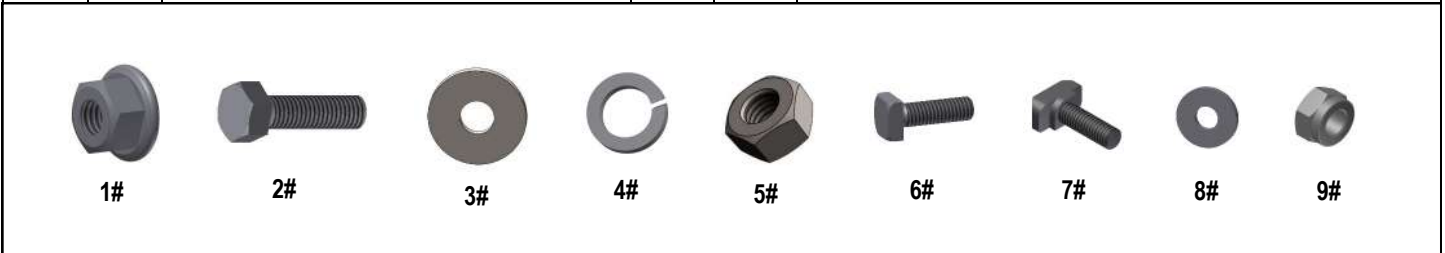
### PART LIST



# iArmor<sup>®</sup>

## Hardware Package A (For Brackets & Step Bars Installation)

Item	QTY	Description	Item	QTY	Description
1#	12	M8 Hex Flange Nuts	6#	4	M6X1-20mm Square Head Bolts
2#	2	M8X1.25-25mm Hex Bolts	7#	40	M6X1-20mm T Bolts
3#	4	M8 Flat Washers	8#	44	M6 Large Flat Washers
4#	2	M8 Lock Washers	9#	44	M6 Nylon Lock Nuts
5#	2	M8 Hex Nuts			



# iArmor<sup>®</sup>

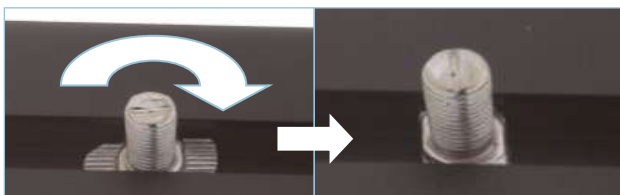
The instruction here is for your reference only. We strongly recommend the professional installer for best result. We are not responsible for any damage caused by the installation.

## STEP 1

Install the Step Pads onto the step bars with (32) M6X1-20mm T-Bolts, (32) M6 Large Flat Washers and (32) M6 Nylon Lock Nuts.

**IMPORTANT:** Don't hit the step pad with any metal hammer within step pad installation, or the step pad will be damaged.

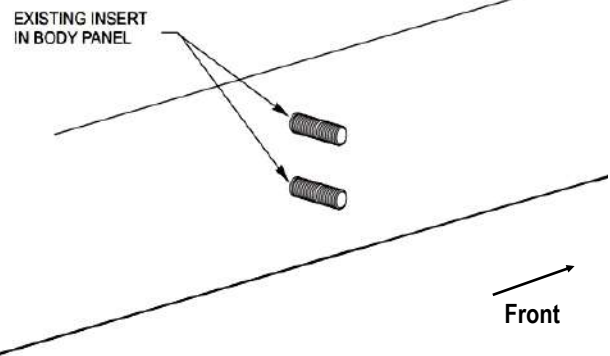
- (8) M6X1-20 T-Bolts
- (8) M6 Large Flat Washers
- (8) M6 Nylon Lock Nuts



**Note: Rotate 90° after inserting the T-Bolts into the Channel!!!**

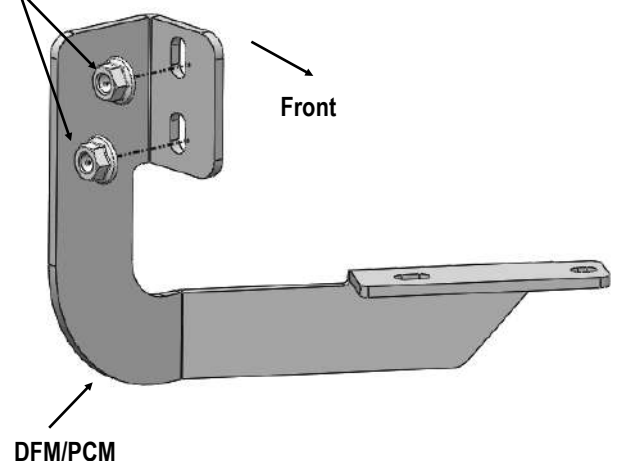
## STEP 2

Start the installation from the driver side front of the vehicle, **(Fig 1)**. Attach (1) Driver Front Mounting Bracket **(DFM/PCM)**, to the (2) factory studs with (2) M8 Hex Flange Nuts, **(Fig 2)**. Do not fully tighten hardware at this time.



**(Fig 1) Driver Side Front Mounting Location Pictured**

- (2) M8 Hex Flange Nuts

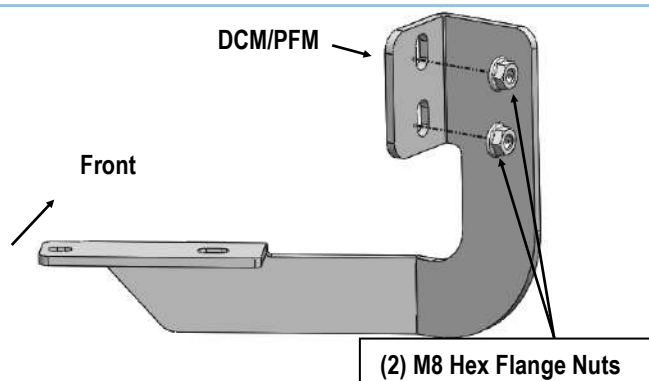


**(Fig 2) Driver Front Mounting Bracket Installation**

# iArmor®

## STEP 3

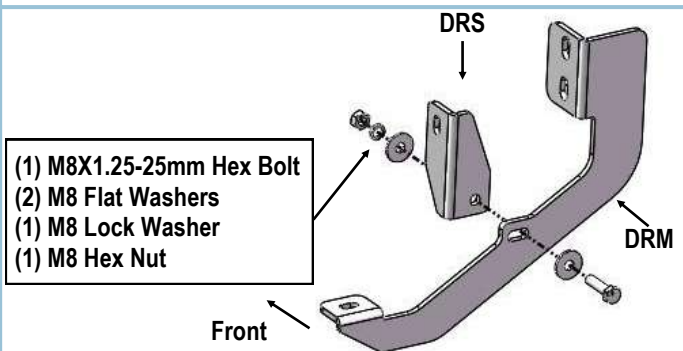
Move to the Driver Side Center Mounting Location, repeat **STEP 2** to install the Driver Center Mounting Bracket (**DCM/PFM**) to the (2) factory studs with (2) M8 Hex Flange Nuts, (**Fig 3**). Do not fully tighten hardware at this time.



(Fig 3) Driver Center Mounting Bracket Installation

## STEP 4

Assemble (1) Driver Rear Mounting Bracket (**DRM**) and (1) Driver Rear Support Bracket (**DRS**) with (1) M8X1.25-25mm Hex Bolt, (1) M8 Lock Washer, (2) M8 Flat Washers and (1) M8 Hex Nut, (**Fig 4**). Repeat **STEP 2** to install the driver side rear mounting bracket. Do not fully tighten hardware at this time.



(Fig 4) Driver Side Rear Brackets Assembly

## STEP 5

Once all (3) driver side mounting brackets are installed, attach the Assembled Driver Side Step Bar onto the brackets with (4) M6X1-20mm T-Bolts, (2) M6X1-20mm Square Head Bolts, (6) M6 Large Flat Washers and (6) M6 Nylon Lock Nuts, (**Fig 5**). Do not fully tighten hardware at this time.

## STEP 6

Properly level and adjust the Step Bar and fully tighten all hardware.

## STEP 7

Move to the passenger side of the vehicle. Repeat **Steps 2-6** to install passenger side step bar.

### Attention

Do periodic inspections to the installation to make sure that all hardware is secure and tight.

In order to protect your bars/boards, please use only mild soap/non-abrasive products for cleaning.

# iArmor<sup>®</sup>

