

# iArmor®

## iArmor® by APS

PART#: IA-S097&S098

### BEFORE INSTALLATION

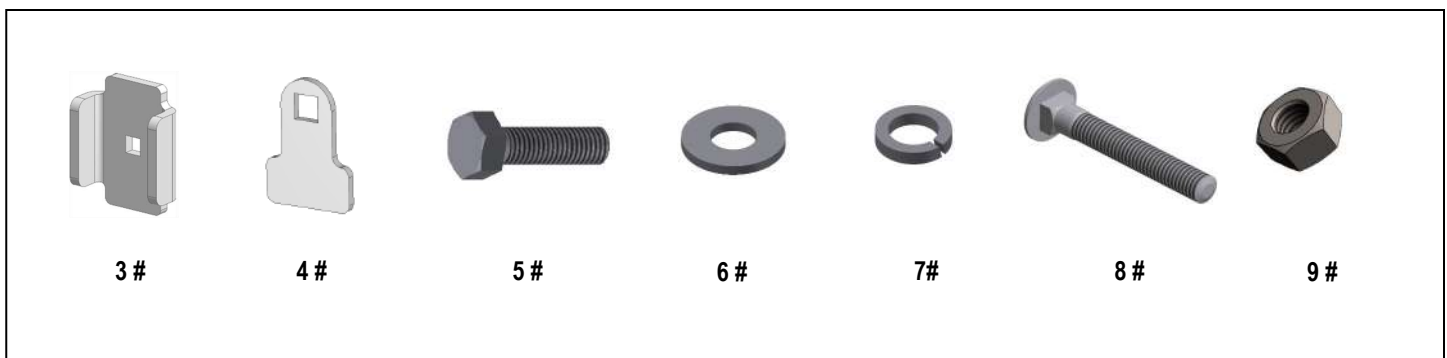
REMOVE CONTENTS FROM BOX. VERIFY ALL PARTS ARE PRESENT. READ INSTRUCTIONS CAREFULLY BEFORE STARTING INSTALLATION. ASSISTANCE IS RECOMMENDED. THANK YOU FOR CHOOSING OUR PRODUCT!

\*ROCKER PANEL MOUNT

\*NO DRILLING / TRIMMING REQUIRED

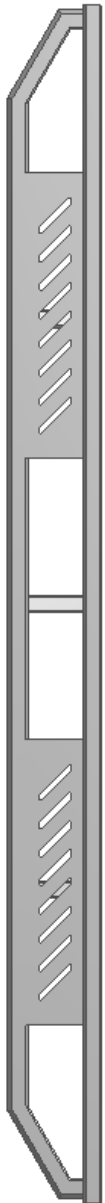
Fastener Size	Tightening Torque (ft-lbs)	Required
6mm	6-7	X
8mm	16-18	√
10mm	31-32	X
12mm	56-58	X
14mm	92-94	X

Item	QTY	Description	Item	QTY	Description
1#	2	Driver/Passenger Front Mounting Brackets	6#	18	M8 Large Flat Washers
2#	4	Driver/Passenger Center / Rear Mounting Brackets	7#	18	M8 Lock Washers
3#	6	U Brackets	8#	6	M8X1.25-55mm Carriage Bolts
4#	12	Spacers	9#	6	M8X1.25 Hex Nuts
5#	12	M8X1.25-30mm Hex Bolts			



# iArmor<sup>®</sup>

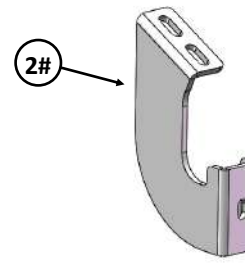
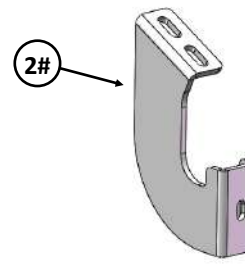
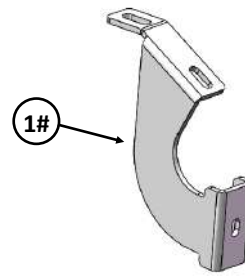
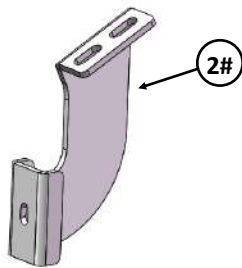
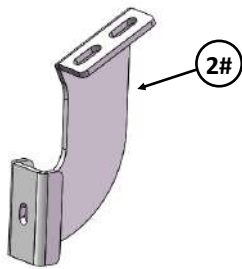
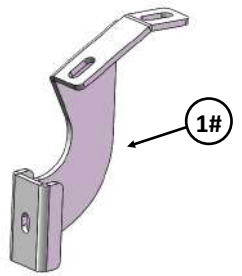
Driver



Front



Passenger

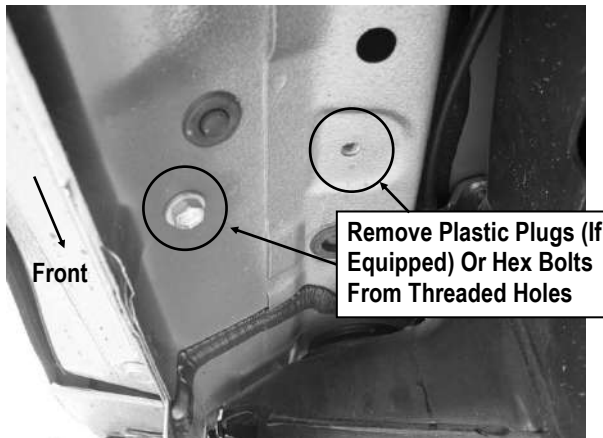


# iArmor®

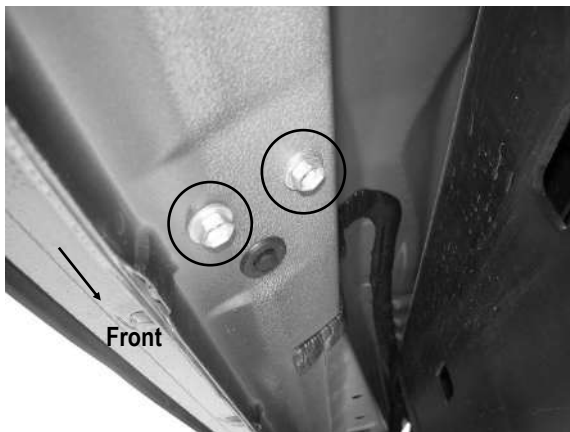
The instruction here is for your reference only. We strongly recommend the professional installer for best result. We are not responsible for any damage caused by the installation.

## STEP 1

Start the installation under the driver side of the vehicle. Determine Driver Side Front, Center and Rear Mounting Locations (Figs 1 & 2).



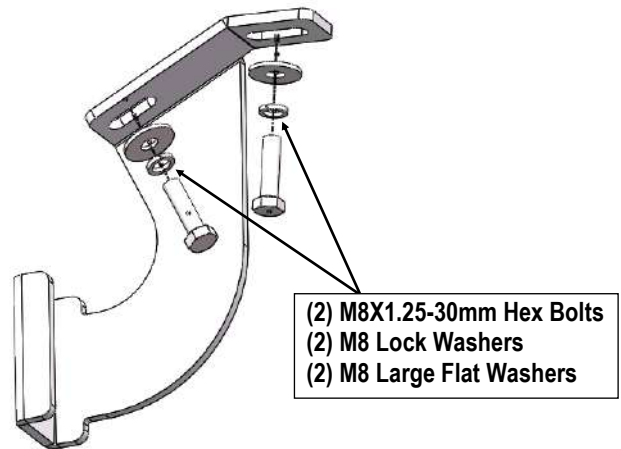
(Fig 1) Driver Side Front Mounting Location



(Fig 2) Driver Side Center/Rear Mounting Location

## STEP 2

Attach the Driver Front Mounting Bracket to the body panel by using (2) M8X1.25-30mm Hex Bolts, (2) M8 Large Flat Washers and (2) M8 lock washers. Don't fully tighten at this time, (Figs 3 & 4).



(Fig 3) Driver Front Mounting Bracket Installation



(Fig 4) Driver Front Mounting Bracket Installed

## STEP 3

Repeat **Step 2** to install the remaining driver side center and rear mounting brackets (Fig 5).

**Note:** Driver/Passenger Center and Rear Mounting Brackets are universal.

# iArmor®



(Fig 5) Driver Center/Rear Mounting Bracket Installed

## STEP 4

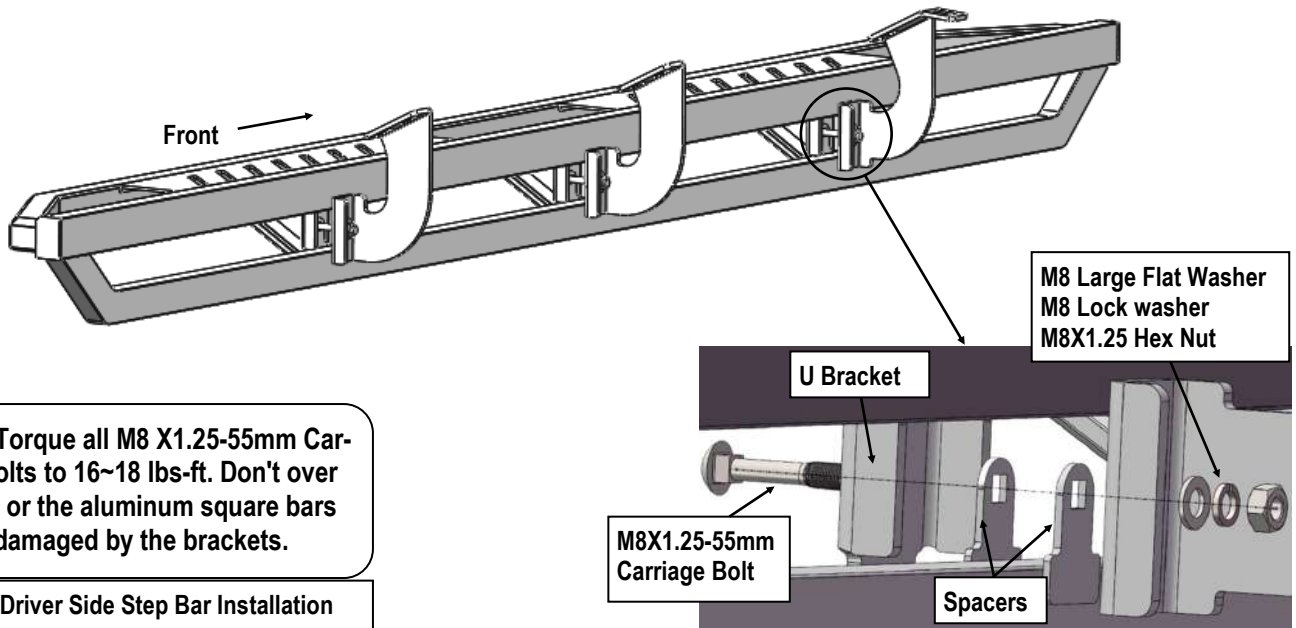
Once all (3) driver side mounting brackets are installed, select and attach the Driver Side Step Bar onto the Mounting Brackets with (3) U Brackets, (6) Spacers, (3) M8X1.25-55mm Carriage Bolts, (3) M8 Large Flat Washers, (3) M8 Lock Washers and (3) M8X1.25 Hex Nuts (Fig 6). Do not fully tighten hardware at this time.

## STEP 5

Properly level and adjust the Step Bar and fully tighten all hardware.

## STEP 6

Move to the passenger side of the vehicle. Repeat **Steps 1-5** to install the passenger side step bar. Installation completed.



**NOTE:** Torque all M8 X1.25-55mm Carriage Bolts to 16~18 lbs-ft. Don't over tighten, or the aluminum square bars will be damaged by the brackets.

(Fig 6) Driver Side Step Bar Installation

### Attention

Do periodic inspections to the installation to make sure that all hardware is secure and tight. In order to protect your bars/boards, please use only mild soap/non-abrasive products for cleaning.