

iBoard®

iBoard® by APS

PART#: IB-R222

READ INSTRUCTIONS CAREFULLY BEFORE STARTING INSTALLATION. REMOVE CONTENTS FROM BOX AND VERIFY ALL PARTS ARE PRESENT. ASSISTANCE IS RECOMMENDED.

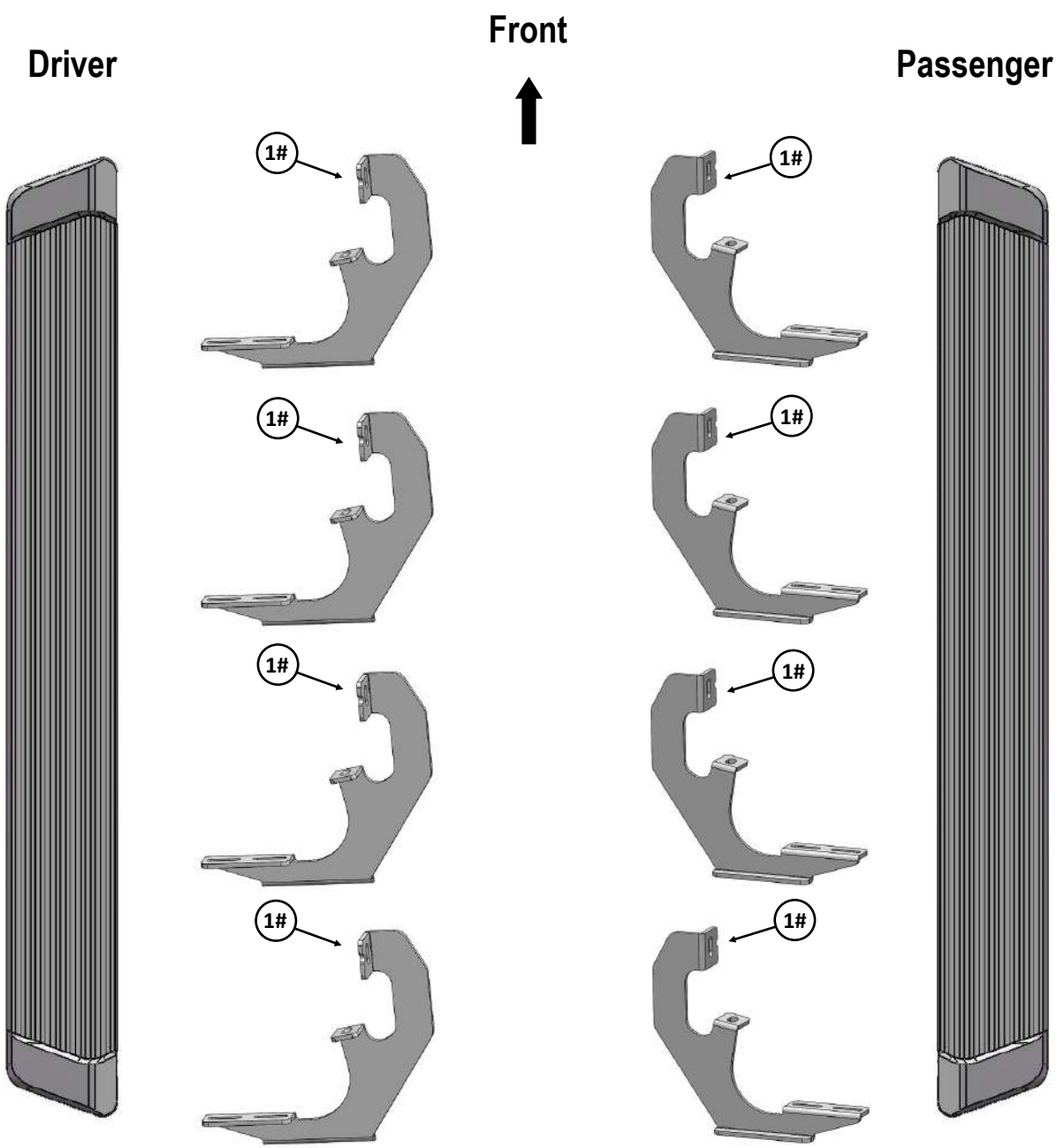
*ROCKER PANEL MOUNT
*NO DRILLING REQUIRED

Fastener Size	Tightening Torque (ft-lbs)	Required
6mm	6-7	√
8mm	16-18	√
10mm	31-32	X
12mm	56-58	X
14mm	92-94	X

Item	QTY	Description	Item	QTY	Description
1#	8	Mounting Brackets	5#	16	M6X1-20mm Square Head Bolts
2#	16	M8X1.25-30mm Hex Bolts	6#	16	M6 Large Flat Washers
3#	16	M8 Large Flat Washers	7#	16	M6X1 Nylon Lock Nuts
4#	16	M8 Lock Washers			



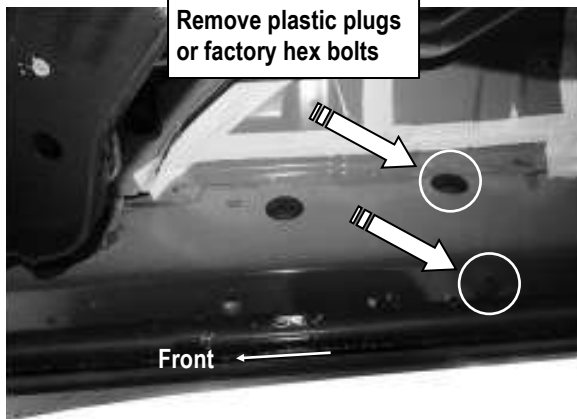
iBoard®



iBoard®

STEP 1

Start the installation under the passenger side front of the vehicle. Remove plastic plugs or factory hex bolts from the mounting location, (Fig 1).



(Fig 2) Passenger Side Front Mounting Location

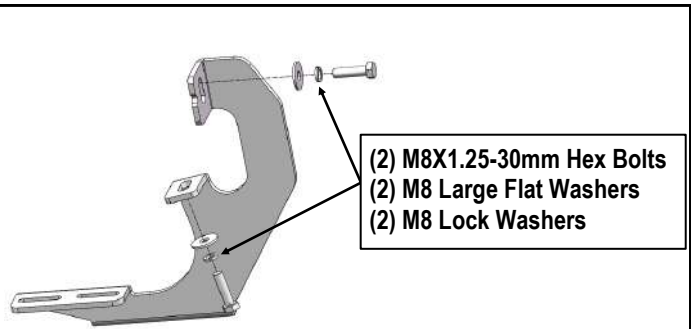
STEP 2

Select (1) Mounting Bracket. Bolt the Mounting Bracket to the factory threaded holes with (2) M8X1.25-30mm Hex Bolts, (2) M8 Large Flat Washers and (2) M8 Lock Washers (Fig 2). Don't fully tighten hardware at this time.

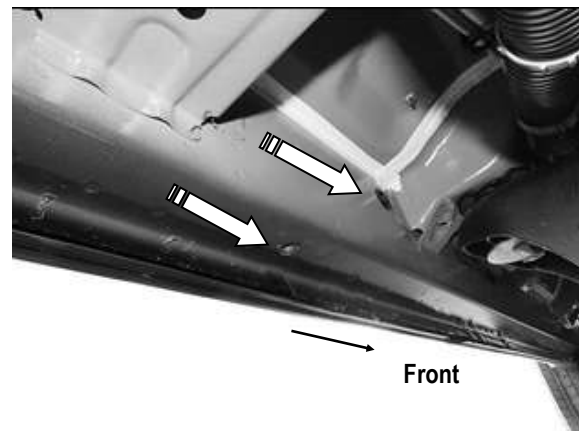
Note: (8) Mounting Brackets are universal.

STEP 3

Move to Passenger 2nd, 3rd and rear Mounting locations, (Fig 3-5). Repeat **Steps 1-2** to install the Passenger Side 2nd, 3rd and rear Mounting Brackets. Don't fully tighten hardware at this time.



(Fig 2) Passenger Front Mounting Bracket Installed

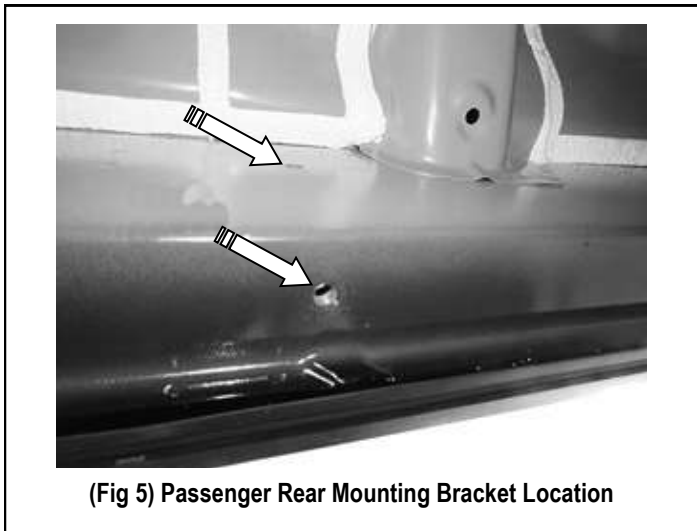


(Fig 3) Passenger 2nd Mounting Bracket Location



(Fig 4) Passenger 3rd Mounting Bracket Location

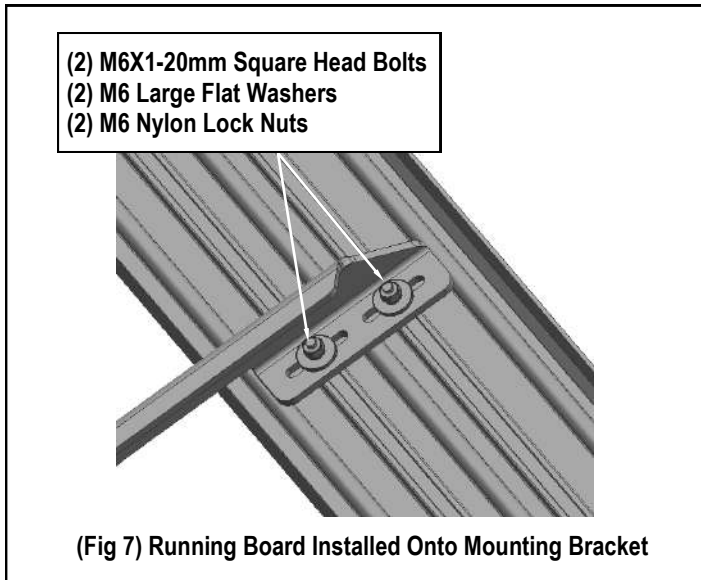
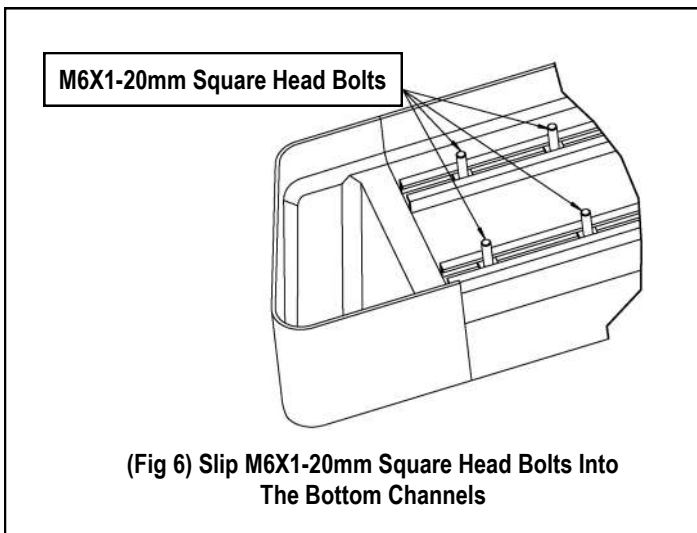
iBoard®



STEP 4

Select a Running Board. Slip (4) M6x1-20mm Square Head Bolts into each bottom channel (Fig 6). Carefully position the Running Board onto the (4) Mounting Brackets.

IMPORTANT: Do not slide the Running Board on the Brackets or the bottom surface of the board will be damaged. Attach the Running Board to each Mounting Bracket with (2) M6x1-20mm Square Head Bolts, (2) M6 Large Flat Washers and (2) M6 X1 Nylon Lock Nuts (Fig 7). Do not fully tighten at this time.



STEP 5

Level and adjust the Running Board and fully tighten all hardware.

Important: Please follow the recommended Tightening Torques shown in the table on page 1. Don't over tighten, or the nuts/bolts will be damaged.

STEP 6

Repeat **Steps 1-5** for the other side Running Board installation. The installation is completed .

Attention

Do periodic inspections to the installation to make sure that all hardware is secure and tight.

In order to protect your bars/boards, please use only mild soap/non-abrasive products for cleaning.