

# iBoard®



Scan for  
Installation Video

## iBoard® by APS

PART#: IB-R296

READ INSTRUCTIONS CAREFULLY BEFORE STARTING INSTALLATION. REMOVE CONTENTS FROM BOX AND VERIFY ALL PARTS ARE PRESENT. ASSISTANCE IS RECOMMENDED.

\*ROCKER PANEL MOUNT  
\*NO DRILLING REQUIRED

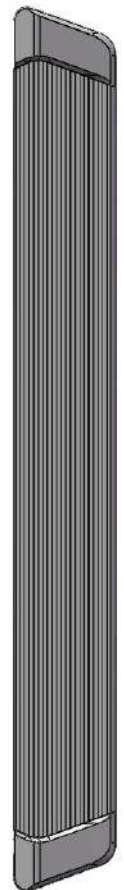
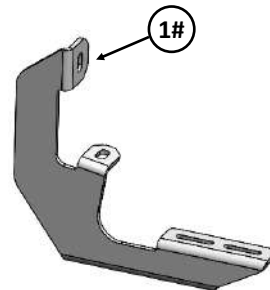
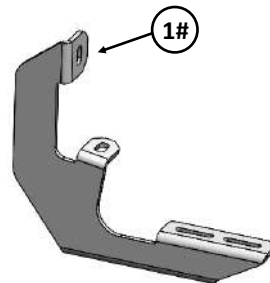
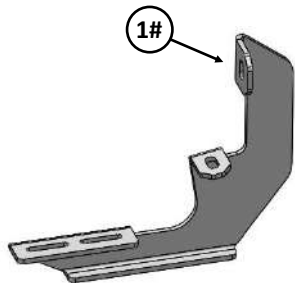
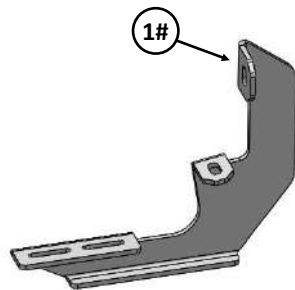
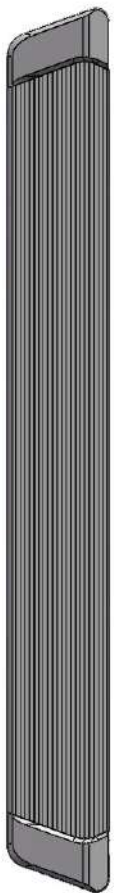
Fastener Size	Tightening Torque (ft-lbs)	Required
6mm	6-7	√
8mm	16-18	√
10mm	31-32	X
12mm	56-58	X
14mm	92-94	X

Driver

Front



Passenger



Customer Support: [info@iboardauto.com](mailto:info@iboardauto.com)



## Hardware Package A (For Bracket Installation)

Item	QTY	Description	Item	QTY	Description
1#	4	Mounting Brackets	3#	8	M8 Large Flat Washers
2#	8	M8X1.25-30mm Hex Bolts	4#	8	M8 Lock Washers



2 #



3 #



4 #

## Hardware Package B (For Step Bar Installation)

Item	QTY	Description	Item	QTY	Description
1#	8	M6X1-20mm Square Head Bolts	3#	8	M6 Nylon Lock Nuts
2#	8	M6 Large Flat Washers			



1#



2#



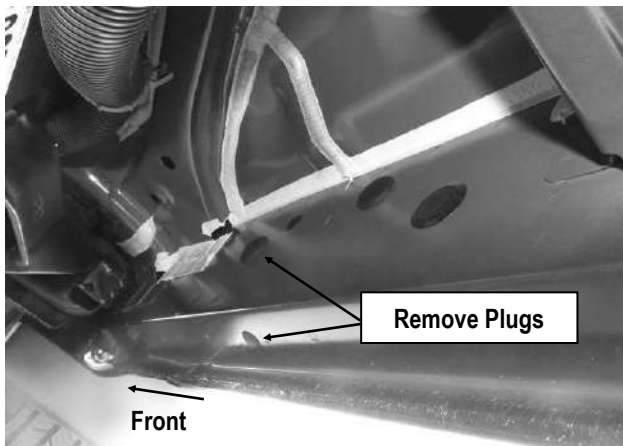
3#



## STEP 1

Start installation from the driver side front of the vehicle. Locate the plastic plugs along the bottom edge of the body, (**Fig 1**). Remove the plastic plugs from the front mounting location. Directly above each threaded insert is a top mounting location on the side of the body panel. Hold a Bracket up in place to help determine the correct mounting holes to use along the body.

**NOTE:** Thread an M8 Hex Bolt into the threaded inserts to clear paint as required.



(Fig 1) Remove The Plastic Plugs

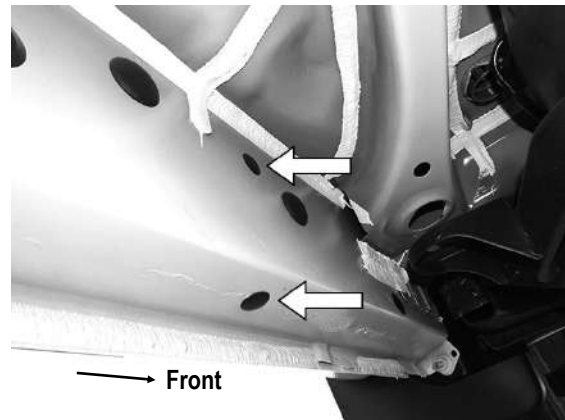
## STEP 2

Start from the driver front mounting location, (**Fig 2**). Select (1) Mounting Bracket. Bolt the Mounting Bracket to the factory threaded holes with (2) M8X1.25-30mm Hex Bolts, (2) M8 Lock Washers and (2) M8 Large Flat Washers, (**Fig 3**). Do not fully tighten hardware at this time.

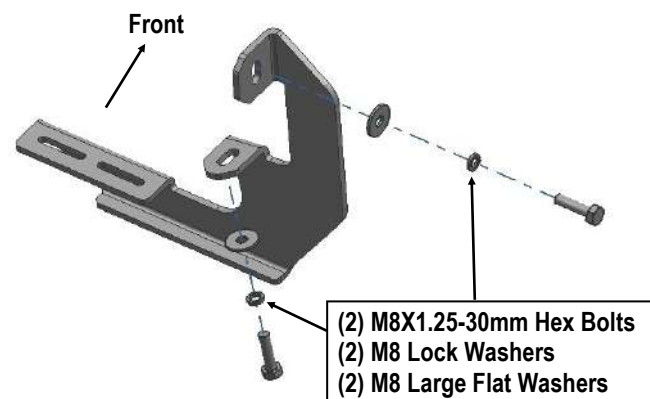
## STEP 3

Continue move to the driver side rear of the vehicle, (**Fig 4**). Repeat **Steps 1 – 2** to install the remaining driver side Bracket in the rear location.

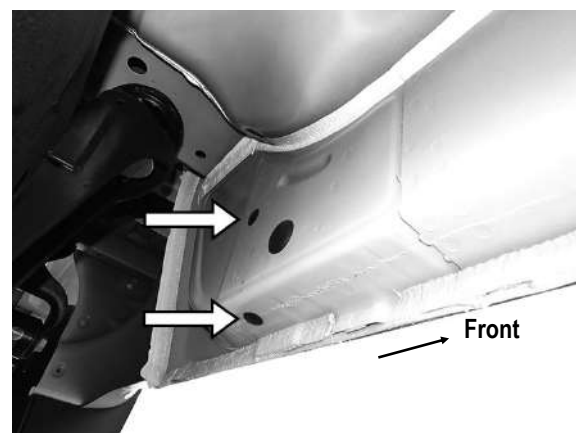
**Note:** (4) Mounting Brackets are universal.



(Fig 2) Driver Front Mounting Location



(Fig 3) Driver Side Front Mounting Bracket Installation



(Fig 4) Driver Side Rear Mounting Location

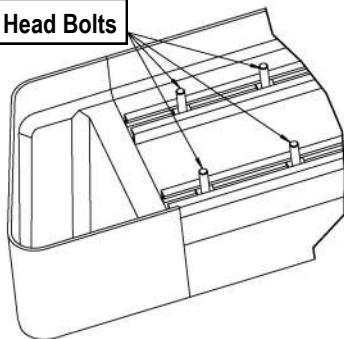


## STEP 4

Once all (2) mounting brackets are installed. Select a Running Board. Slip (2) M6X1-20mm Square Head Bolts into each bottom channel (**Fig 5**). Carefully position the Running Board onto the (2) Mounting Brackets. Attach the Running Board to each Mounting Bracket with (2) M6X1-20mm Square Head Bolts, (2) M6 Large Flat Washers and (2) M6 Nylon Lock Nuts (**Fig 6**). Do not fully tighten at this time.

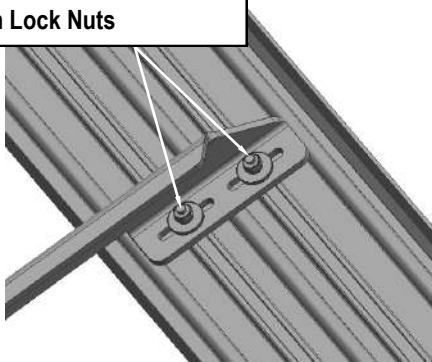
**IMPORTANT:** Do not slide the Running Board on the Brackets or the bottom surface of the board will be damaged.

M6X1-20mm Square Head Bolts



(Fig 5) Slip M6X1-20mm Square Head Bolts Into The Bottom Channels

(2) M6X1-20mm Square Head Bolts  
(2) M6 Large Flat Washers  
(2) M6 Nylon Lock Nuts



(Fig 6) Running Board Installed Onto Mounting Bracket

## STEP 5

Level and adjust the Running Board and fully tighten all hardware.

**Important:** Please follow the recommended Tightening Torques shown in the table on page 1. Don't over tighten, or the nuts/bolts will be damaged.

## STEP 6

Repeat **Steps 1-5** for the other side Running Board installation. The installation is completed.

### Attention

Do periodic inspections to the installation to make sure that all hardware is secure and tight.

In order to protect your bars/boards, please use mild soap/non-abrasive products for cleaning only.