

iBoard®

iBoard® by APS

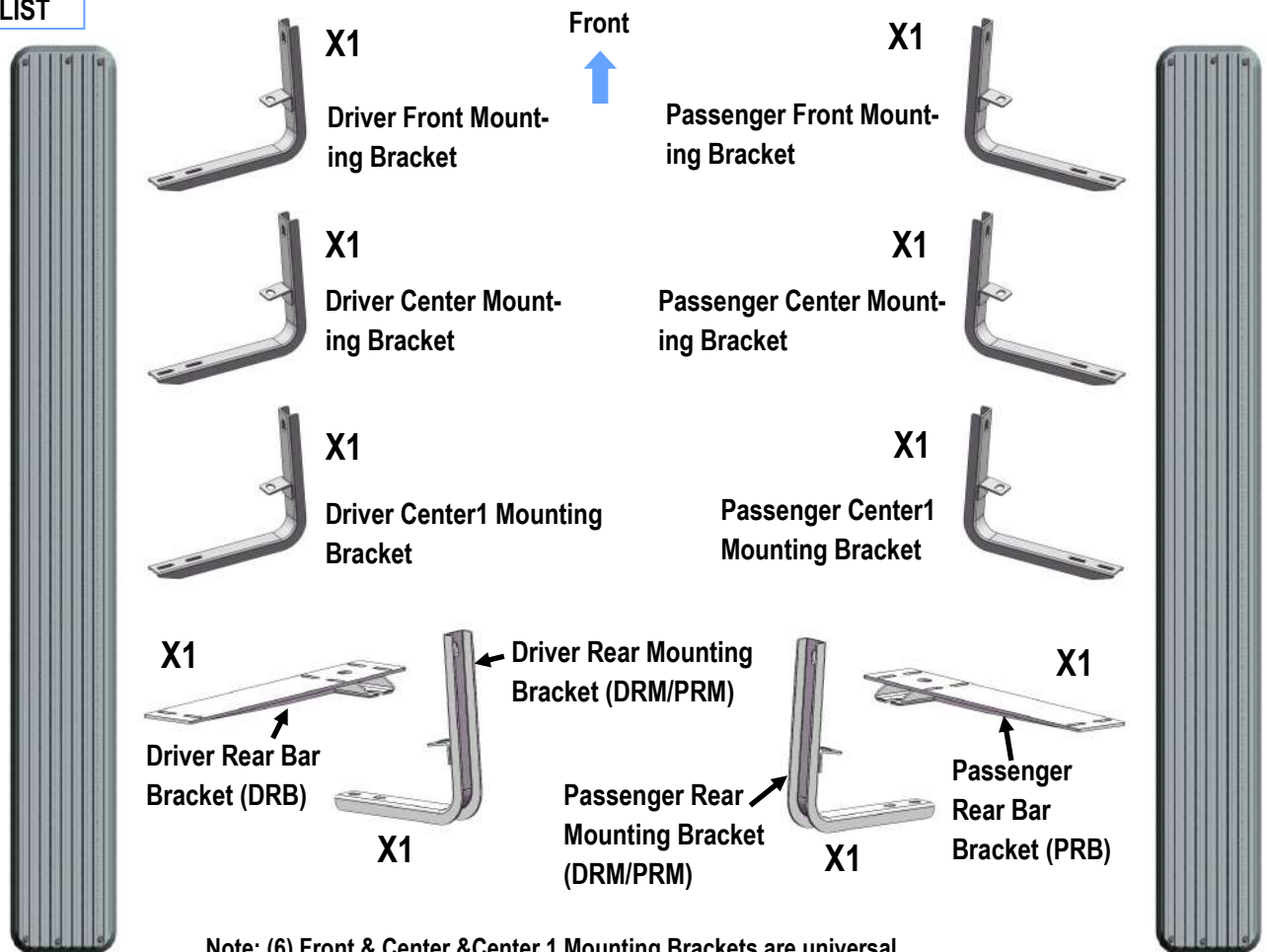
PART#: IB-171[S,L]-A_B

READ INSTRUCTIONS CAREFULLY BEFORE STARTING INSTALLATION. REMOVE CONTENTS FROM BOX AND VERIFY ALL PARTS ARE PRESENT. ASSISTANCE IS RECOMMENDED.

***ROCKER PANEL MOUNT
*No DRILLING REQUIRED**

| Fastener Size | Tightening Torque (ft-lbs) |
|---------------|----------------------------|
| 6mm | 6-7 |
| 8mm | 16-18 |
| 10mm | 31-32 |
| 12mm | 56-58 |
| 14mm | 92-94 |

PART LIST



Note: (6) Front & Center & Center 1 Mounting Brackets are universal.

(2) Driver Rear Mounting Bracket and Passenger Rear Mounting Bracket are universal.

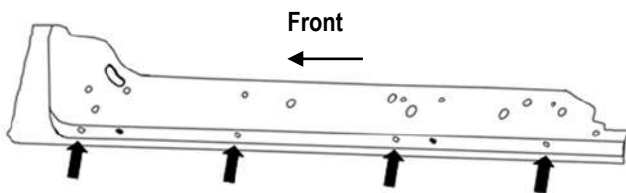
Customer Support: info@iboardauto.com

iBoard®



STEP 1

Start the installation under the passenger side of the vehicle. Locate the 6 plugs along the bottom edge of the body. Mounting Brackets will bolt to the 1st, 3rd, 4th and 6th threaded mounting holes, (Fig 1). Remove the plastic plugs from each mounting location. Directly above each threaded insert is a top mounting location on the side of the body panel. Hold a Bracket up in place to help determine the mounting holes to use along the body. **NOTE:** Thread an 8mm Hex Bolt into the threaded inserts to clear paint as required.

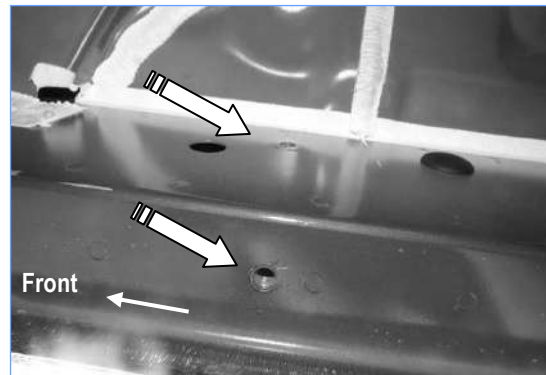


(Fig 1) Passenger Side Mounting Location

STEP 2

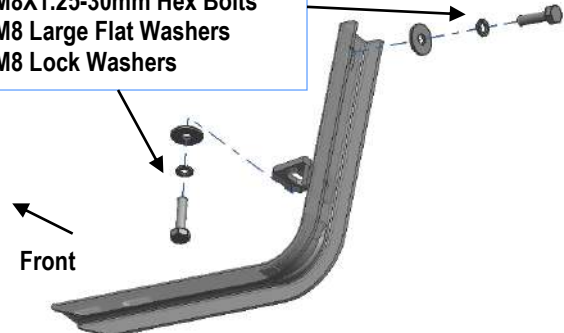
Start from the Passenger side Front Mounting location, (Fig 2). Bolt the Passenger Front Mounting Bracket to the factory

threaded holes with (2) M8X1.25-30mm Hex Bolts, (2) M8 Large Flat Washers and (2) M8 Lock Washers (Fig 3).



(Fig 2) Passenger Side Front Mounting Location

(2) M8X1.25-30mm Hex Bolts
(2) M8 Large Flat Washers
(2) M8 Lock Washers



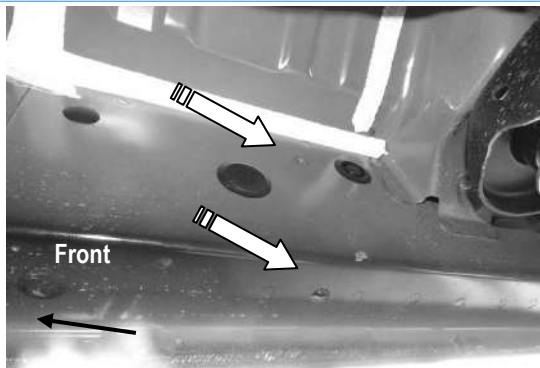
(Fig 3) Passenger Front Mounting Bracket Installed

iBoard®

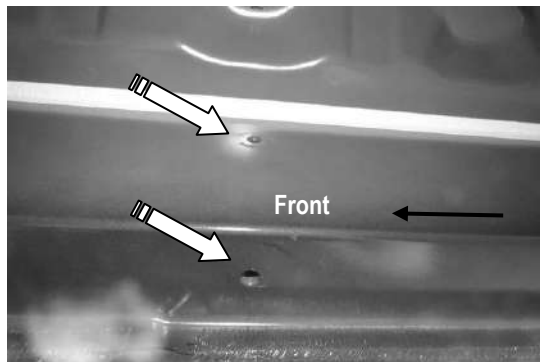
STEP 3

Move to Passenger 2nd & 3rd Mounting locations, (Fig 4-5). Repeat **Steps 1-2** to install the Passenger Center Mounting Bracket and Passenger Center 1 Mounting Bracket.

Note: Passenger Front Mounting Bracket, Passenger Center Mounting Bracket and Passenger Center 1 Mounting Bracket are universal.



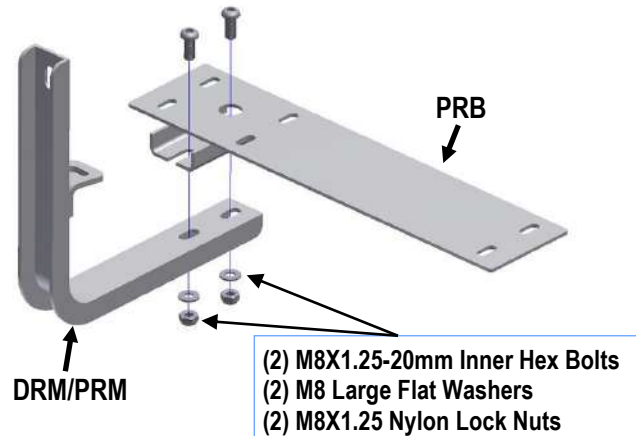
(Fig 4) Passenger 2nd Mounting Location



(Fig 5) Passenger 3rd Mounting Location

STEP 4

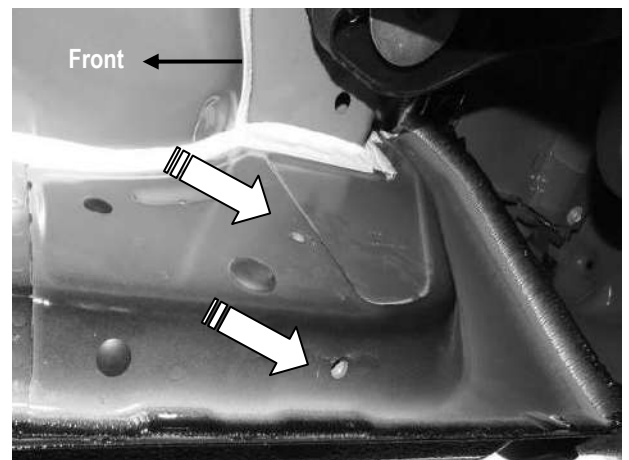
Assemble the Passenger Rear Bar Bracket (**PRB**) and the Passenger Rear Mounting Bracket (**PRM**) with (2) M8X1.25-20mm Inner Hex Bolts, (2) M8 Large Flat Washers, (2) M8X1.25 Nylon Lock Nuts. (Fig 6)



(Fig 6) Passenger Rear Bar Bracket (PRB) and Passenger Rear Mounting Bracket (PRM) Assembly

STEP 5

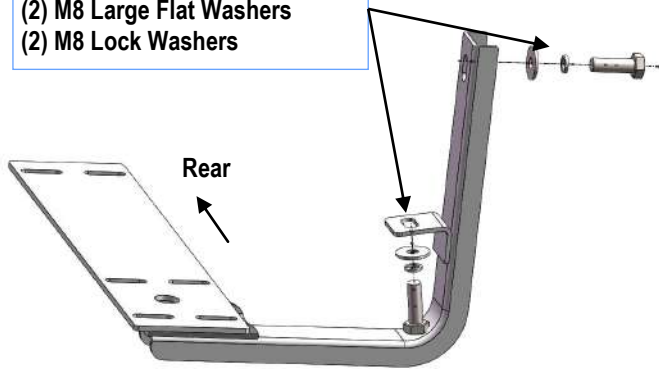
Move to Passenger side Rear Mounting location, (Fig 7). Install the Assembled Passenger Rear Mounting Bracket (**PRM**) with (2) M8X1.25-30mm Hex Bolts, (2) M8 Large Flat Washers and (2) M8 Lock Washers (Fig 8).



(Fig 7) Passenger Side Rear Mounting Location

iBoard®

- (2) M8X1.25-30mm Hex Bolts
- (2) M8 Large Flat Washers
- (2) M8 Lock Washers



(Fig 8) Passenger Rear Mounting Bracket Installed

STEP 6

Select a Running Board. Slip (6) M6X1-20mm Square Head Bolts into each bottom channel (Fig 9). Carefully position the Running Board onto the (4) Mounting Brackets. **IMPORTANT:** Do not slide (front to back) the Running Board on the Brackets or the bottom surface of the running board might be damaged.

Attach the Running Board to Front & Center & Center 1 Mounting Brackets with (2) M6X1-20mm Square Head Bolts, (2) M6 Large Flat Washers and (2) M6X1 Nylon Lock Nuts (Fig 10).

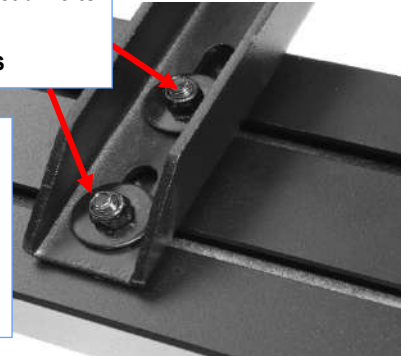
Attach the Running Board to Rear Bar Bracket with (6) M6X1-20mm Square Head Bolts, (6) M6 Large Flat Washers and (6) M6X1 Nylon Lock Nuts (Fig 11). Do not tighten at this time.



(Fig 9) Slip M6X1-20mm Square Head Bolts into the bottom channel

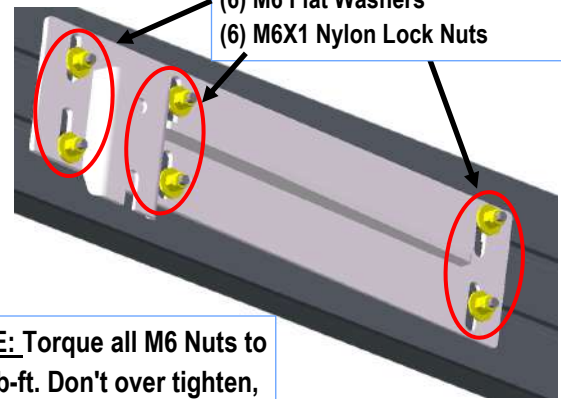
- (2) M6X1-20mm Square Head Bolts
- (2) M6 Flat Washers
- (2) M6X1 Nylon Lock Nuts

NOTE: Torque all M6 Nuts to 6~7 lb-ft. Don't over tighten, or the thread form of the nuts will be damaged.



(Fig 10) Running Board Installed onto Front & Center & Center 1 Mounting Brackets

- (6) M6X1-20mm Square Head Bolts
- (6) M6 Flat Washers
- (6) M6X1 Nylon Lock Nuts



NOTE: Torque all M6 Nuts to 6~7 lb-ft. Don't over tighten, or the thread form of the nuts will be damaged.

(Fig 11) Running Board Installed onto Rear Bar Bracket

STEP 7

Level and adjust the Running Board as necessary and fully tighten all hardware.

STEP 8

Repeat **Steps 1-7** for the driver side Running Board installation. The installation is completed (Fig 12).

iBoard®



(Fig 12) Installation Completed

Attention

Do periodic inspections to the installation to make sure that all hardware is secure and tight.

In order to protect your bars/boards, please use only mild soap/non-abrasive products for cleaning.