

# iBoard®

## iBoard® by APS

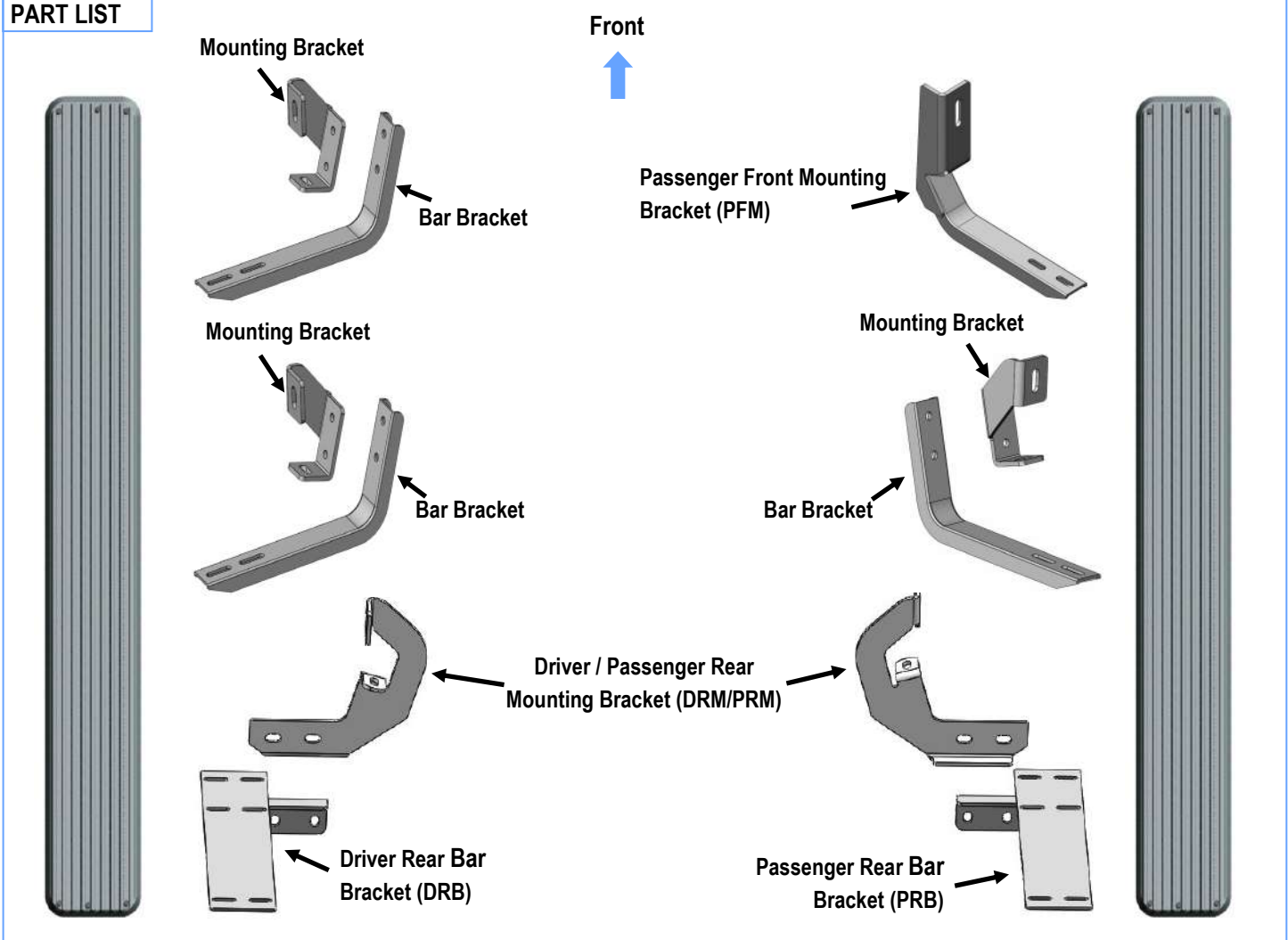
PART#: IB-071[S]-A\_B

**READ INSTRUCTIONS CAREFULLY BEFORE STARTING INSTALLATION. REMOVE CONTENTS FROM BOX AND VERIFY ALL PARTS ARE PRESENT. ASSISTANCE IS RECOMMENDED.**

**\*ROCKER PANEL MOUNT  
\*NO DRILLING REQUIRED/CUTTING MAYBE REQUIRED**

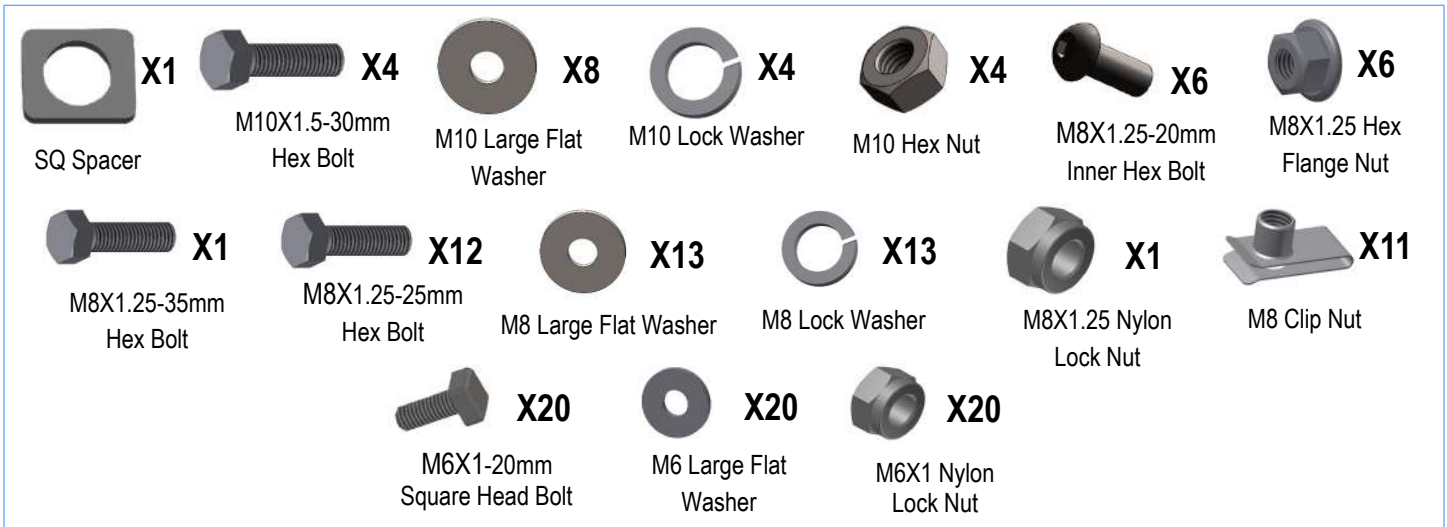
Fastener Size	Tightening Torque (ft-lbs)
6mm	6-7
8mm	16-18
10mm	31-32
12mm	56-58
14mm	92-94

### PART LIST



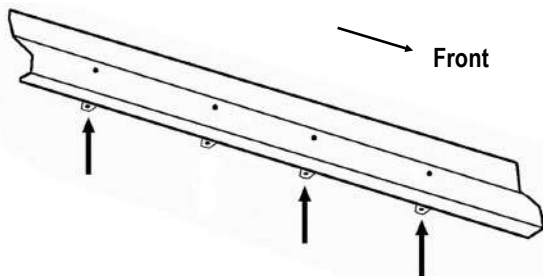
Customer Support: [info@iboardauto.com](mailto:info@iboardauto.com)

# iBoard®



## STEP 1

Start the installation under the driver side of the vehicle. Locate the 3 tabs along the bottom edge of the body, (pinch weld). Mounting Brackets will be bolted to the 1st, 2nd and 4th mounting tabs, (Fig 1). Directly above each tab is a top mounting location on the side of the body panel. Hold a Bracket up in place to help determine the mounting holes to be used on the body.



(Fig 1) Driver Side Mounting Locations

## STEP 2

Determine the correct procedure for your model year and each Bracket location.

**Lower mounting location (on the edge of the pinch weld):**

**\*Flat tab on pinch weld with factory installed weld nut:**

Thread M8 Hex Bolt into weld nut from the backside-down to clear paint from threads, (Fig 2).

**\*Flat tab on pinch weld with hole:**

Select (1) M8 Clip Nut. Slide the M8 Clip Nut over the tab with the nut facing up behind the tab, (Figs 3—5). Line up threaded nut with hole in tab. Repeat for each mounting location.

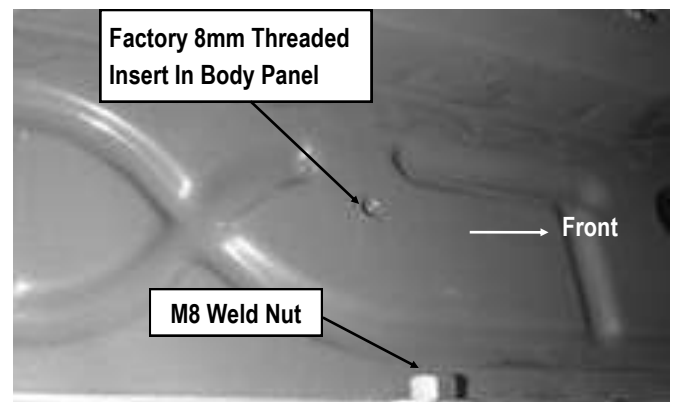
**Upper mounting location (on the back of the body panel):**

**\*Models with factory installed threaded insert in body panel:**

Thread M8 Hex Bolt into threaded insert to clear paint as required, (Fig 2 & 3).

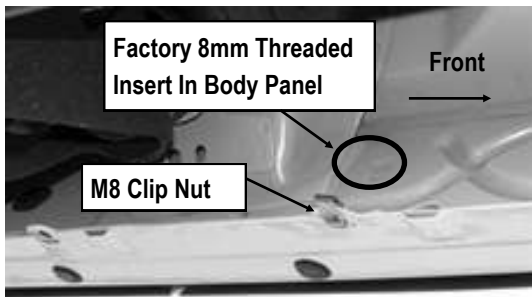
**\*Large and small hole on back side of body panel:**

Remove the rubber plug from the larger hole, (Fig 4). Select (1) M8 Clip Nut. Slide the M8 Clip Nut into the larger hole. Line up the threaded nut with the smaller hole, (Fig 5).



(Fig 2) Driver Front Mounting Bracket Location

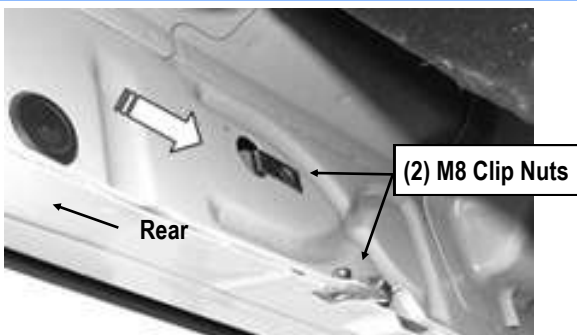
# iBoard®



(Fig 3) Driver Side Center Mounting Location



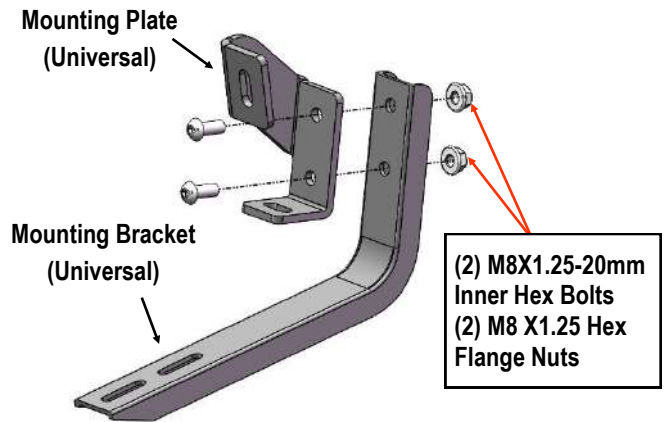
(Fig 4) Driver Side Center Mounting Location  
(With Rubber Plug on Mounting Hole)



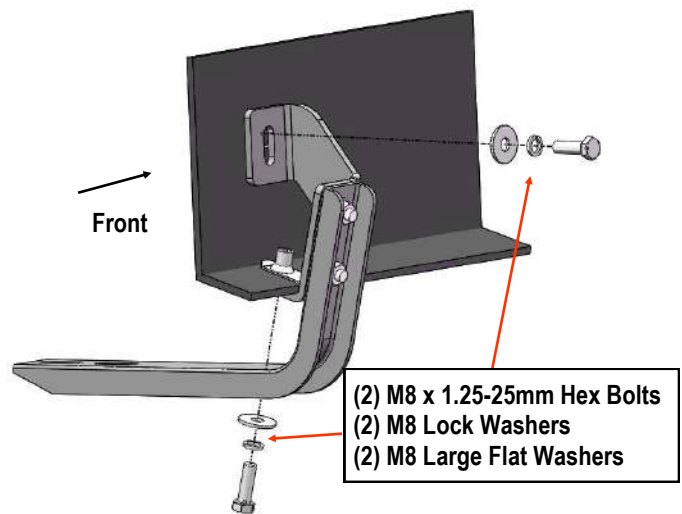
(Fig 5) Driver Side Rear Mounting Location

## STEP 3

Assemble Driver Front Mounting Bracket and Driver Front Mounting Plate as shown (Fig 6). And then Bolt the Assembled Mounting Bracket to the M8 Clip Nuts and/or the factory threaded holes on Driver Side Front Mounting Location with (2) M8 x1.25-25mm Hex Bolts, (2) M8 Lock Washers and (2) M8 Large Flat Washers, (Fig 7). Snug but do not fully tighten the hardware.



(Fig 6) Driver Front Mounting Bracket Assembled



(Fig 7) Assembled Driver Front Bracket Installed

## STEP 4

Repeat **Steps 1—3** to install the driver side center Bracket.

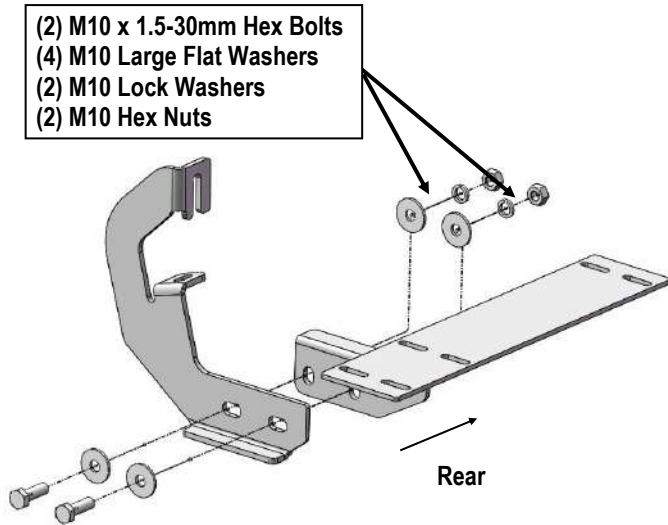
# iBoard®

## STEP 5

Move to the driver side rear mounting location. Assemble (1) Driver Rear Mounting Bracket (**DRM/PRM**) and (1) Driver Rear Bar Bracket (**DRB**) as shown (**Figs 8A**).

Install the assembled Driver Rear Mounting Bracket with (2) M8 x1.25-25mm Hex Bolts, (2) M8 Lock Washers and (2) M8 Large Flat Washers, (**Fig 8B**). Do not tighten hardware at this time.

**NOTE: Driver and Passenger Rear Mounting Bracket are universal.**



(Fig 8A) Driver Rear Mounting Bracket Assembly

- (2) M8 x 1.25-25mm Hex Bolts
- (2) M8 Lock Washers
- (2) M8 Large Flat Washers



(Fig 8b) Assembled Driver Rear Mounting Bracket Installed

## STEP 6

Select a Running Board. Slip (5) M6x1-20mm Square Head Bolts into each bottom channel (**Fig 9**). Carefully position the Running Board onto the (3) Mounting Brackets. **IMPORTANT:** Do not slide the Running Board on the Brackets or the bottom surface of the board will be damaged.

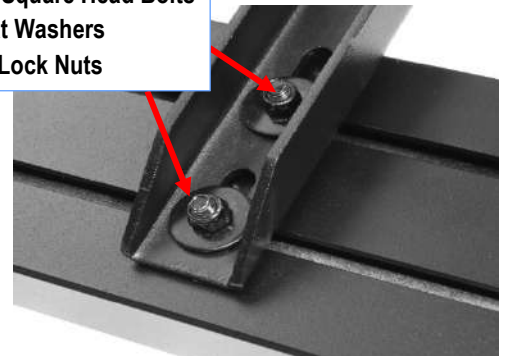
Attach the Running Board to each Front & Center Bar Bracket with (2) M6x1-20mm Square Head Bolts, (2) M6 Large Flat Washers and (2) M6 X1 Nylon Lock Nuts (**Fig 10**). Do not fully tighten the hardware at this time.

Attach the Running Board to the Rear Bar Bracket with (6) M6x1-20mm Square Head Bolts, (6) M6 Large Flat Washers and (6) M6 X1 Nylon Lock Nuts (**Fig 11**). Do not fully tighten the hardware at this time.



(Fig 9) Slip M6X1-20mm Square Head Bolts into the bottom channel

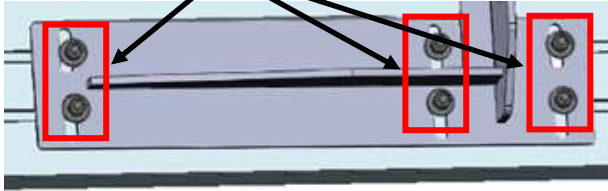
- (2) M6X1-20mm Square Head Bolts
- (2) M6 Large Flat Washers
- (2) M6X1 Nylon Lock Nuts



(Fig 10) Running Board Installed Onto Front & Center Bar Brackets

# iBoard®

- (6) M6X1-20 Square Head Bolts
- (6) M6 Large Flat Washers
- (6) M6X1 Nylon Lock Nuts



(Fig 11) Running Board Installed Onto Rear Bar Bracket

## STEP 7

Level and adjust the Running Board as necessary and fully tighten all hardware.

## STEP 8

Move to the passenger side of the vehicle. On the passenger side, determine if the vehicle is equipped with a plastic diesel exhaust fluid (DEF) tank, (Fig 12 & 13).

**Models without DEF tank, skip to Step 8.**

**Models with DEF tank:** The tank sits close to the side of the body. With specialized tools, the Passenger Front Mounting Bracket can be installed but room is limited. It may be easier to drop the tank down to access the inner side of the body panel for bracket installation. Tank will not need to be removed, only dropped down for access to mounting location.

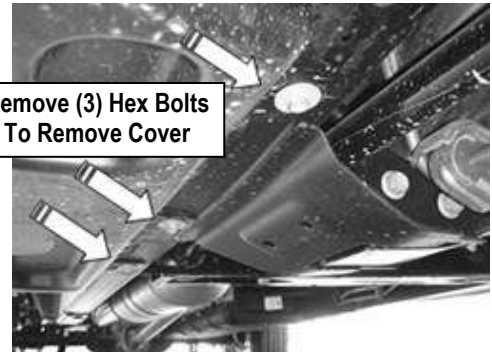
**IMPORTANT:** If tank is full, it will be very heavy and assistance is highly recommended to avoid injury or damage to the vehicle or the tank. It is recommended that installation is performed when the DEF tank is low on fluid before dropping the tank.

- For 07-16 Models:** with plastic lower tray under the tank, remove the (3) hex bolts attaching the tray to the frame, (Fig 12), and remove the tray. **For 2017-Up 2500/3500**

**models:** Remove the (4) hex bolts attaching the plastic cover to DEF tank, (Fig 13A) and remove the plastic cover, (Fig 13B).

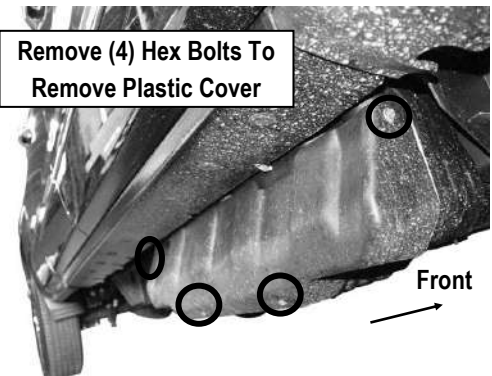
- Release the tank filler hose. Release the plug for the sending unit on the top of the tank.
- Support the tank with a floor jack. Place a smooth flat surface, (wooden block for example), between the floor jack and the tank to avoid damaging the plastic tank. Do not push up on the tank; only support the weight of the tank with the jack.
- Remove the (2) bolts securing the tank straps to the vehicle, (Fig 14). Tilt the straps to release from the brackets. Slowly lower the tank until the top of the tank is almost visible. Use blocks or stands to support the tank while installing the front Brackets.
- Proceed to **Step 8.**

Remove (3) Hex Bolts  
To Remove Cover



(Fig 12) 07-16 Passenger Side Front Pictured With DEF Tank Cover

Remove (4) Hex Bolts To  
Remove Plastic Cover



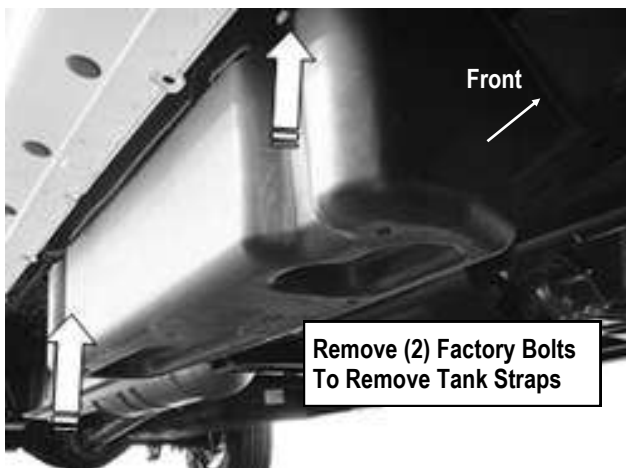
(Fig 13A) 2017-Up Passenger Side Pictured With DEF Plastic Tank Cover

# iBoard®



Front ←

(Fig 13B) 2017 Passenger Side DEF Cover Removed



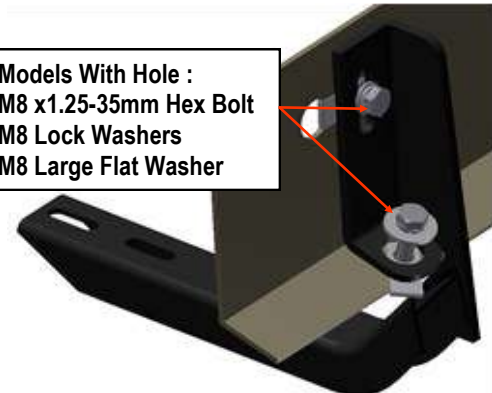
(Fig 14) 07-16 Passenger Side DEF Tank And Cover

## STEP 9

Locate the first tab on the edge of the pinch weld, attach the Passenger Front Mounting Bracket (PFM) to the pinch weld and top body panel (Fig 15 & 16):

- Models with flat tab and hole:** see Fig 15. Leave loose at this time.
- Models with weld-nut:** see Fig 16. Leave loose at this time.

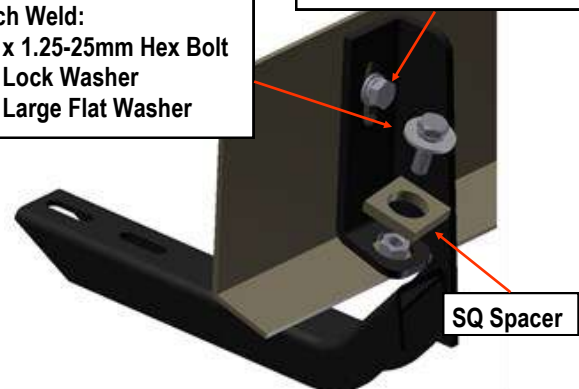
Models With Hole :  
M8 x1.25-35mm Hex Bolt  
M8 Lock Washers  
M8 Large Flat Washer



(Fig 15) Passenger Front Mounting Bracket Installed

Models With 8mm Threaded Insert In Body Panel:  
M8 x 1.25-25mm Hex Bolt  
M8 Lock Washer  
M8 Large Flat Washer

Models With Weld Nut On Pitch Weld:  
M8 x 1.25-25mm Hex Bolt  
M8 Lock Washer  
M8 Large Flat Washer



(Fig 16) Passenger Front Mounting Bracket Installed (Weld Nut If Equipped-Also See Fig 2)

## STEP 10

Repeat **Steps 2—4** for the (2) remaining passenger side mounting brackets installations.

**2017-up 2500/3500 DEF tank models:** Locate the 2nd tab bracket location along the bottom edge of the body, (pinch weld), (Fig 17). Hold the DEF cover in place and mark the 2nd Bracket location onto the cover, (Fig 18). Use a sharp knife or hacksaw blade to carefully cut a slot in the plastic cover to clear the 2nd Bracket, (Fig 19). Remove as little plastic as possible.

# iBoard®

## STEP 12

Once the Running Board are installed and all hardware fully tightened, reinstall the DEF tank and cover, if equipped, as described in **Step 8**.

The installation is completed (**Fig 20**).

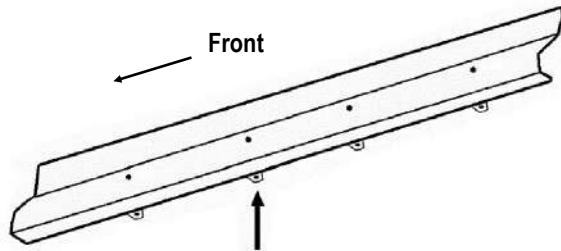


(Fig 20) Installation Completed

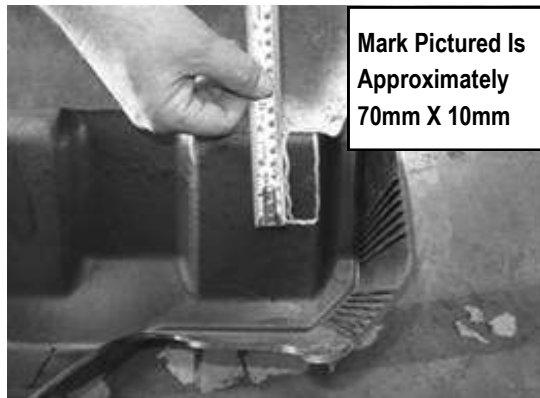
### Attention

Do periodic inspections to the installation to make sure that all hardware is secure and tight.

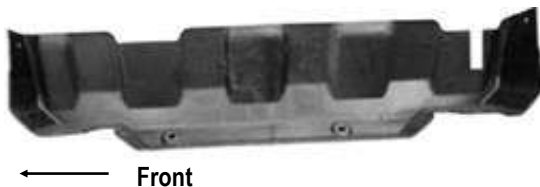
In order to protect your bars/boards, please use only mild soap/non-abrasive products for cleaning.



(Fig 17) Passenger 2nd Mounting Bracket Location From Back Of Body Panel



(Fig 18) 2017-Up Passenger Side DEF Cover Marked For Trimming



(Fig 19) 17-Up Passenger Side DEF Cut For Example Only

## STEP 11

Repeat **Steps 5 & 6** to install the passenger side Running Board installation.