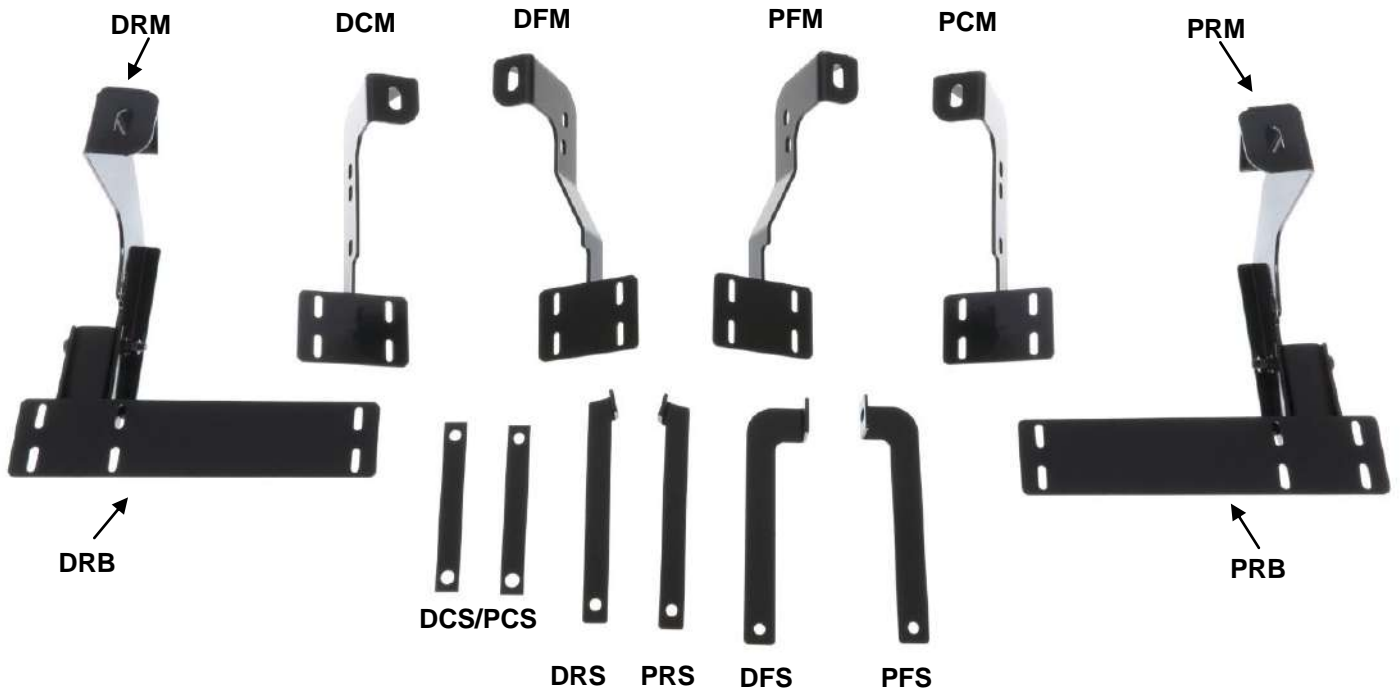
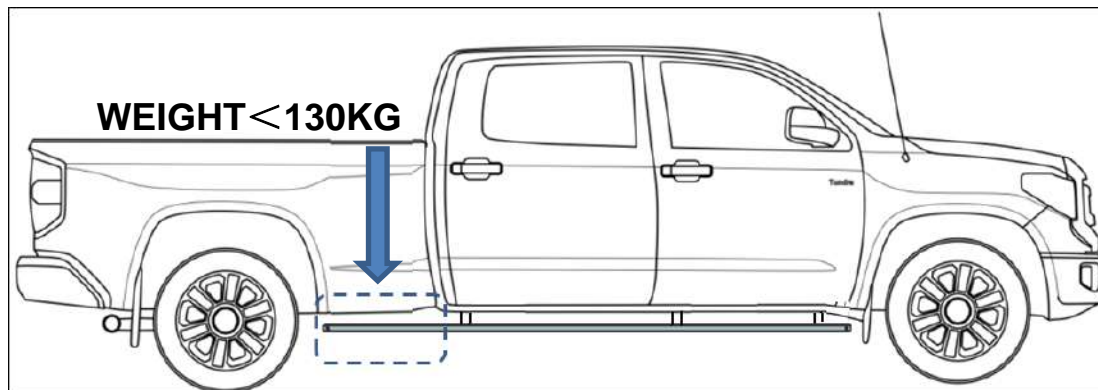


**PARTS LIST:**

Item	QTY	Description	Item	QTY	Description
#1	2	Running Board(use for left or right)	#16	2	M10-30 Button Head Bolt Plates
#2	1	Driver/Left Front Mounting Bracket (DFM)	#17	2	10mm Nut Plates
#3	1	Driver/Left Front Support Bracket(DFS)	#18	2	M12X1.75 - 30mm Hex Bolts
#4	1	Passenger/Right Front Mounting Bracket(PFM)	#19	4	12mm x 32mm x 3mm Flat Washers
#5	1	Passenger/Right Front Support Bracket(PFS)	#20	2	M12 Lock Washers
#6	1	Driver/Left Side Center Mounting Bracket(DCM)	#21	2	M12 Hex Nuts
#7	1	Passenger/Right Center Mounting Bracket(PCM)	#22	8	M10X1.5 - 30mm Hex Bolts
#8	2	Center Support Brackets (DCS/PCS)	#23	16	M10 Flat Washers
#9	1	Driver/Left Rear Support Bracket(DRS)	#24	14	M10 Lock Washers
#10	1	Passenger/Right Rear Support Bracket(PRS)	#25	12	M10 Hex Nuts
#11	1	Driver Rear Upper Mounting Bracket(DRM)	#26	8	M10 Large Flat Washers
#12	1	Passenger Rear Upper Mounting Bracket(PRM)	#27	4	M10X1.5 - 80mm Hex Bolts
#13	1	Driver Rear Lower Mounting Bracket(DRB)	#28	28	M6X1 - 20mm T-Bolts
#14	1	Passenger Rear Lower Mounting Bracket(PRB)	#29	28	M6 Flat Washers
#15	2	10mm Plastic Retainers	#30	28	M6 Nylon Lock Nuts



**IMPORTANT ALERT: FOR WHEEL TO WHEEL APPLICATION, WEIGHT TO THE REAR END AREA OF THE RUNNING BOARD BEHIND THE LAST BRACKET NEED TO LESS THEN 130KG.OVERWEIGHT IN THIS AREA MAYBE DAMAGE YOUR RUNNING BOARD.**

**PROCEDURE:**

1. REMOVE CONTENTS FROM BOX. VERIFY ALL PARTS ARE PRESENT. READ INSTRUCTIONS CAREFULLY BEFORE STARTING INSTALLATION. DRILLING MAY BE REQUIRED.
2. Start the installation under the passenger side of the vehicle. Remove the front body mount bolt, **(Figure 1)**. Do not remove rubber bushings.
3. Attach the passenger side front mounting Bracket to the body mount reusing the factory hex bolt, **(Figures 2 & 3)**. Do not tighten hardware at this time.
4. Locate the two factory holes in the bottom of the frame towards the front of the vehicle, **(Figure 4)**. Insert (1) 10mm Nut Plate, **(Figure 5)**, into the oval hole and line up the threaded nut with the forward round hole, **(Figure 4)**. **NOTE:** Nut Plate and Support Brackets are not required on **2011-14 25-3500** models.
5. Attach the flat end of the passenger side front Support Bracket to the Nut Plate with (1) 10mm x 30mm Hex Bolt, (1) 10mm Lock Washer and (1) 10mm Flat Washer, **(Figures 6 & 7)**. Do not tighten hardware at this time.

**Up to 2010 25-3500 Models-Support Bracket not required on 2011-14 25-3500 Models:**

Note that the Front Support Bracket will not reach up to the Mounting Bracket, **(Figure 7)**. Tighten the Support Bracket to the Nut Plate in the frame. Carefully push up on the Support Bracket until it reaches the inside hole in the Mounting Bracket. Bolt the Support Bracket to the hole in the Mounting Bracket with (1) 10mm x 30mm Hex Bolt, (2) 10mm Flat Washers, (1) 10mm Lock Washer and (1) 10mm Hex Nut, **(Figures 7 & 8)**. Do not tighten at this time.

6. Move to the center body mount and remove the factory bolt. Select the passenger side center Bracket, **(Figure 2)**. Repeat **Steps 1 & 2** to attach the center Bracket, **(Figures 9 & 10)**.
7. Next, select (1) Center Support Bracket. **IMPORTANT:** Center Support Brackets are not required on **2011—14 25-3500** Models. Note the two different sizes of mounting holes in the Support Bracket. Slide the end of the Center Support Bracket with the larger mounting hole between the factory body mount and the center Bracket, **(Figures 9 & 10)**. Attach the Support Bracket to the holes in the side of the body mount with (1) 12mm x 30mm Hex Bolt, (2) 12mm Flat Washers, (1) 12mm Lock Washer and (1) 12mm Hex Nut. Do not tighten at this time.
8. Attach the opposite end of the Support Bracket to the front of the Center Bracket with (1) 10mm x 30mm Hex Bolt, (2) 10mm Flat Washers, (1) 10mm Lock Washer and (1) 10mm Hex Nut, **(Figures 9 & 10)**. Do not tighten at this time.
9. Move to the **Driver Rear** body mount location. **(Figure 11)**. Locate the factory hole in the side of the body panel towards the rear of the vehicle. Remove the rubber plug, **(Figure 12)**. Thread (1) 10mm Plastic Retainer part way onto (1) 10mm Bolt Plate, **(Figures 13A & 13B)**. Insert the Bolt Plate into the hole and thread the Plastic Retainer down until it is tight against

the body panel, **(Figure 13A)**. **IMPORTANT:** The Plastic Retainer is designed to prevent the Bolt Plate from falling into the body cavity and to aid in installing the Support Bracket.

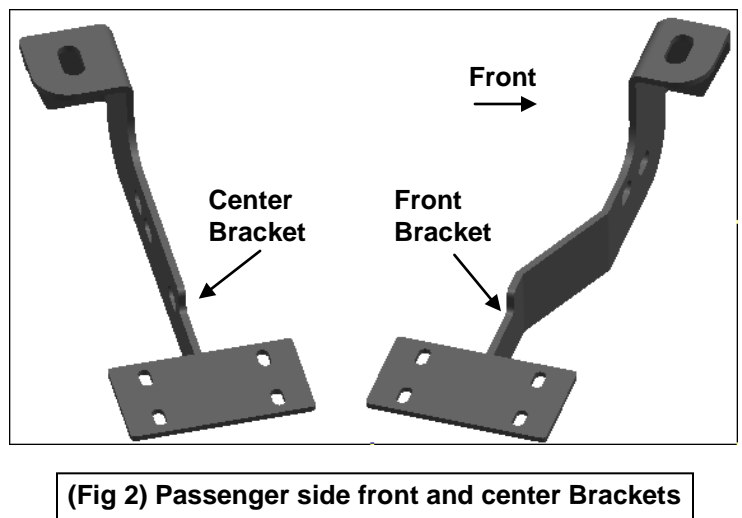
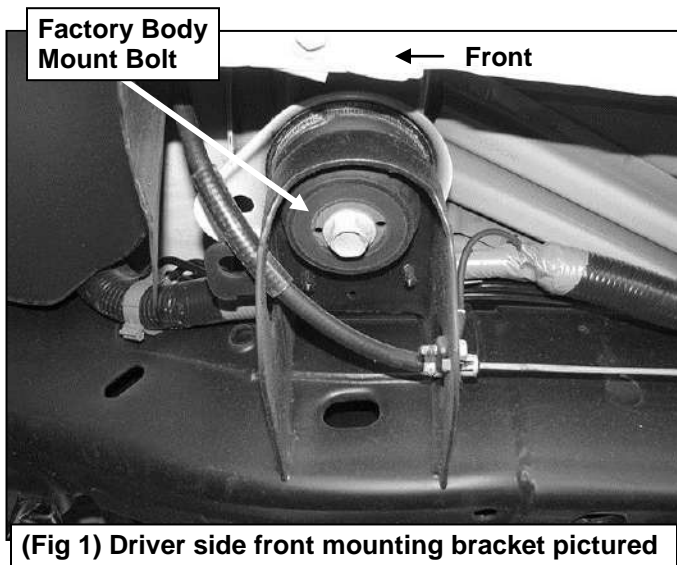
10. Attach the driver side rear Support Bracket to the Bolt Plate with (1) 10mm Lock Washer, (1) 10mm Flat Washer and (1) 10mm Hex Nut, **(Figures 14)**. Bolt the lower end of the Support Bracket to the front of the Rear Bracket with (1) 10mm x 30mm Hex Bolt, (2) 10mm Flat Washers, (1) 10mm Lock Washer and (1) 10mm Hex Nut, **(Figure 15)**. Do not tighten hardware at this time.
11. Select the driver rear lower bracket, bolt to the upper bracket with (2)10mmx80mm Hex bolts, (2)10mm lock washers,(4)10mm flat washers and (2)10mm Hex Nuts (BLACK) . **(Figure 16)** .Do not tighten hardware at this time.
12. Select the Running Board. Slip (14) 6mm T-Bolts into each bottom channel **(Figure 17)**. Carefully position the Running Board onto the (3) Mounting Brackets. **IMPORTANT:** Do not slide the Running Board on the Brackets or damage to the finish may result. Attach the Running Board to the Front& Center with (4) 6mm T-bolts,(4)6mm flat washers and (4)6mm lock nuts, to Rear Support bracket with (6) 6mm T-bolts,(6)6mm flat washers and (6)6mm lock nuts **(Figure 18&19)**. Do not tighten hardware at this time
13. Level and adjust the Running Board properly and tighten all hardware.
14. Repeat **Steps 2—13** for passenger side installation.
15. Do periodic inspections to the installation to make sure that all hardware is secure and tight.

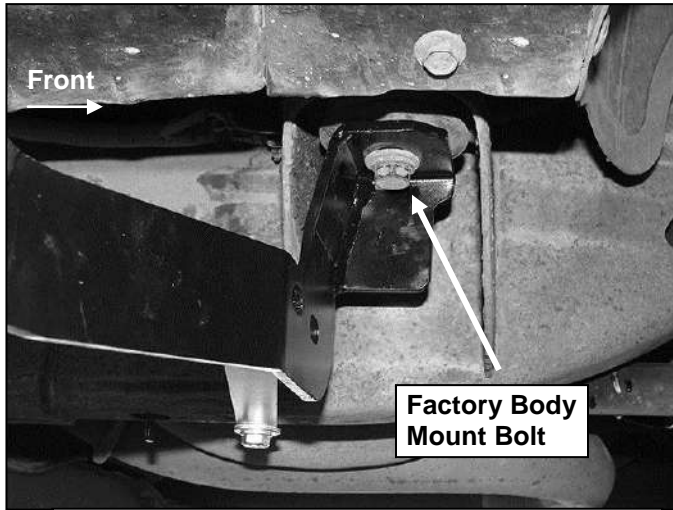
**To protect your investment**, wax this product after installing. Regular waxing is recommended to add a protective layer over the finish. Do not use any type of polish or wax that may contain abrasives that could damage the finish.

**For Polished Finishes:** Aluminum polish may be used to polish small scratches and scuffs on the finish. Mild soap may be used also to clean the Running Board.

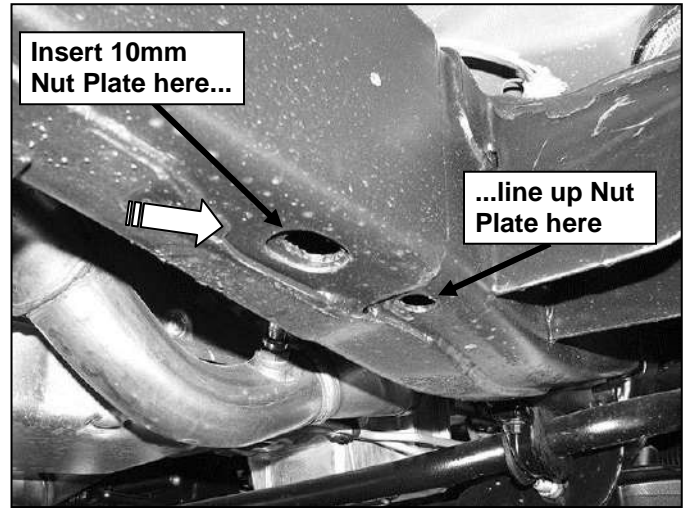
**For black finishes:** Mild soap may be used to clean the Running Board.

### Passenger Side Installation Pictured





(Fig 3) Passenger/right front Bracket installed

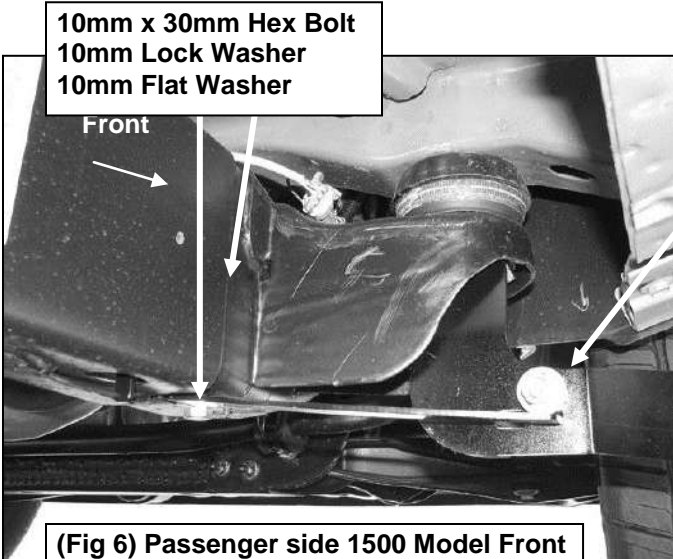


(Fig 4) Bottom of frame on passenger side

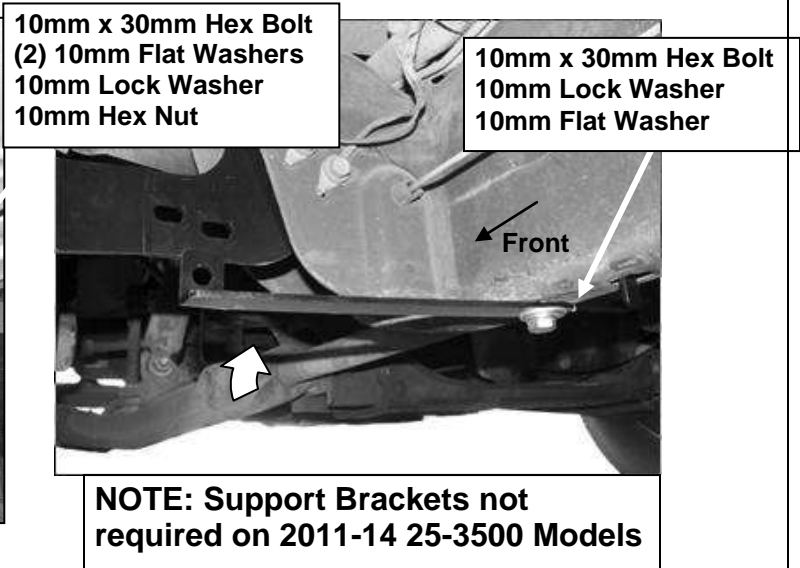
**NOTE: Support Brackets not required on 2011-14 25-3500 Models**



(Fig 5) 10mm Nut Plate



(Fig 6) Passenger side 1500 Model Front Support Bracket Installation Pictured

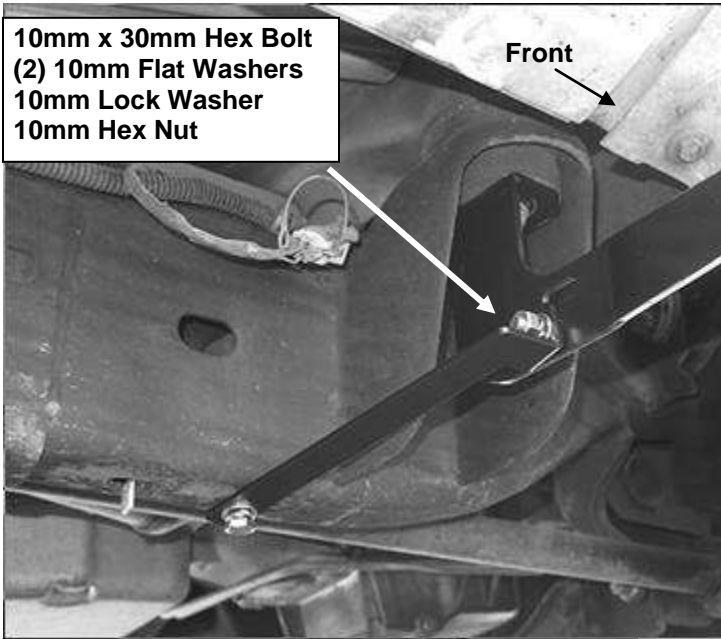


(Fig 7) Driver side, 25-3500 Model Front Support Bracket Installation

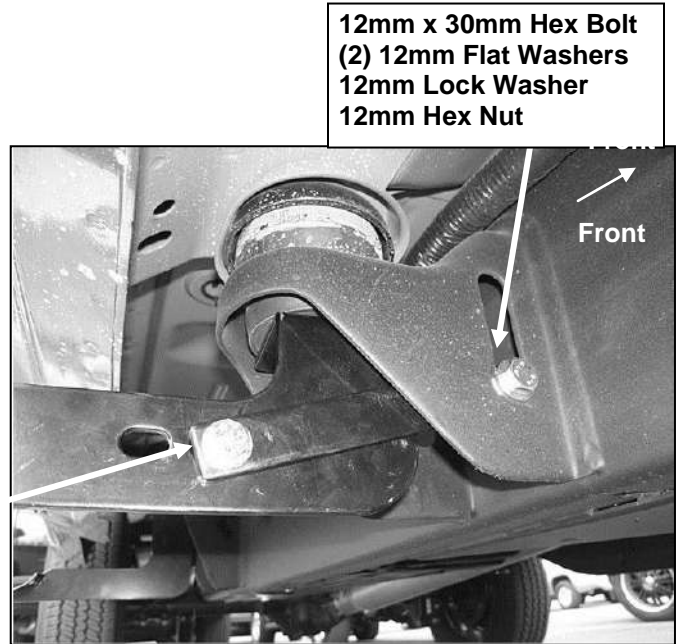
**IMPORTANT NOTE:**  
Bend Support Bracket up by hand to meet the inner hole in the Front Mounting Bracket

**NOTE:** Support Bracket not required on 2011-14 25-3500 Models

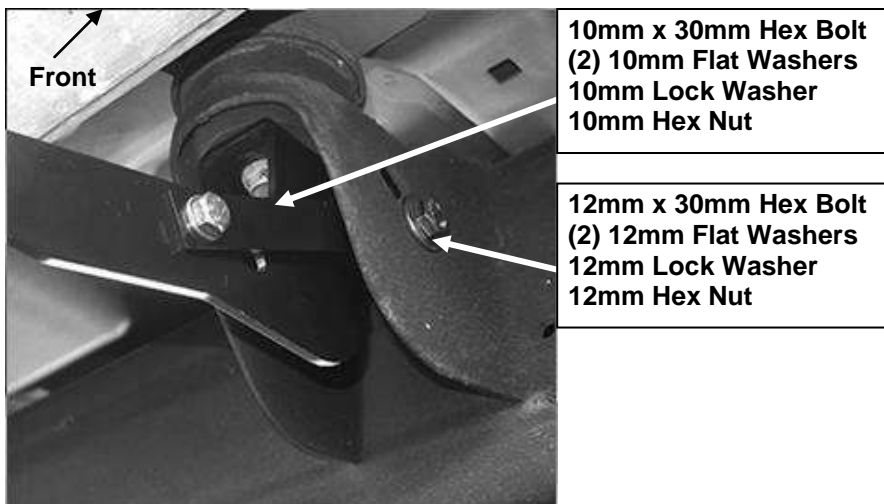
### Passenger Side Installation Pictured



(Fig 8) Passenger side Front Bracket Installation



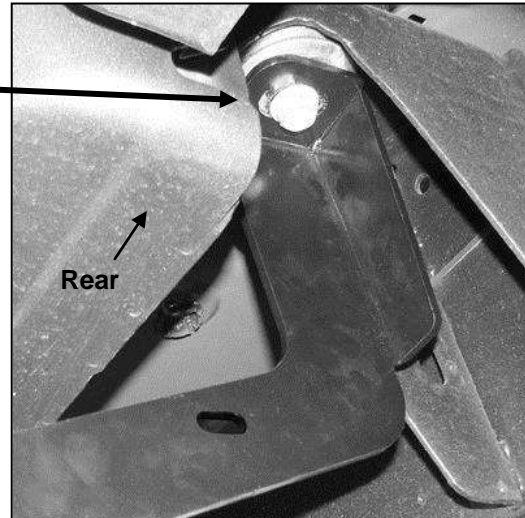
(Fig 9) Driver side, 1500 Model Center Bracket and Support Bracket Installation



(Fig 10) Passenger side 25-3500 Model Center Support Bracket Installation

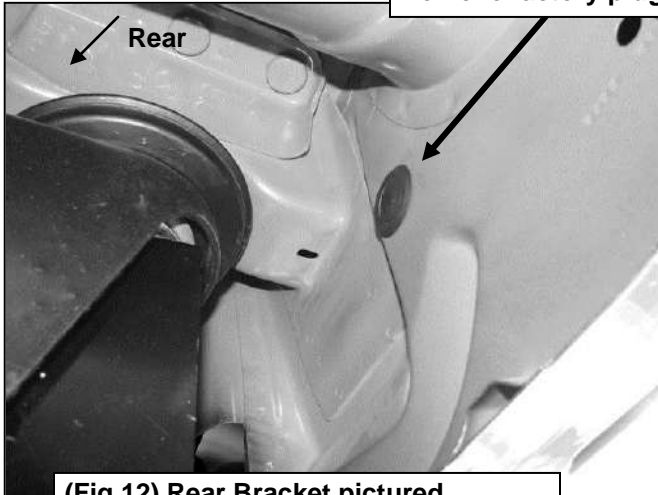
### Driver Rear Side Installation Pictured

Factory Body  
Mount Bolt



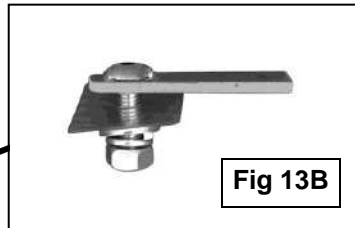
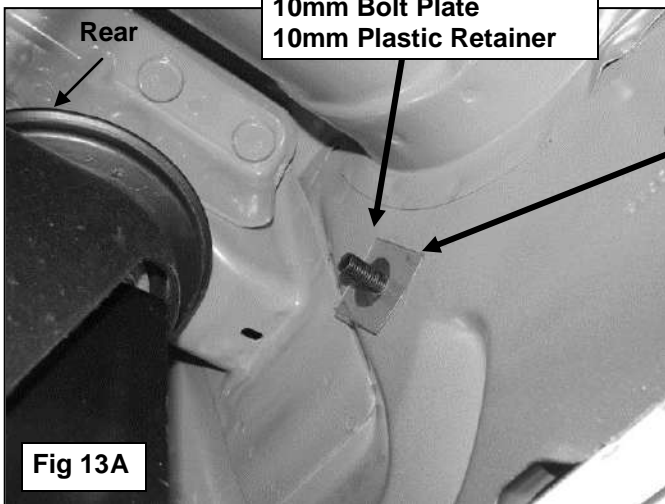
(Fig 11) Rear Bracket Installation pictured

Remove factory plug

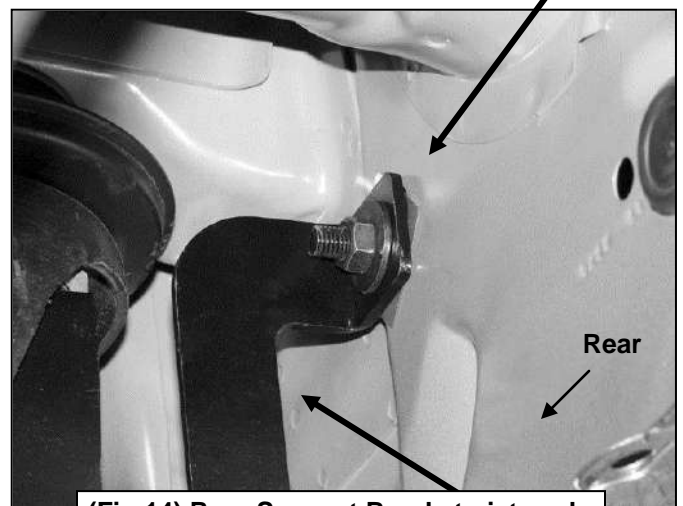


(Fig 12) Rear Bracket pictured

10mm Bolt Plate  
10mm Plastic Retainer

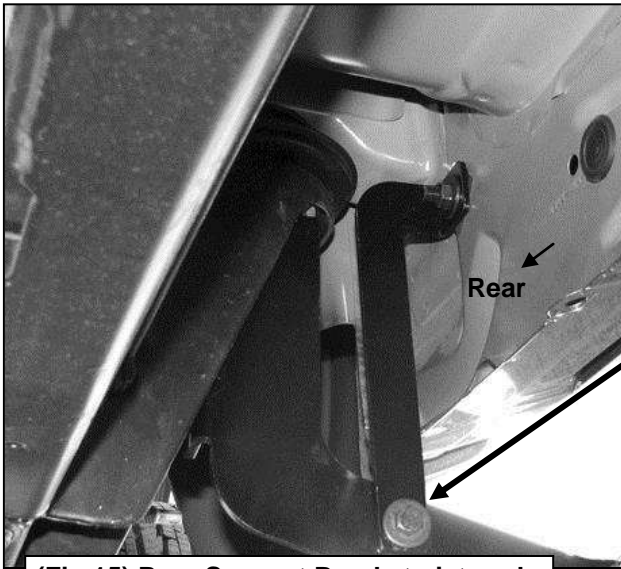


10mm Bolt Plate  
10mm Plastic Retainer  
10mm Lock Washer  
10mm Flat Washer  
10mm Hex Nut



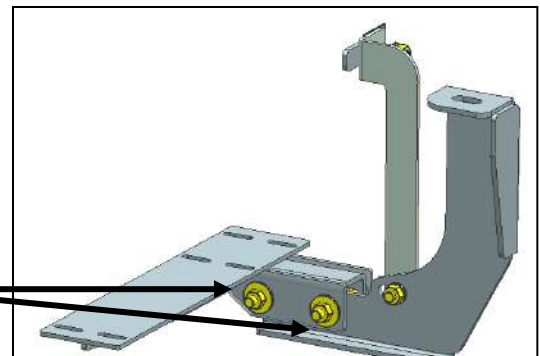
(Fig 14) Rear Support Bracket pictured

### Driver Rear Side Installation Pictured



(Fig 15) Rear Support Bracket pictured

- 10mm x 30mm Hex Bolt
- (2) 10mm Flat Washers
- 10mm Lock Washer
- 10mm Hex Nut



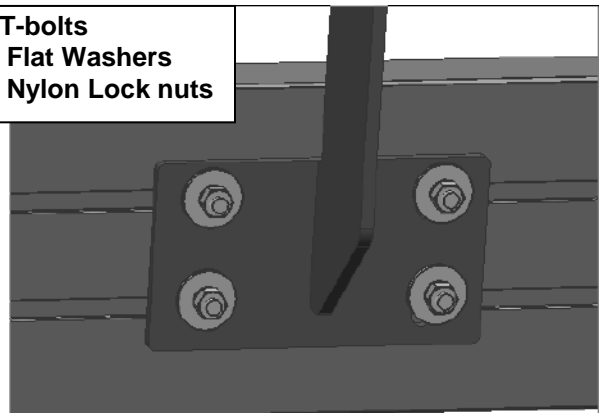
- (2)10mmx80mm Hex bolts
- (4)10mm Flat Washers
- (2)10mm Lock Washers
- (2)10mm Hex Nuts

(Fig16) Driver/Left rear- Support Lower Mounting Bracket assembly



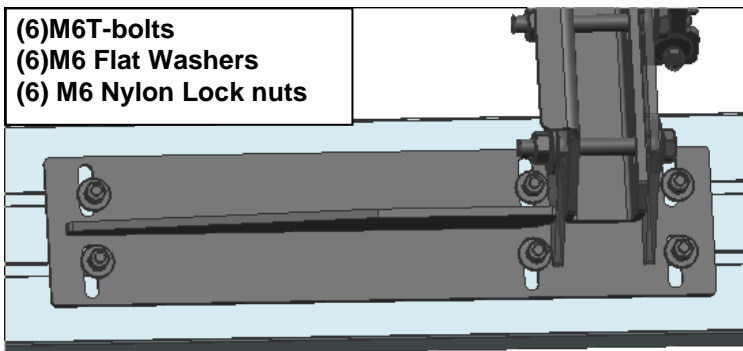
(Fig 17) Slip 6mm T-bolts into the bottom channel

- (4)M6T-bolts
- (4)M6 Flat Washers
- (4)M6 Nylon Lock nuts



(Fig 18) Front & Center Bracket installation

- (6)M6T-bolts
- (6)M6 Flat Washers
- (6) M6 Nylon Lock nuts



(Fig 19) Rear Support bracket installation