

iBoard®

iBoard® by APS

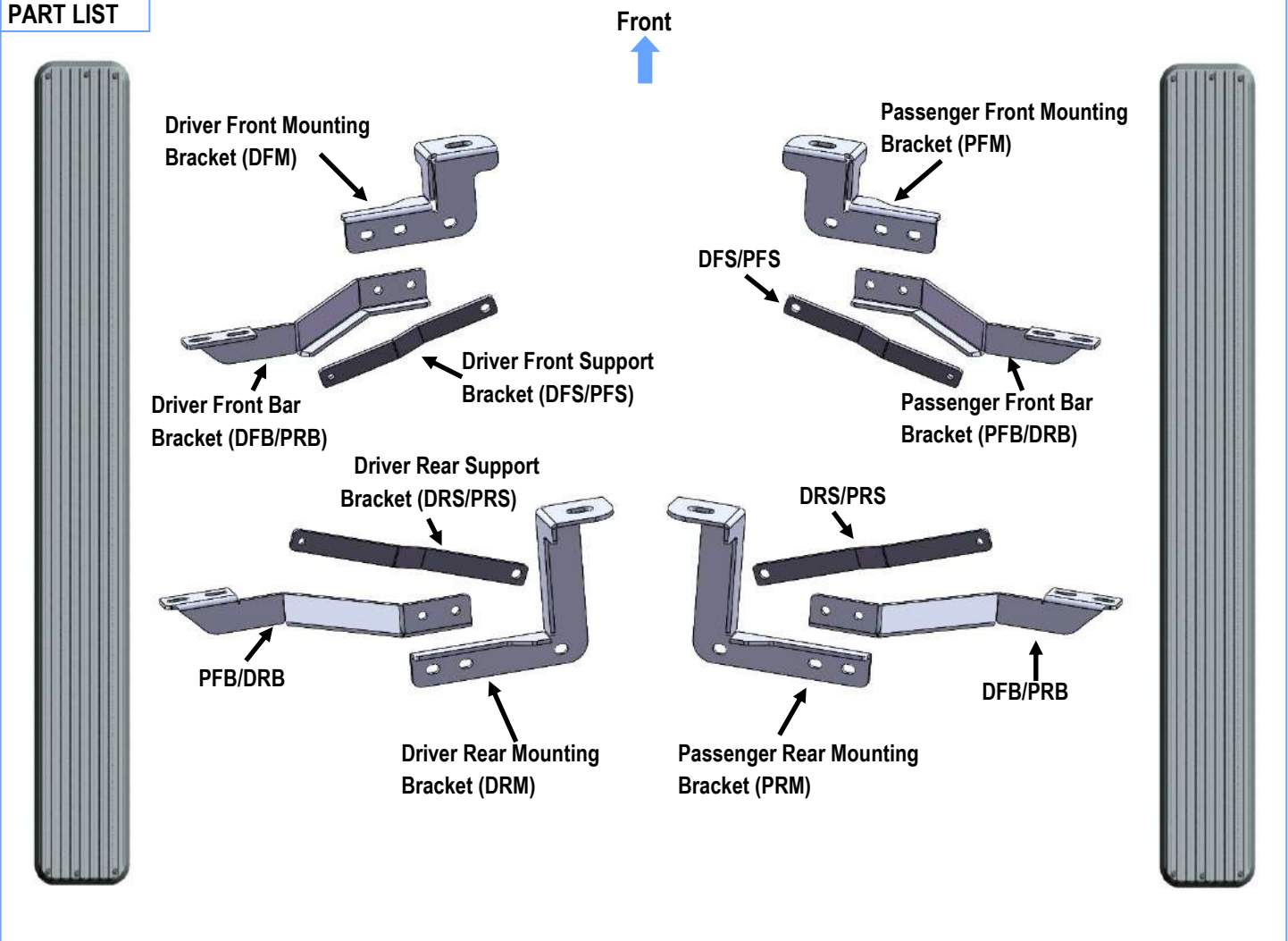
PART#: IB-046

READ INSTRUCTIONS CAREFULLY BEFORE STARTING INSTALLATION. REMOVE CONTENTS FROM BOX AND VERIFY ALL PARTS ARE PRESENT. ASSISTANCE IS RECOMMENDED.

*ROCKER PANEL MOUNT
*DRILLING IS REQUIRED

Fastener Size	Tightening Torque (ft-lbs)	Required
6mm	6-7	√
8mm	16-18	X
10mm	31-32	√
12mm	56-58	√
14mm	92-94	X

PART LIST



Customer Support: info@iboardauto.com

iBoard®

Hardware Package A (For Bracket Installation)



X4

M12X1.75-120mm Hex Bolt



X4

M12 Flat Washer



X4

M12 Lock Washer



X12

M10X1.5-35mm Hex Bolt



X24

M10 Flat Washer



X12

M10 Lock Washer



X12

M10 Hex Nut



X4

ST6.3x32 Sheet Metal Screw



X4

M6 Flat Washer

Hardware Package B (For Aluminum Step Bar Installation Only, Not Supply to Stainless Steel Step Bar)



X8

M6X1-20mm Square Head Bolt



X8

M6 Large Flat Washer



X8

M6 Nylon Lock Nut

Hardware Package C (For Stainless Steel Step Bar Installation Only, Not Supply to Aluminum Step Bar)



X8

M6X1-20mm Hex Bolt



X8

M6 Lock Washer



X8

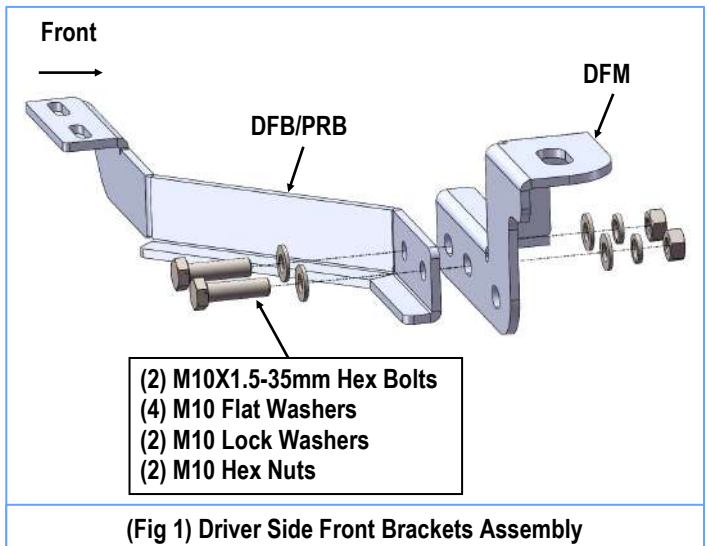
M6 Flat Washer

STEP 1

Start installation from the driver side front of the vehicle. Remove the body mount bolt from the front mounting location.

STEP 2

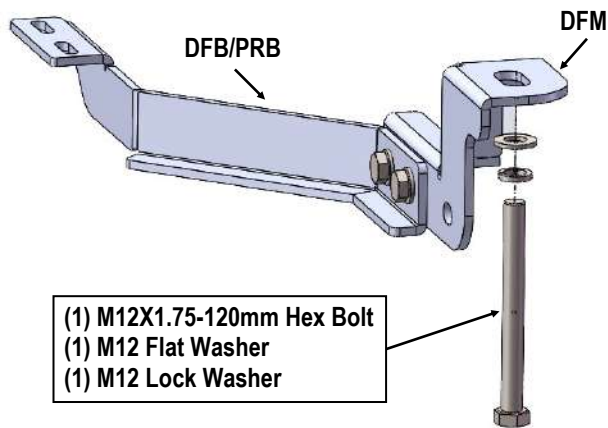
Select and assemble the Driver Front Mounting Bracket (**DFM**) and Driver Front Bar Bracket (**DFB/PRB**) with (2) M10X1.5-35mm Hex Bolts, (2) M10 Lock Washers, (4) M10 Flat Washers and (2) M10 Hex Nuts, (**Fig 1**). Do not fully tighten hardware at this time.



iBoard®

STEP 3

Bolt the assembled Driver Front Mounting Bracket (DFM) to the body mount of vehicle with (1) M12X1.75-120mm Hex Bolt, (1) M12 Lock Washer, and (1) M12 Flat Washer (Fig 2). Do not fully tighten hardware at this time.



(Fig 2) Driver Front Mounting Bracket (DFM) Installation

STEP 4

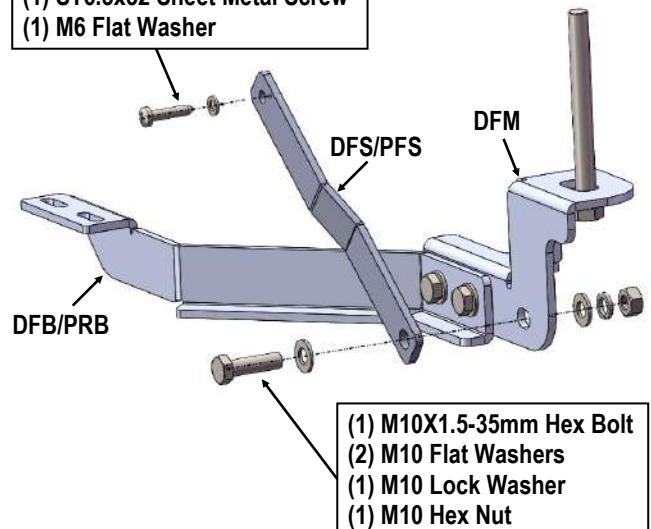
Select the Driver Front Support Bracket (DFS/PFS). Attach the Support Bracket to the Driver Front Mounting Bracket with (1) M10X1.5-35mm Hex Bolt, (1) M10 Lock Washer, (2) M10 Flat Washers and (1) M10 Hex Nut, (Fig 3). Do not fully tighten hardware at this time. **NOTE: The larger hole on the Support Bracket should connect to the Mounting Bracket.**

STEP 5

Attach the smaller hole on the other end of the Support Bracket to the body channel, and mark the hole position onto the body channel. Remove Support Bracket from body channel, and drill a 6mm hole on the mark, (Fig 4).

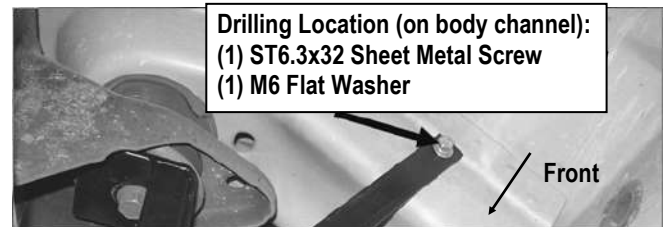
IMPORTANT! Any cutting or drilling tool may break or shatter. Government regulations require safety glasses & equipment at all times when cutting or drilling.

(1) ST6.3x32 Sheet Metal Screw
(1) M6 Flat Washer



(Fig 3) Driver Front Support Bracket (DFS/PFS) Installation

Drilling Location (on body channel):
(1) ST6.3x32 Sheet Metal Screw
(1) M6 Flat Washer



(Fig 4) Driver Front Support Bracket (DFS/PFS) Installation

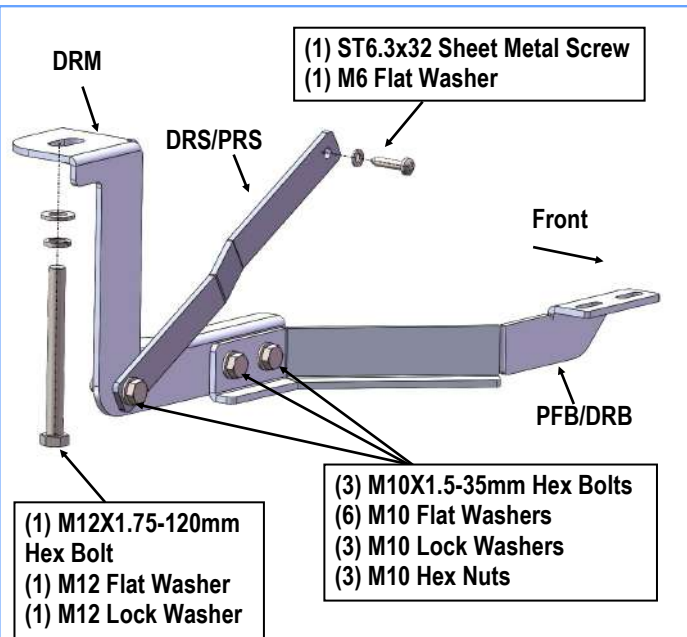
STEP 6

Once the hole was drilled on the body channel, attach the Support Bracket to the drilled hole using the included (1) ST6.3x32 Sheet Metal Screw and (1) M6 Flat Washer (Fig 3 & 4).

STEP 7

Move to driver side rear of the vehicle. Repeat Steps 1-5 for driver side rear Bracket installation, (Fig 5).

iBoard®



(Fig 5) Driver Side Rear Brackets Installation

STEP 8

Once all (2) mounting brackets are installed, then proceed to the Step Bar installation. According to the style of Step Bar proceed to the correct installation STEPS.

Note: Aluminum Step Bar refer to STEP 9; Stainless Steel Step Bar skip to STEP 10.

STEP 9

Aluminum Step Bar Installation:

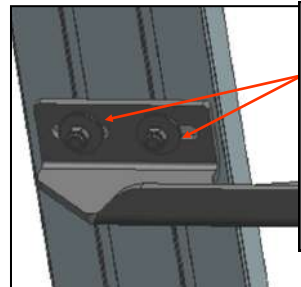
Select a **Aluminum Step Bar**. Slip (2) M6x1-20mm Square Head Bolts into each bottom channel (Fig 6). Carefully position the Step Bar onto the (2) Mounting Brackets.

IMPORTANT: Do not slide the Step Bar on the Brackets or the bottom surface of the board will be damaged. Attach the Step Bar to each Mounting Brackets with (2) M6x1-20mm Square Head Bolts, (2) M6 Large Flat Washers and (2) M6 Nylon Lock Nuts, (Fig 7). Do not fully tighten at this time.

Level and adjust the Step Bar and fully tighten all hardware. Repeat **Steps 1-9** for the other side Step Bar installation. **The installation is completed!!!**



(Fig 6) Slip M6X1-20mm Square Head Bolts Into The Bottom Channels



(2) M6X1-20mm Square Head Bolts
(2) M6 Large Flat Washers
(2) M6 Nylon Lock Nuts
IMPORTANT: TORQUE FOR 6MM FASTENERS MUST LESS THAN 6 -7 FT-LBS OR THE FASTENERS WILL BE DAMAGED!

(Fig 7) Running Board Installed Onto Mounting Bracket

STEP 10

Stainless Steel Step Bar Installation:

Select a **Stainless Steel Step Bar** (with the U-Sliders installed on the Bar). Loose the U-Sliders, reposition the U-Sliders onto the board according to the (2) Installed Mounting Brackets location, (Fig 8). Re-secure the U-Sliders on the Step Bar. Attach the Step Bar to the installed Mounting Brackets with (4) M6X1-20mm Hex Bolts, (4) M6 Large Flat Washers & (4) M6 Lock Washers, (Fig 9). Do not fully tighten hardware at this time.

Level and adjust the Step Bar and fully tighten all hardware. Repeat **Steps 1-8 and 10** for the other side Step Bar installation. **The installation is completed!!!**

iBoard®



(Fig 8) Slide & line up the U-Slider with the installed mounting brackets along bottom channel

(2) M6X1-20mm Hex Bolts
(2) M6 Large Flat Washers
(2) M6 Lock Washers
IMPORTANT: TORQUE FOR 6MM FASTNERS MUST LESS THAN 6-7 FT-LBS OR THE FASTNERS WILL BE DAMAGED!



(Fig 9) Step Bar Installed on Bracket Installed (Example)

Attention

Do periodic inspections to the installation to make sure that all hardware is secure and tight.

In order to protect your bars/boards, please use only mild soap/non-abrasive products for cleaning.