

# iBoard®

## iBoard® by APS

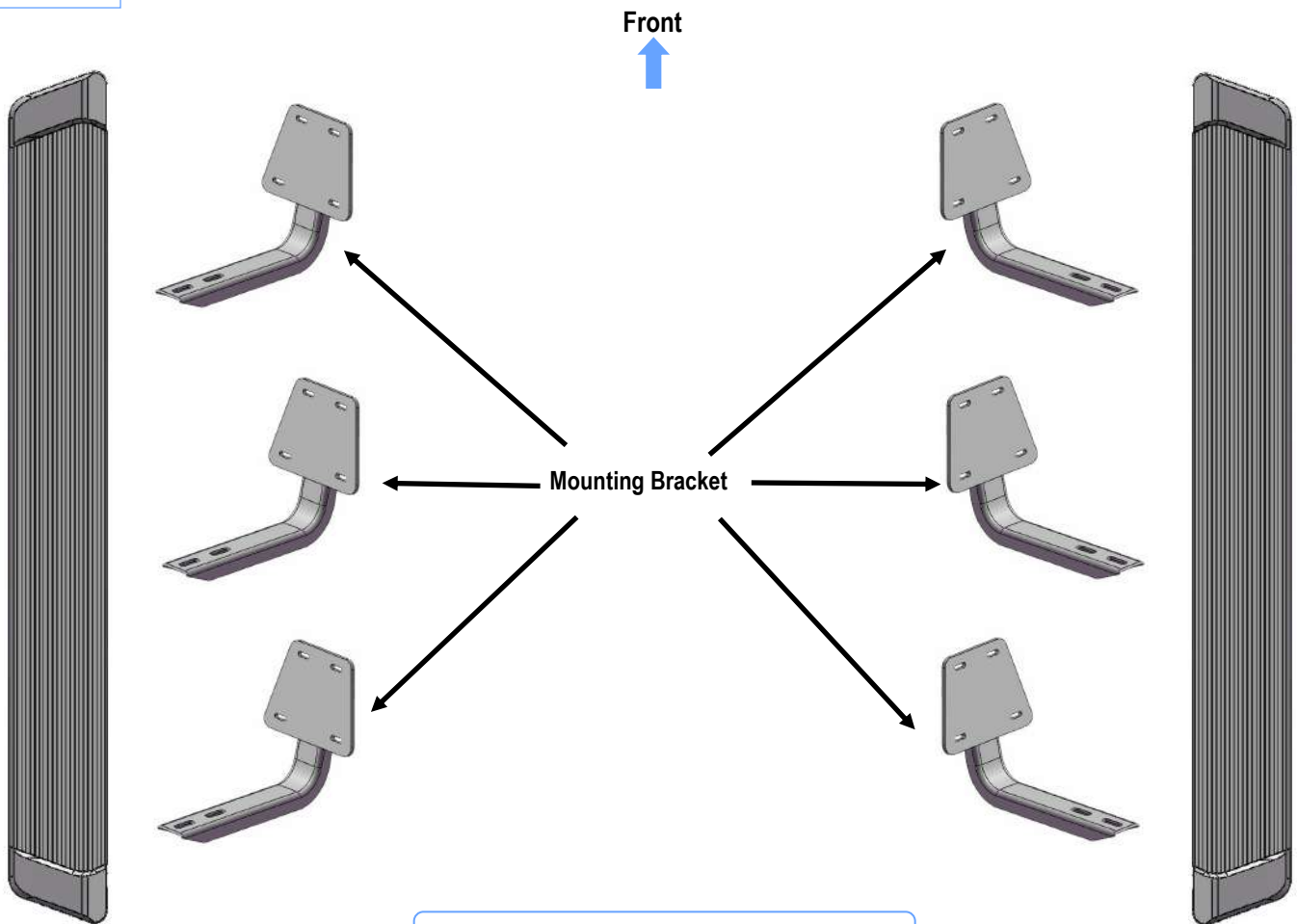
PART#: IB-R159&R258A-B

READ INSTRUCTIONS CAREFULLY BEFORE STARTING INSTALLATION. REMOVE CONTENTS FROM BOX AND VERIFY ALL PARTS ARE PRESENT. ASSISTANCE IS RECOMMENDED.

\*ROCKER PANEL MOUNT  
\*NO DRILLING REQUIRED

Fastener Size	Tightening Torque (ft-lbs)
6mm	6-7
8mm	16-18
10mm	31-32
12mm	56-58
14mm	92-94

### PART LIST



**Note:** All (6) Mounting Brackets Are Universal.

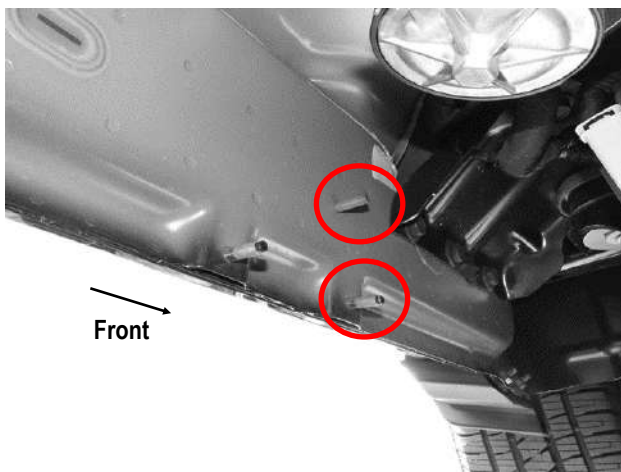
Customer Support: [info@iboardauto.com](mailto:info@iboardauto.com)

# iBoard®



## STEP 1

Start the installation under the driver side of the vehicle. Locate the front (3) factory studs along the inner side of the body panel, (Fig 1). **NOTE:** Chase threads on the studs first before installing Brackets to remove paint buildup. **Only (2) studs will be used on each mounting location.**



(Fig 1) Driver Side Front Mounting Location

## STEP 2

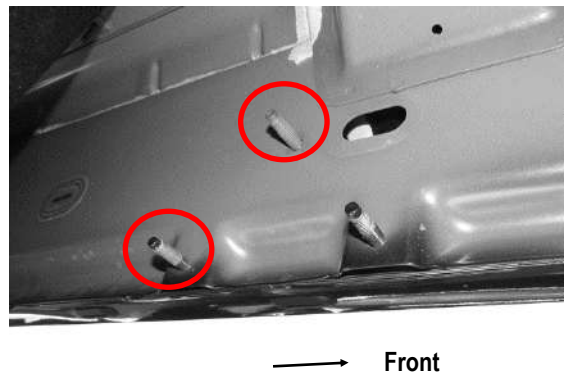
Select (1) Mounting Bracket. Attach the Mounting Bracket to the (2) factory studs on the Driver Side Front Mounting Bracket Location with (2) M8 Large Flat Washers and (2) M8X1.25 Nylon Lock Nuts, (Fig 3). Do not fully tighten the hardware at this time.

**NOTE:** All (6) Mounting Brackets are universal and will fit driver or passenger side.

## STEP 3

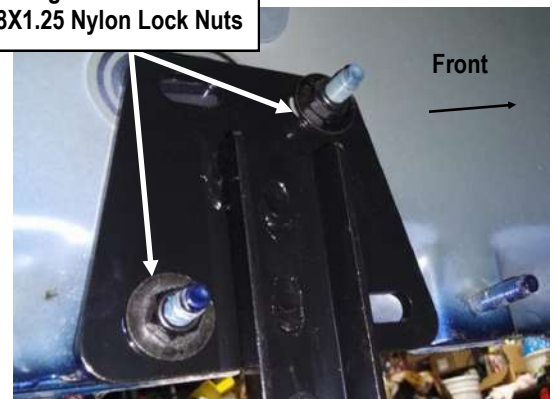
Move to the driver side center & rear of the vehicle, (Figs 2 & 4). Repeat Steps 1—2 to install the driver side Center & Rear Mounting Brackets.

**NOTE:** All (6) Mounting Brackets are universal.



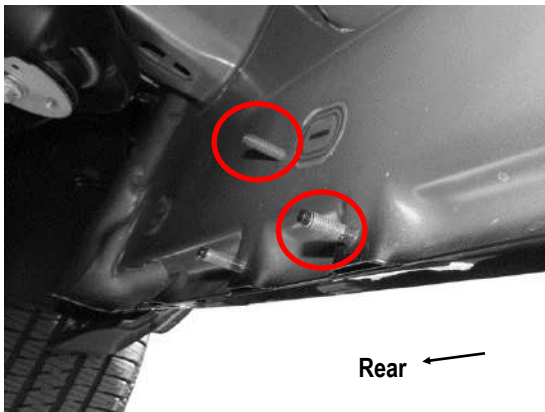
(Fig 2) Driver Side Center Mounting Location

(2) M8 Large Flat Washers  
(2) M8X1.25 Nylon Lock Nuts



(Fig 3) Driver Center Mounting Bracket Installed

# iBoard®



(Fig 4) Driver Side Rear Mounting Location

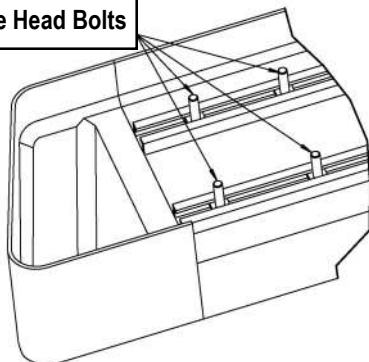
## STEP 4

Select a Running Board. Slip (3) M6X1-20mm Square Head Bolts into each bottom channel (Fig 5). Carefully position the Running Board onto the (3) Mounting Brackets.

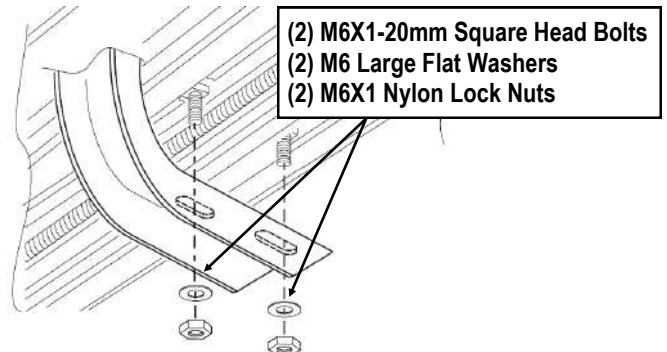
**IMPORTANT:** Do not slide the Running Board on the Brackets or the bottom surface of the board will be damaged. Attach the Running Board to each Mounting Brackets with (2) M6x1-20mm Square Head Bolts, (2) M6 Large Flat Washers and (2) M6 X1 Nylon Lock Nuts (Fig 6). Do not fully tighten at this time.

Level and adjust the Running Board and fully tighten all hardware.

M6X1-20mm Square Head Bolts



(Fig 5) Slip M6X1-20mm Square Head Bolts Into The Bottom Channels



(Fig 6) Running Board Installed Onto Mounting Bracket

## STEP 5

Repeat **Steps 1-4** for the other side Running Board installation. The installation is completed (Fig 7).



(Fig 7) Installation Completed

### Attention

Do periodic inspections to the installation to make sure that all hardware is secure and tight.

In order to protect your bars/boards, please use only mild soap/non-abrasive products for cleaning.