

# iBoard®



Scan for  
Installation Video

## iBoard® by APS

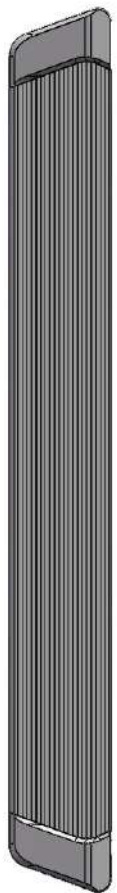
PART#: IB-R046

READ INSTRUCTIONS CAREFULLY BEFORE STARTING INSTALLATION. REMOVE CONTENTS FROM BOX AND VERIFY ALL PARTS ARE PRESENT. ASSISTANCE IS RECOMMENDED.

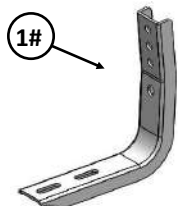
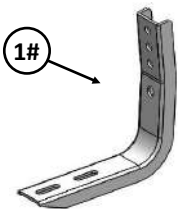
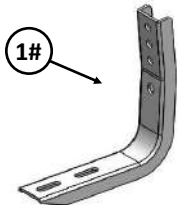
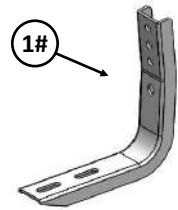
\*ROCKER PANEL MOUNT  
\*DRILLING IS REQUIRED

Fastener Size	Tightening Torque (ft-lbs)	Required
6mm	6-7	√
8mm	16-18	√
10mm	31-32	X
12mm	56-58	X
14mm	92-94	X

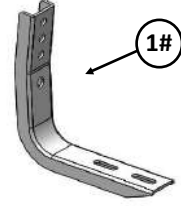
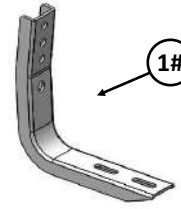
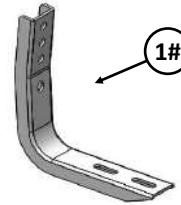
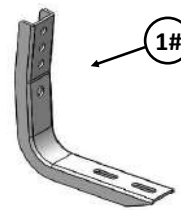
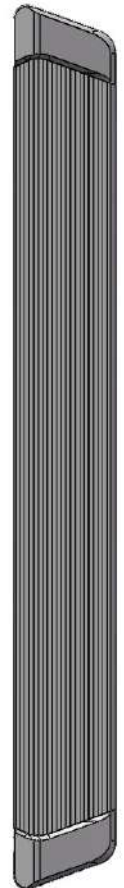
Driver



Front



Passenger





### Hardware Package A (For Bracket Installation)

Item	QTY	Description	Item	QTY	Description
1#	8	Mounting Brackets	4#	8	M8 Nylon Lock Nuts
2#	8	M8X1.25-20mm Hex Bolts	5#	16	ST6.3-25mm Hex Flange Self Tapping Screws
3#	16	M8 Large Flat Washers			



2 #



3 #



4 #



5 #

### Hardware Package B (For Step Bar Installation)

Item	QTY	Description	Item	QTY	Description
1#	16	M6X1-20mm Square Head Bolts	3#	16	M6 Nylon Lock Nuts
2#	16	M6 Large Flat Washers			



1#



2#



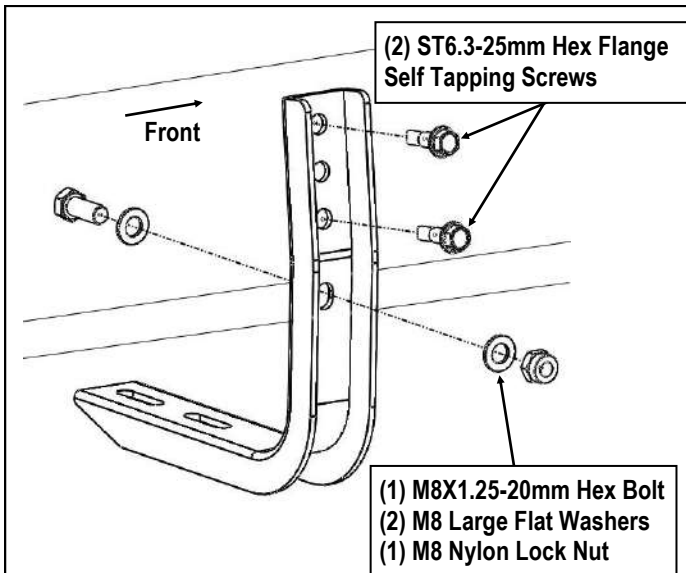
3#



## STEP 1

Starting on the Driver side of the vehicle. Attach (1) Mounting Bracket to the rocker panel with (2) ST6.3-25mm Hex Flange Self Tapping Screws per bracket (**Fig 1**). Don't fully tighten at this time.

**Note: (8) Mounting Brackets Are Universal.**



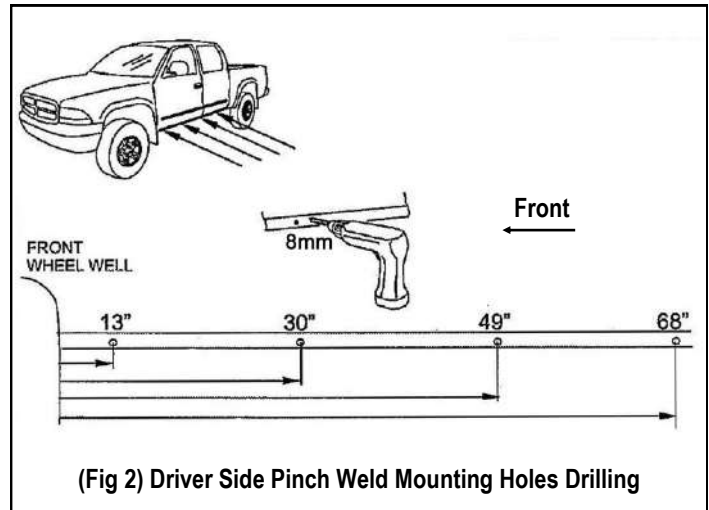
(Fig 1) Driver Side Mounting Bracket Installation Exemplified

## STEP 2

Use the Mounting Bracket as template, mark and drill (4) 8mm holes in pinch weld. If necessary, remove the brackets from the rocker panel for drilling (**Fig 2**). **Note: The dimensions on Fig 2 for reference only. It may be varied on some models.**

## STEP 3

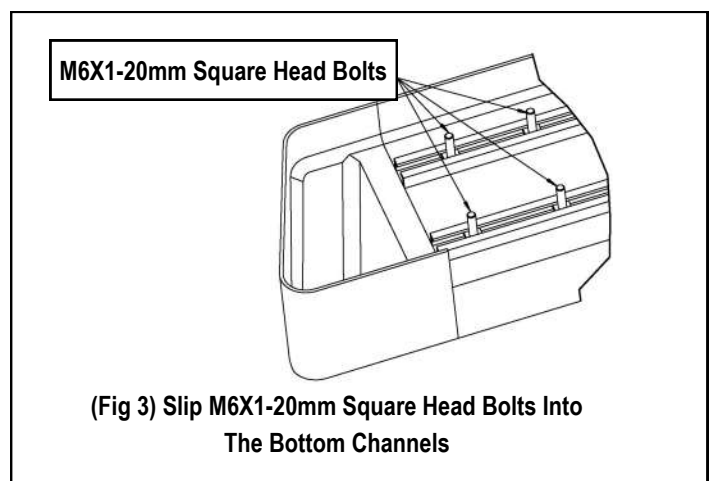
Attach the Mounting Bracket onto the drilled holes on pinch weld with (1) M8X1.25-20mm Hex Bolt, (2) M8 Large Flat Washers and (1) M8 Nylon Lock Nut, (**Fig 1**). Don't fully tighten at this time.

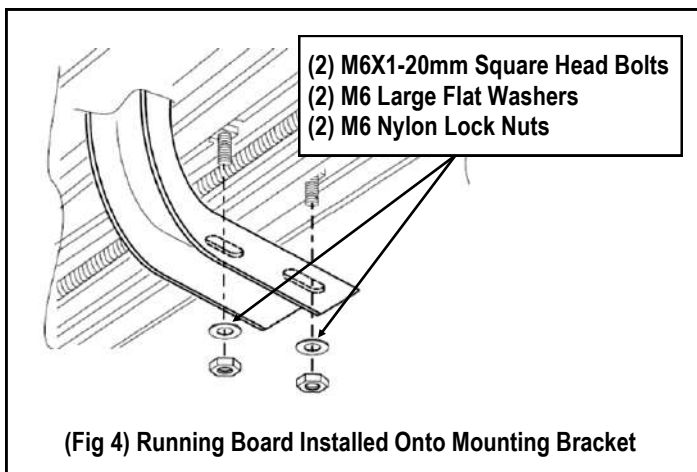


## STEP 4

Once all (4) mounting brackets are installed. Select a Running Board. Slip (4) M6X1-20mm Square Head Bolts into each bottom channel (**Fig 3**). Carefully position the Running Board onto the (4) Mounting Brackets. Attach the Running Board to each Mounting Bracket with (2) M6X1-20mm Square Head Bolts, (2) M6 Large Flat Washers and (2) M6 Nylon Lock Nuts (**Fig 4**). Do not fully tighten at this time.

**IMPORTANT:** Do not slide the Running Board on the Brackets or the bottom surface of the board will be damaged.





## STEP 5

Level and adjust the Running Board and fully tighten all hardware.

**Important:** Please follow the recommended Tightening Torques shown in the table on page 1. Don't over tighten, or the nuts/bolts will be damaged.

## STEP 6

Repeat **Steps 1-5** for the other side Running Board installation. The installation is completed.

### Attention

Do periodic inspections to the installation to make sure that all hardware is secure and tight.

In order to protect your bars/boards, please use mild soap/non-abrasive products for cleaning only.