

iBoard®

iBoard® by APS

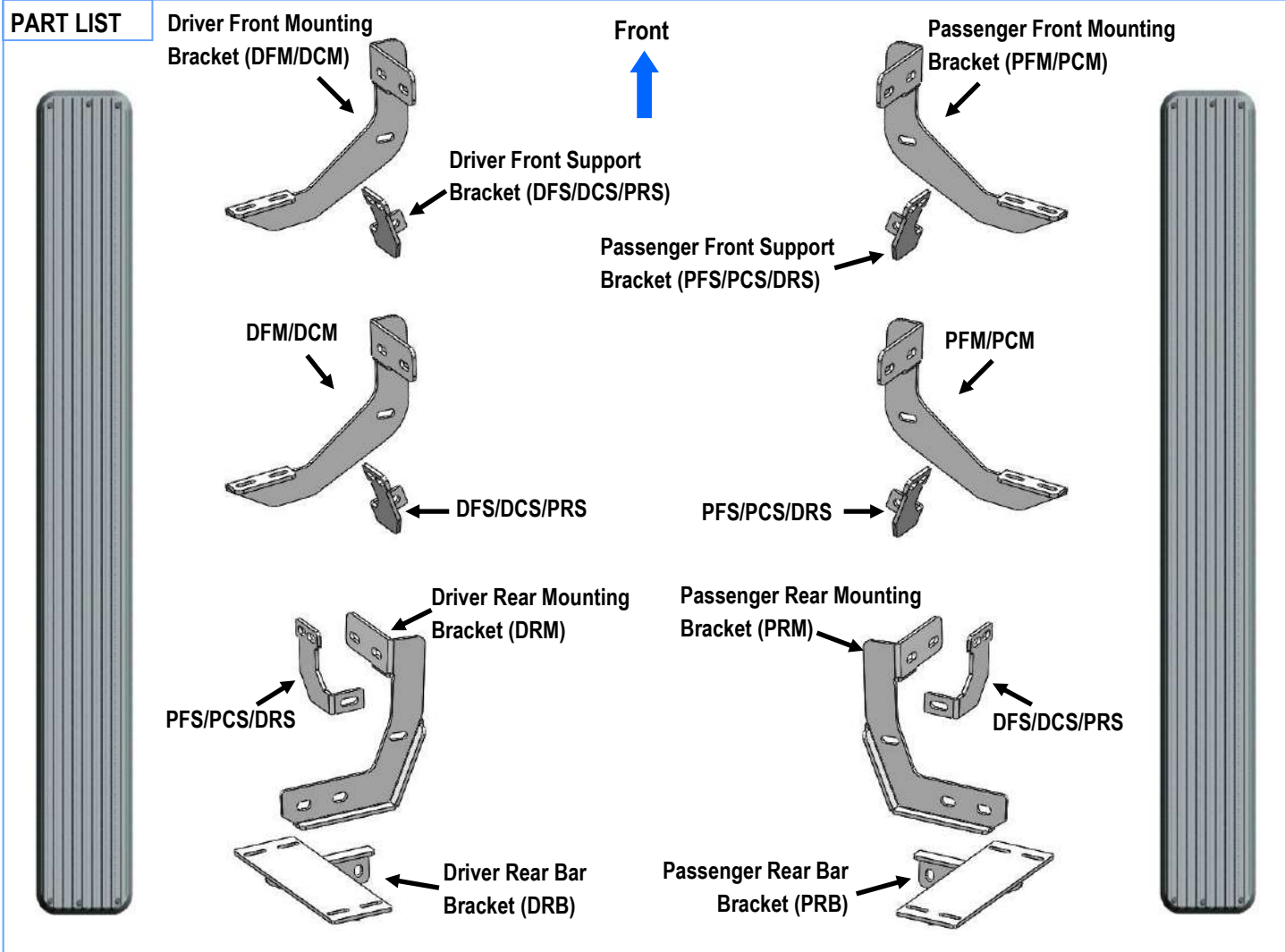
PART#: IB-179L&208[L,S]

READ INSTRUCTIONS CAREFULLY BEFORE STARTING INSTALLATION. REMOVE CONTENTS FROM BOX AND VERIFY ALL PARTS ARE PRESENT. ASSISTANCE IS RECOMMENDED.

*ROCKER PANEL MOUNT
*DRILLING MAY BE REQUIRED

Fastener Size	Tightening Torque (ft-lbs)	Required
6mm	6-7	√
8mm	16-18	√
10mm	31-32	√
12mm	56-58	X
14mm	92-94	X

PART LIST



Customer Support: info@iboardauto.com

iBoard®

Hardware Package A (For Bracket Installation)



M8 Bolt Plate



Plastic Washer



M10X1.5-30 Hex Bolt



M10 Flat Washer



M10 Lock Washer



M10X1.5 Hex Nut



M8X1.25-30 Hex Bolt



M8 Flat Washer



M8 Lock Washer



M8X1.25 Hex Nut



M8X1.25 Nylon Lock Nut



M6X1-25 Hex Bolt



M6 Large Flat Washer



M6X1 Nylon Lock Nut

Hardware Package B (For Aluminum Step Bar Installation Only, Not Supply to Stainless Steel Step Bar)



M6X1-20 Square Head Bolt



M6 Large Flat Washer



M6X1 Nylon Lock Nut

Hardware Package C (For Stainless Steel Step Bar Installation Only, Not Supply to Aluminum Step Bar)



M6X1-20 Hex Bolt



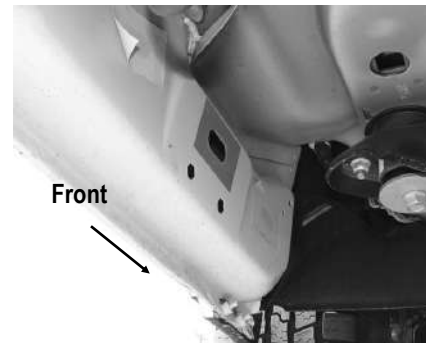
M6 Lock Washer



M6 Flat Washer

STEP 1

Start installation from the driver side front mounting location of the vehicle. Remove the sealing tapes covering the factory holes in the inner of body panel, **(Fig1)**.



(Fig 1) 2009-Mid 2015 Driver Front Mounting Location (No Factory Holes In Pinch Weld on Some Models)

iBoard®

STEP 2

Determine the correct procedure to attach the driver side Brackets for your model/year:

Models without factory threaded inserts on body panel:

a. Select (1) M8 Bolt Plate, (Fig 2). Partially thread the M8X1.25-30 Hex Bolt into the welded nut on the Bolt Plate until it is flush with the welded nut, (Fig 3). Use the Hex Bolt as a handle and insert the Nut/Bolt Plate into the oval hole, (Fig 4). Feed the threaded bolt on the Bolt Plate through one of the hex shaped factory holes. Thread (1) Plastic Washer onto the welded bolt and down tight against the body panel, (Fig 5). **NOTE:** The Plastic Washer is designed to keep the Bolt Plate out falling into the body panel and to aid in Bracket installation.

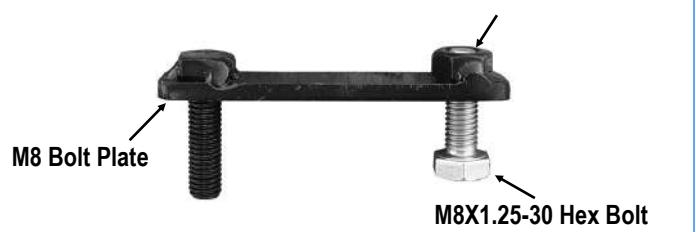
b. Attach (1) Driver Front Mounting Bracket (DFM/DCM) to the welded bolt of the M8 Bolt Plate on the driver side front location with (1) M8 Flat Washer, (1) M8 Lock Washer and (1) M8X1.25 Hex Nut, (Fig 6a).

Remove the M8X1.25-30 Hex Bolt from the Bolt Plate. Hold the welded bolt and rotate the Bolt Plate until the welded nut lines up with the remaining hole on the Mounting Bracket. Do not fully tighten hardware at this time.

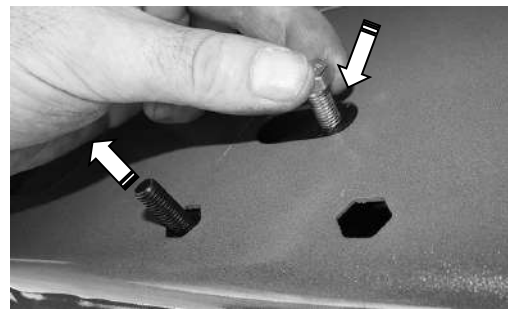
c. Secure the Driver Front Mounting Bracket to the welded nut on the M8 Bolt Plate with (1) M8x1.25-30 Hex Bolt, (1) M8 Lock Washer and (1) M8 Flat Washer (Fig 6b). Do not fully tighten hardware at this time.



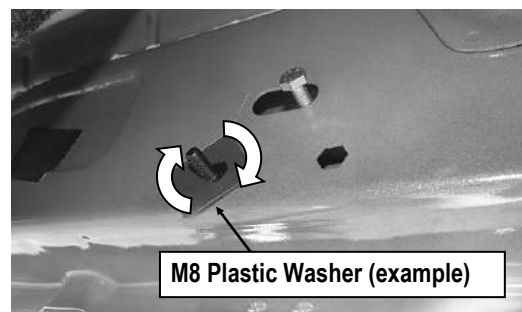
(Fig 2) M8 Bolt Plate (NOTE: M8 Bolt Plate is not required on models with threaded inserts on body panel)



(Fig 3) Thread (1) M8X1.25-30 Hex Bolt into the welded nut on the plate. (Stop when bolt reaches end of nut as pictured)

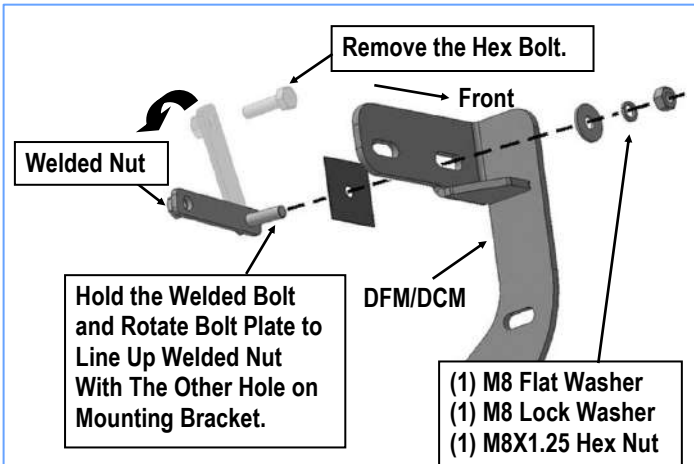


(Fig 4) Use the loose Hex Bolt as a handle. Insert the Bolt Plate into the oval hole and feed the threaded bolt out either factory hex shaped hole. **IMPORTANT:** Do not let go of the hex bolt until after Plastic Washer has been threaded onto bolt (Fig 5).

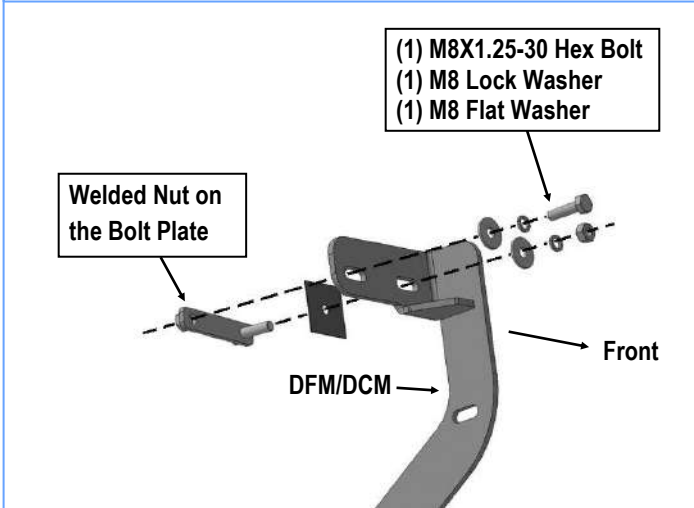


(Fig 5) Thread Plastic Washer onto the welded bolt to hold Bolt Plate in position

iBoard®



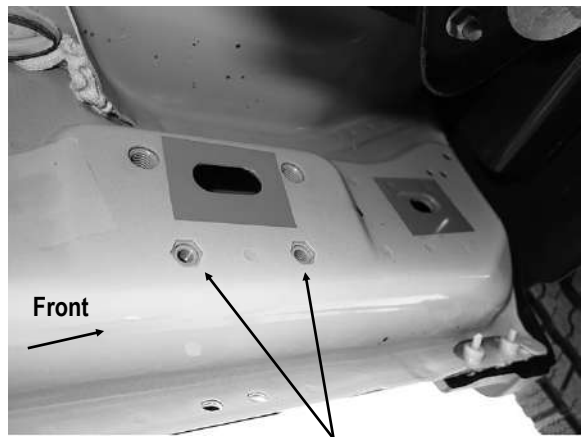
(Fig 6a) Attach Driver Front Mounting Bracket to Welded Bolt on the M8 Bolt Plate



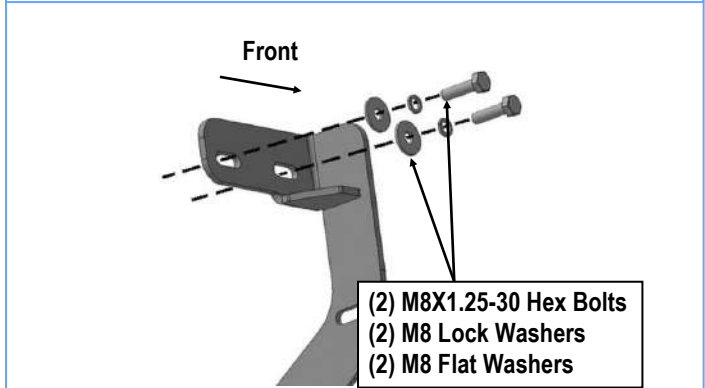
(Fig 6b) Secure the Mounting Bracket to the Welded Nut on the M8 Bolt Plate

Models with factory threaded inserts on body panel:

Attach Driver Front Mounting Bracket (DFM/DCM) to the threaded inserts with (2) M8x1.25-30 Hex Bolts, (2) M8 Lock Washers and (2) M8 Flat Washers, (Fig 7 & 8). Leave hardware loose.



(Fig 7) Driver Side Front Mounting Location (Mid 2015-On, An Example Of Models With Factory Installed Threaded Inserts)



(Fig 8) Driver Front Mounting Bracket Installed (For Models With Factory Installed Threaded Inserts. Bolt Plate Not Required)

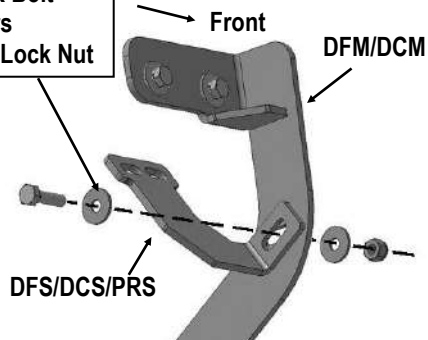
STEP 3

Attach the Driver Front Support Bracket (DFS/DCS/PRS) to the Driver Front Mounting Bracket (DFM/DCM) with (1) M8x1.25-30 Hex Bolt, (2) M8 Flat Washers and (1) M8X1.25 Nylon Lock Nut, (Fig 9). Rotate the support bracket to the back of the pinch weld. Line up the slots on the Support Bracket with the (2) factory holes on the pinch weld. Attach the Bracket to the back of the pinch weld with (2) M6x1-25 Hex Bolts, (4) M6 Large Flat Washers and (2) M6X1 Nylon Lock Nuts, (Fig 10). Do not fully tighten hardware at this time.

iBoard®

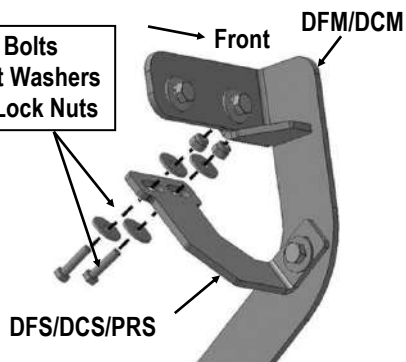
IMPORTANT: Some models are not equipped with factory holes on pinch weld and will require drilling through holes on the pinch weld to attach the Support Bracket. Do not drill through pinch weld at this time, (Refer to Step 8).

- (1) M8X1.25-30 Hex Bolt
- (2) M8 Flat Washers
- (1) M8X1.25 Nylon Lock Nut



(Fig 9) Attach Driver Front Support Bracket to the Driver Front Mounting Bracket

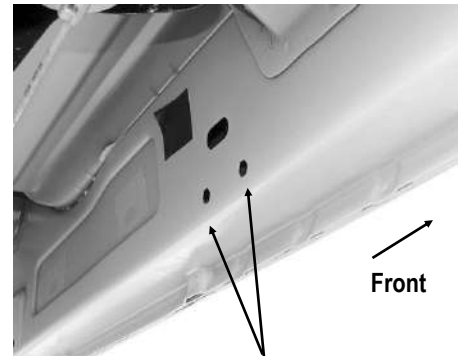
- (2) M6X1-25 Hex Bolts
- (4) M6 Large Flat Washers
- (2) M6X1 Nylon Lock Nuts



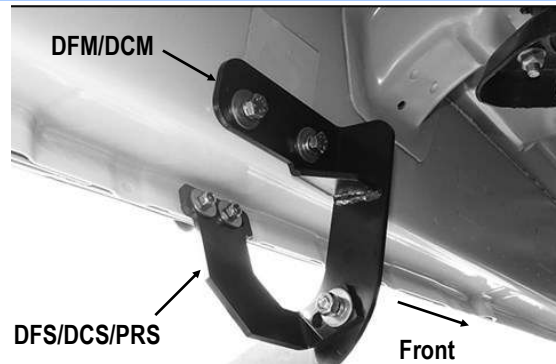
(Fig 10) Attach Support Bracket to the Back of Pinch Weld (Some Models May Require to Drill Holes on Pinch Weld)

STEP 4

Move to the Driver Side Center Mounting location, (Fig 11). Repeat **Steps 1-3** to install the Driver Side Center Brackets, (Fig 12). Do not fully tighten hardware at this time.



(Fig 11) Driver Side Center Mounting Location



(Fig 12) Driver Side Center Brackets Installed

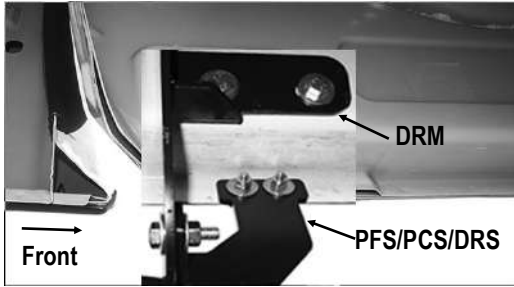
STEP 5

Move to the Driver Side Rear Mounting location, (Fig 13). Repeat **Steps 1-3** to install the Driver Rear Mounting Bracket (DRM) and Driver Rear Support Bracket (PFS/PCS/DRS), (Fig 14). Do not tighten hardware at this time.



(Fig 13) Driver Side Rear Mounting Location

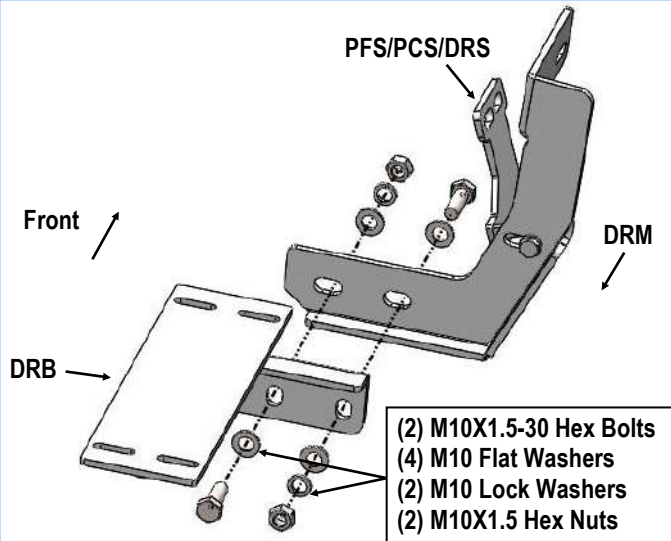
iBoard®



(Fig 14) Driver Side Rear Brackets Installed

STEP 6

Select the Driver Rear Bar Bracket (**DRB**), bolt to the Driver Rear Mounting Bracket (**DRM**) with (2) M10X1.5-30 Hex Bolts, (2) M10 Lock Washers, (4) M10 Flat Washers and (2) M10X1.5 Hex Nuts. (**Fig 15**) .Do not fully tighten hardware at this time.



(Fig 15) Driver Side Rear Bar Bracket Assembly

STEP 7

Once all (3) mounting brackets are installed, then proceed to the Step Bar installation. According to the style of Step Bar proceed to the correct installation STEPS.

Note: Aluminum Step Bar refer to STEP 8; Stainless Steel Step Bar skip to STEP 9.

STEP 8

Aluminum Step Bar Installation:

Select a **Aluminum Step Bar**. Slip (4) M6x1-20 Square Head Bolts into each bottom channel (**Fig 16**). Carefully position the Step Bar onto the (3) Mounting Brackets. **IMPORTANT:** Do not slide the Step Bar on the Brackets or the bottom surface of the board will be damaged.

Attach the Running Board to Front & Center Mounting Brackets with (2) M6X1-20 Square Head Bolts, (2) M6 Flat Washers and (2) M6X1 Nylon Lock Nuts (**Fig 17**).

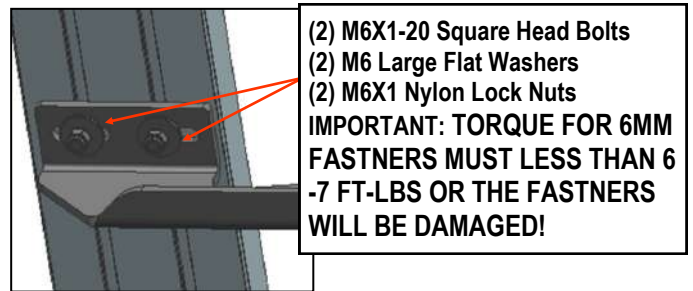
Attach the Running Board to Rear Bar Bracket with (4) M6X1-20 Square Head Bolts, (4) M6 Flat Washers and (4) M6X1 Nylon Lock Nuts (**Fig 18**). Do not tighten hardware at this time.

Level and adjust the Step Bar and fully tighten all hardware.

Repeat **Steps 1-8** for the other side Step Bar installation.



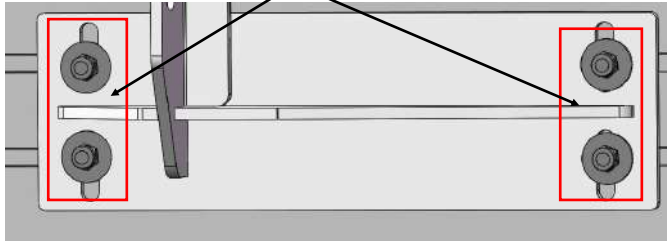
(Fig 16) Slip M6X1-20 Square Head Bolts Into The Bottom Channels



(Fig 17) Running Board Installed Onto Mounting Bracket (Front & Center Mounting Bracket)

iBoard®

- (4) M6X1-20 Square Head Bolts
- (4) M6 Large Flat Washers
- (4) M6X1 Nylon Lock Nuts



(Fig 18) Running Board Installed onto Rear Bar Bracket

STEP 9

Stainless Steel Step Bar Installation:

Select a **Stainless Steel Step Bar** (with the U-Sliders installed on the Bar). Loosen the U-Sliders, reposition the U-Sliders onto the board according to the (3) Installed Mounting Brackets location, (Fig 19). Re-secure the U-Sliders on the Step Bar. Attach the Step Bar to the installed Front & Center Mounting Brackets with (4) M6X1-20mm Hex Bolts, (4) M6 Large Flat Washers & (4) M6 Lock Washers, (Fig 20). Attach the Step Bar to Rear Bar Bracket with (4) M6X1-20mm Hex Bolts, (4) M6 Large Flat Washers & (4) M6 Lock Washers, (Fig 21). Do not fully tighten hardware at this time.

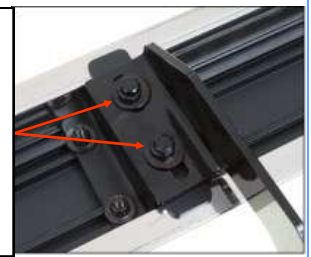
Level and adjust the Step Bar and fully tighten all hardware.

Repeat **Steps 1-7 and 9** for the other side Step Bar installation.



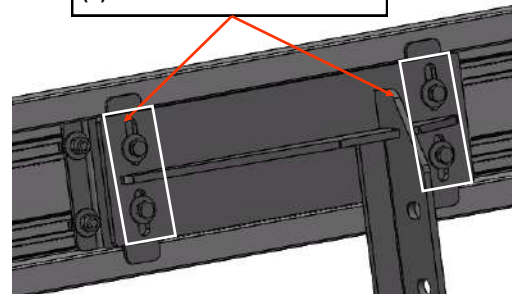
(Fig 19) Slide & line up the U-Slider with the installed mounting brackets along bottom channel

- (2) M6X1-20 Hex Bolts
 - (2) M6 Large Flat Washers
 - (2) M6 Lock Washers
- IMPORTANT: TORQUE FOR 6MM FASTNERS MUST LESS THAN 6-7 FT-LBS OR THE FASTNERS WILL BE DAMAGED!**



(Fig 20) Step Bar Installed on Bracket Installed (Example)

- (4) M6X1-20mm Hex Bolts
- (4) M6 Large Flat Washers
- (4) M6 Lock Washers



(Fig 21) Step Bar Installed onto Rear Bar Bracket (Example)

STEP 10

Properly level and adjust the Step Bar and tighten all hardware.

Models requiring drilling for driver side Support Brackets:

- Make sure the Step Bar is level to the vehicle. Adjust and tighten all mounting hardware.
- Line up the slots on the Support Brackets with the back of the pinch weld. Mark the location of the slots onto the pinch weld.
- Drill (2) 1/4" holes through the pinch weld for each Support Bracket. **IMPORTANT:** Do not drill too close to the bottom edge of the pinch weld. Adjust the Brackets as necessary to move the slots up the body panel away from the edge. Drill the holes toward the outside of the marked slots.
- Attach each Support Brackets to the pinch weld with (2) M6X1-25 Hex Bolts, (4) M6 Large Flat Washers and (2) M6X1 Nylon Lock Nuts, (Fig 12). Check for level then fully tighten all hardware.

iBoard®

STEP 11

Level and adjust the Step Bar and fully tighten all hardware.
The installation is completed.

Attention

Do periodic inspections to the installation to make sure that all hardware is secure and tight.

In order to protect your bars/boards, please use only mild soap/non-abrasive products for cleaning.