

iBoard®

iBoard® by APS

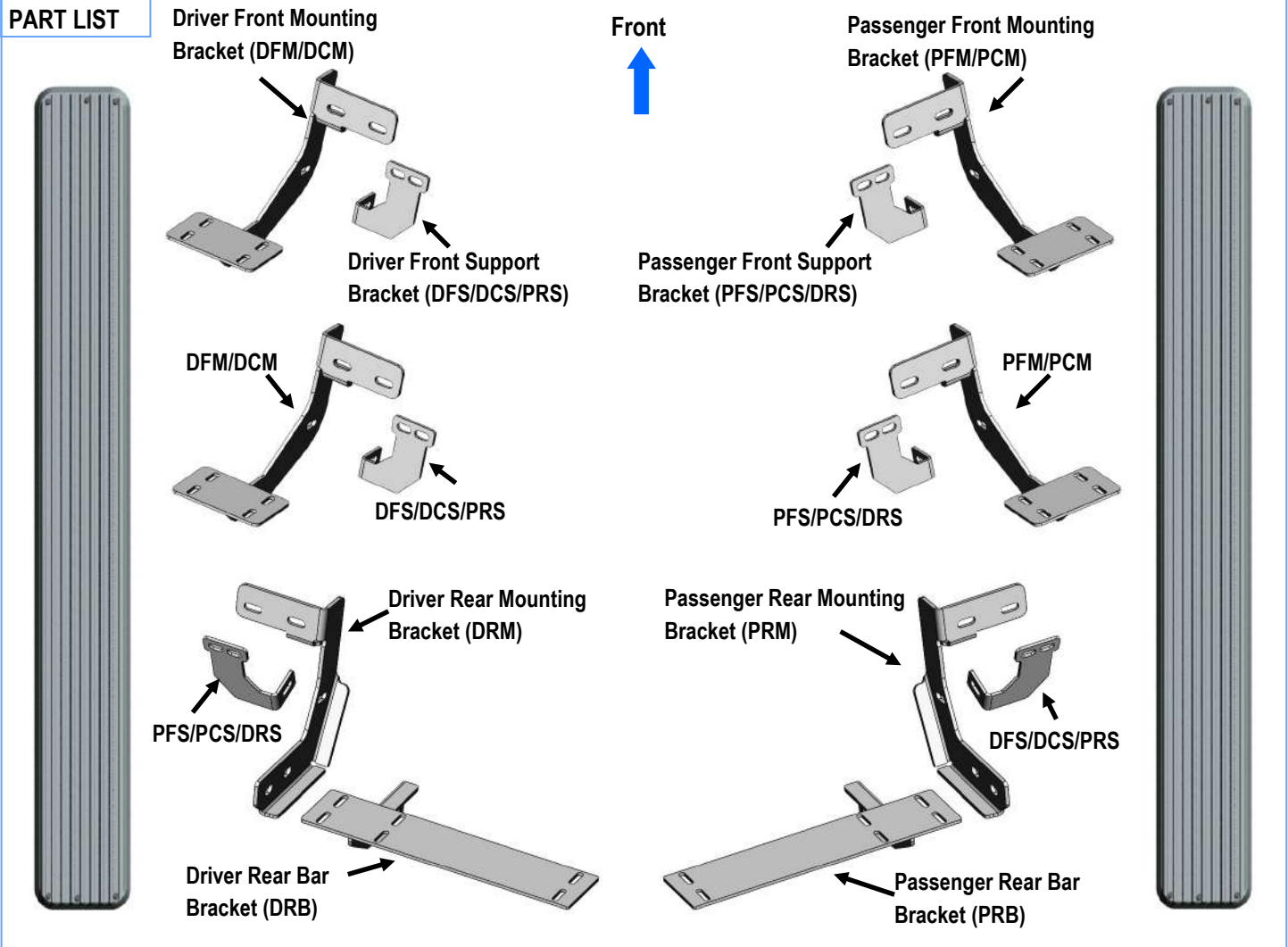
PART#: IB-208[S,L]-A_B

READ INSTRUCTIONS CAREFULLY BEFORE STARTING INSTALLATION. REMOVE CONTENTS FROM BOX AND VERIFY ALL PARTS ARE PRESENT. ASSISTANCE IS RECOMMENDED.

***ROCKER PANEL MOUNT
*DRILLING MAY BE REQUIRED**

Fastener Size	Tightening Torque (ft-lbs)
6mm	6-7
8mm	16-18
10mm	31-32
12mm	56-58
14mm	92-94

PART LIST



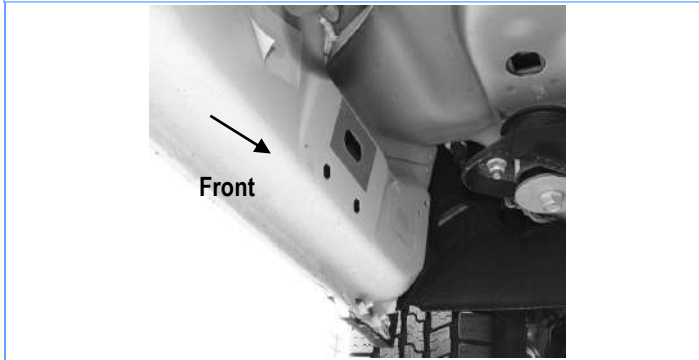
Customer Support: info@iboardauto.com

iBoard®



STEP 1

Start installation from the driver side front mounting location of the vehicle. Remove the sealing tapes covering the factory holes in the inner of body panel, (Fig1).



(Fig 1) 2009-Mid 2015 Driver Front Mounting Location (No Factory Holes In Pinch Weld on Some Models)

STEP 2

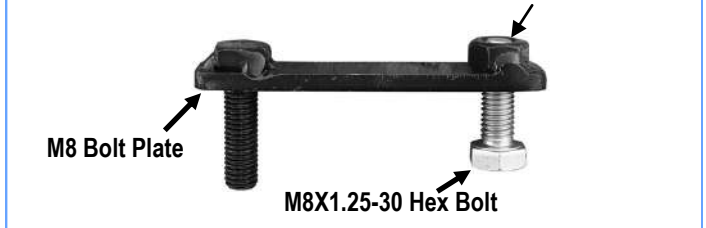
Determine the correct procedure to attach the driver side Brackets for your model/year:

Models without factory threaded inserts on body panel:

a. Select (1) M8 Bolt Plate, (Fig 2). Partially thread the M8X1.25-30 Hex Bolt into the welded nut on the Bolt Plate until it is flush with the welded nut, (Fig 3). Use the Hex Bolt as a handle and insert the Nut/Bolt Plate into the oval hole, (Fig 4). Feed the threaded bolt on the Bolt Plate through one of the hex shaped factory holes. Thread (1) Plastic Washer onto the welded bolt and down tight against the body panel, (Fig 5). **NOTE:** The Plastic Washer is designed to keep the Bolt Plate out falling into the body panel and to aid in Bracket installation.

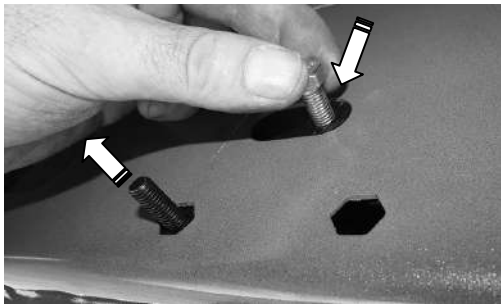


(Fig 2) M8 Bolt Plate (NOTE: M8 Bolt Plate is not required on models with threaded inserts on body panel)

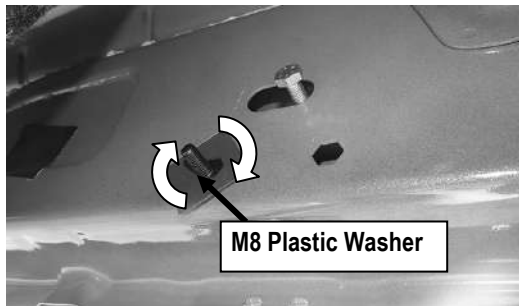


(Fig 3) Thread (1) M8X1.25-30 Hex Bolt into the welded nut on the plate. (Stop when bolt reaches end of nut as pictured)

iBoard®



(Fig 4) Use the loose Hex Bolt as a handle. Insert the Bolt Plate into the oval hole and feed the threaded bolt out either factory hex shaped hole. **IMPORTANT:** Do not let go of the hex bolt until after Plastic Washer has been threaded onto bolt (Fig 5).

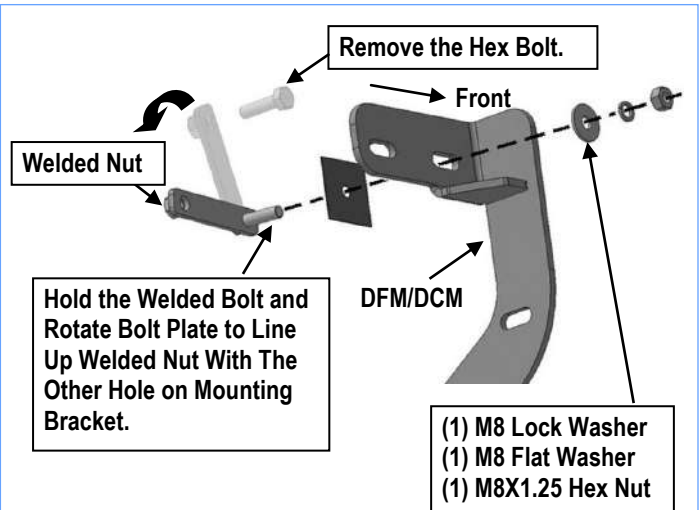


(Fig 5) Thread Plastic Washer onto the welded bolt to hold Bolt Plate in position

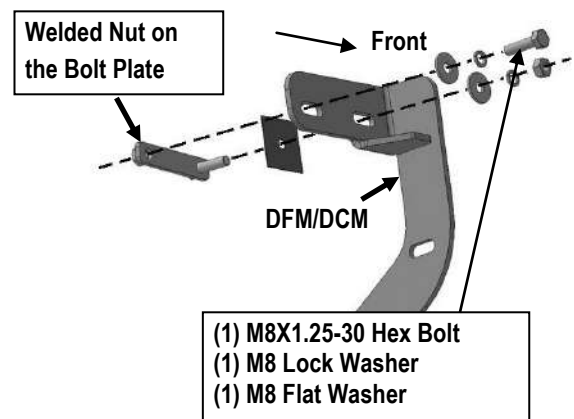
b. Attach (1) Driver Front Mounting Bracket (DFM/DCM) to the welded bolt of the M8 Bolt Plate on the driver side front location with (1) M8 Flat Washer, (1) M8 Lock Washer and (1) M8X1.25 Hex Nut, (Fig 6a).

Remove the M8X1.25-30 Hex Bolt from the Bolt Plate. Hold the welded bolt and rotate the Bolt Plate until the welded nut lines up with the remaining hole on the Mounting Bracket. Do not fully tighten hardware at this time.

C. Secure the Driver Front Mounting Bracket to the welded nut on the M8 Bolt Plate with (1) M8x1.25-30 Hex Bolt, (1) M8 Lock Washer and (1) M8 Flat Washer (Fig 6b). Do not fully tighten hardware at this time.



(Fig 6a) Attach Driver Front Mounting Bracket to Welded Bolt on the M8 Bolt Plate

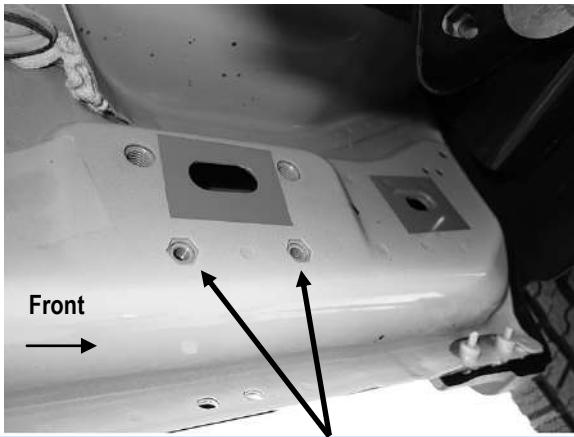


(Fig 6b) Secure the Mounting Bracket to the Welded Nut on the M8 Bolt Plate

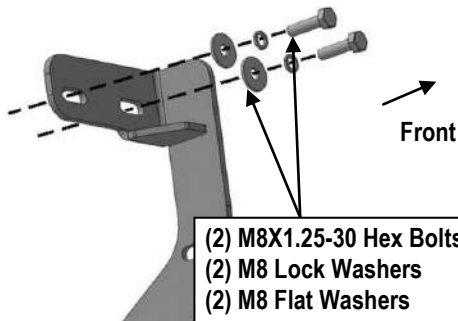
Models with factory threaded inserts on body panel:

Attach Driver Front Mounting Bracket (DFM/DCM) to the threaded inserts with (2) M8x1.25-30 Hex Bolts, (2) M8 Lock Washers and (2) M8 Flat Washers, (Fig 7 & 8). Leave hardware loose.

iBoard®



(Fig 7) Driver Side Front Mounting Location (Mid 2015-On, An Example Of Models With Factory Installed Threaded Inserts)

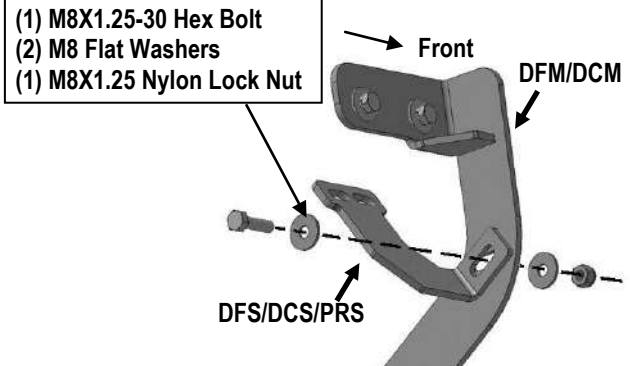


(Fig 8) Driver Front Mounting Bracket Installed (For Models With Factory Installed Threaded Inserts. Bolt Plate Not Required)

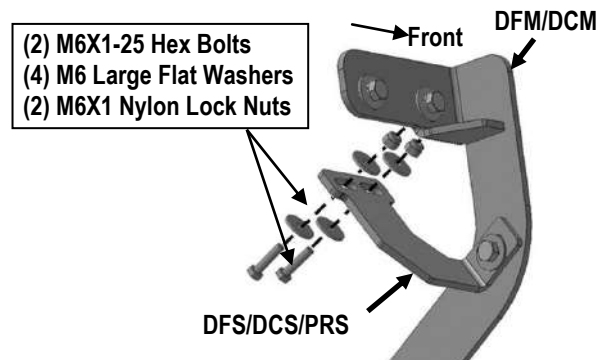
STEP 3

Attach the Driver Front Support Bracket (**DFS/DCS/PRS**) to the Driver Front Mounting Bracket (**DFM/DCM**) with (1) M8x1.25-30 Hex Bolt, (2) M8 Flat Washers and (1) M8X1.25 Nylon Lock Nut, (**Fig 9**). Rotate the support bracket to the back of the pinch weld. Line up the slots on the Support Bracket with the (2) factory holes on the pinch weld. Attach the Bracket to the back of the pinch weld with (2) M6x1-25 Hex Bolts, (4) M6 Large Flat Washers and (2) M6X1 Nylon Lock Nuts, (**Fig 10**). Do not fully tighten hardware at this time.

IMPORTANT: Some models are not equipped with factory holes on pinch weld and will require drilling through holes on the pinch weld to attach the Support Bracket. Do not drill through pinch weld at this time, (Refer to Step 8).



(Fig 9) Attach Driver Front Support Bracket to the Driver Front Mounting Bracket

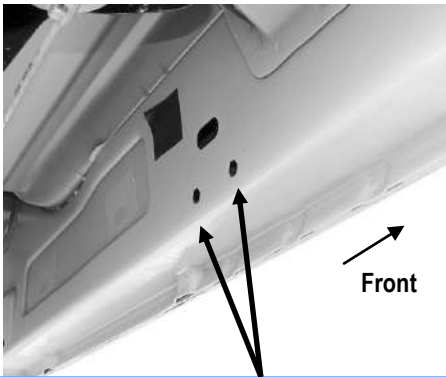


(Fig 10) Attach Support Bracket to the Back of Pinch Weld (Some Models May Require to Drill Holes on Pinch Weld)

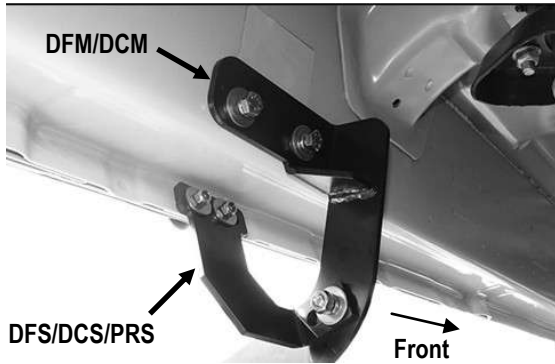
STEP 4

Move to the Driver Side Center Mounting location, (**Fig 11**). Repeat **Steps 1-3** to install the Driver Side Center Brackets, (**Fig 12**). Do not fully tighten hardware at this time.

iBoard®



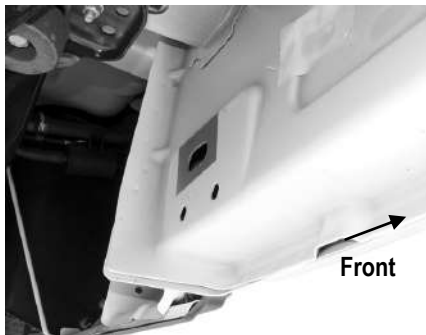
(Fig 11) Driver Side Center Mounting Location



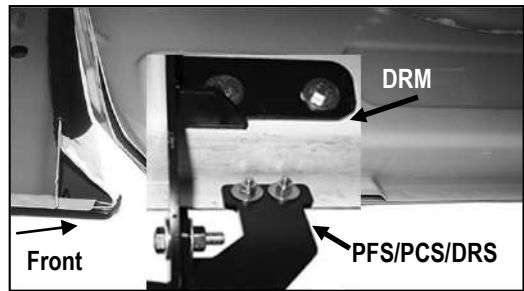
(Fig 12) Driver Side Center Brackets Installed

STEP 5

Move to the Driver Side Rear Mounting location, (Fig 13). Repeat **Steps 1-3** to install the Driver Rear Mounting Bracket (**DRM**) and Driver Rear Support Bracket (**PFS/PCS/DRS**), (Fig 14). Do not tighten hardware at this time.



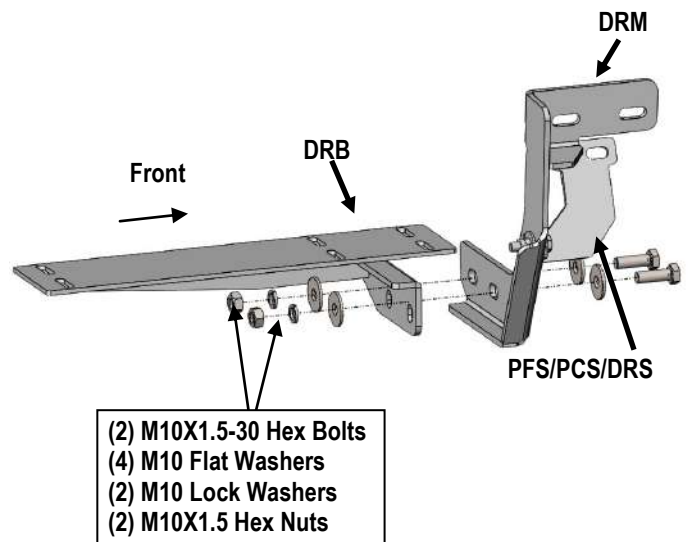
(Fig 13) Driver Side Rear Mounting Location



(Fig 14) Driver Side Rear Brackets Installed

STEP 6

Select the Driver Rear Bar Bracket (**DRB**), bolt to the Driver Rear Mounting Bracket (**DRM**) with (2) M10X1.5-30 Hex Bolts, (2) M10 Lock Washers, (4) M10 Flat Washers and (2) M10X1.5 Hex Nuts. (Fig 15). Do not fully tighten hardware at this time.



(Fig 15) Driver Side Rear Bar Bracket Assembly

iBoard®

STEP 7

Select a Running Board. Slip (7) M6X1-20 Square Head Bolts into each bottom channel (Fig 16). Carefully position the Running Board onto the (3) Mounting Brackets. **IMPORTANT:** Do not slide the Running Board on the Brackets or the bottom surface of the running board might be damaged.

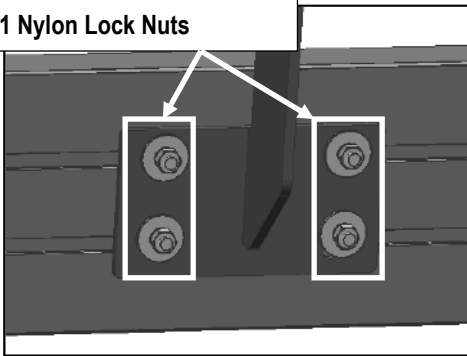
Attach the Running Board to Front & Center Mounting Brackets with (2) M6X1-20 Square Head Bolts, (2) M6 Flat Washers and (2) M6X1 Nylon Lock Nuts (Fig 17).

Attach the Running Board to Rear Bar Bracket with (6) M6X1-20 Square Head Bolts, (6) M6 Flat Washers and (6) M6X1 Nylon Lock Nuts (Fig 18). Do not tighten hardware at this time.



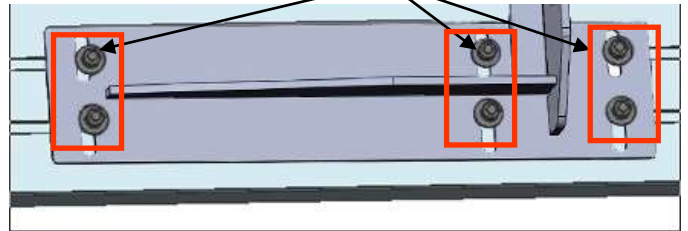
(Fig 16) Slip (7) M6X1-20 Square Head Bolts Into The Bottom Channels

(4) M6X1-20 Square Head Bolts
(4) M6 Flat Washers
(4) M6X1 Nylon Lock Nuts



(Fig 17) Running Board Installed onto Front & Center Mounting Brackets

(6) M6X1-20 Square Head Bolts
(6) M6 Flat Washers
(6) M6X1 Nylon Lock Nuts



(Fig 18) Running Board Installed onto Rear Bar Bracket

STEP 8

Properly level and adjust the Step Bar and tighten all hardware.

Models requiring drilling for driver side Support Brackets:

- Make sure the Step Bar is level to the vehicle. Adjust and tighten all mounting hardware.
- Line up the slots on the Support Brackets with the back of the pinch weld. Mark the location of the slots onto the pinch weld.
- Drill (2) 1/4" holes through the pinch weld for each Support Bracket. **IMPORTANT:** Do not drill too close to the bottom edge of the pinch weld. Adjust the Brackets as necessary to move the slots up the body panel away from the edge. Drill the holes toward the outside of the marked slots.
- Attach each Support Brackets to the pinch weld with (2) M6X1-25 Hex Bolts, (4) M6 Large Flat Washers and (2) M6X1 Nylon Lock Nuts, (Fig 12). Check for level then fully tighten all hardware.

iBoard®

STEP 9

Level and adjust the Running Board as necessary and fully tighten all hardware again.

STEP 10

Repeat **Steps 1-9** for the passenger side Running Board installation. The installation is completed.

Attention

Do periodic inspections to the installation to make sure that all hardware is secure and tight.

In order to protect your bars/boards, please use only mild soap/non-abrasive products for cleaning.