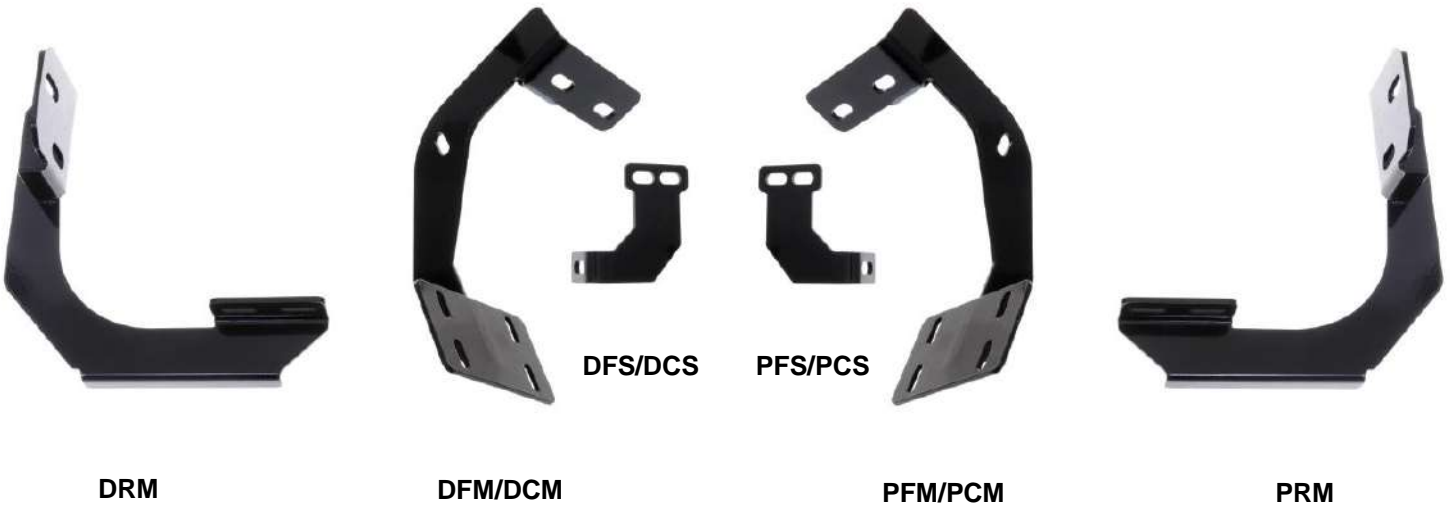
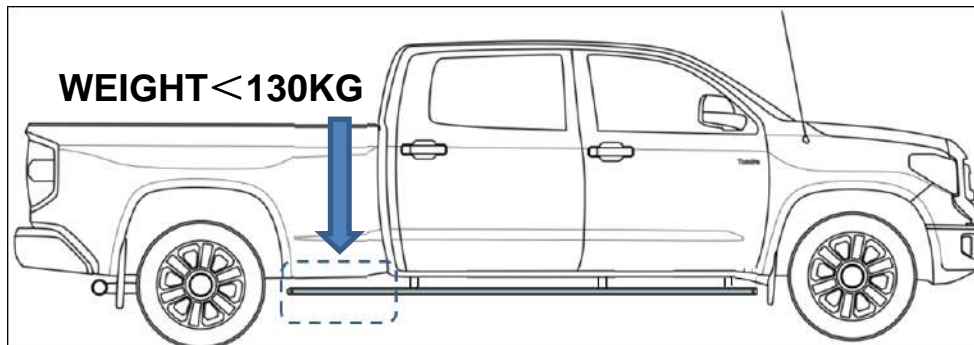


PARTS LIST:

Item	QTY	Description	Item	QTY	Description
#1	2	Running Board(use for left or right)	#14	2	M12-1.75 Hex Nut
#2	3	Driver/Left Mounting Brackets(DFM/DCM)	#15	2	M10X1.5 - 30 Hex Bolts
#3	3	Passenger/Right Mounting Brackets(PFM/PCM)	#16	2	10.5 x 30 OD x 2.5mm Flat Washer
#4	1	Driver/Left Rear Bracket (DRM)	#17	2	M10 Lock Washer
#5	1	Passenger/Right Rear Bracket(PRM)	#18	18	M8X1.25 - 30 Hex Bolts
#6	3	"L" Support Brackets(DFS/DCS)	#19	24	M8 Flat Washers
#7	3	"R" Support Brackets(PFS/PCS)	#20	12	M8 Lock Washers
#8	2	M12 x 35mm Bolt x M10 Nut Plate	#21	6	M8 Hex Nuts
#9	2	12mm Plastic Retainer	#22	6	M8 Nylon Lock Nuts
#10	6	M8 x 30m Bolt x M8 Nut Plate	#23	12	M6 x1- 25 Hex Bolts
#11	6	8mm Plastic Retainer	#24	52	M6 Flat Washers
#12	2	13mm x 37mm OD x 3mm Flat Washer	#25	40	M6 Nylon Lock Nuts
#13	2	M12 Lock Washer	#26	28	M6X1.0 - 20mm T-Bolts



IMPORTANT ALERT: FOR WHEEL TO WHEEL APPLICATION, WEIGHT TO THE REAR END AREA OF THE RUNNING BOARD BEHIND THE LAST BRACKET NEED TO LESS THEN 130KG.OVERWEIGHT IN THIS AREA MAYBE DAMAGE YOUR RUNNING BOARD.



PROCEDURE:

- 1. REMOVE CONTENTS FROM BOX. VERIFY ALL PARTS ARE PRESENT. READ INSTRUCTIONS CAREFULLY BEFORE STARTING INSTALLATION. DRILLING MAY BE REQUIRED.**

2. Starting at the driver side-front of the vehicle, remove the sealing tape covering the factory holes in the side of the inner panel, **(Figure 1)**.
3. Determine the correct procedure to attach one driver side Bracket for your model/year:
Models without factory threaded inserts in body panel:
 - a. Partially thread an 8mm Hex Bolt onto the threaded end of a 8mm Bolt and Nut Plate, **(Figure 2)**. Thread the Hex Bolt in until it is flush with the welded nut, **(Figure 3)**. Use the Hex Bolt as a handle and insert the Bolt and Nut Plate into the oval hole, **(Figure 4)**. Feed the threaded bolt on the Bolt Plate through one of the hex shaped factory holes. Thread (1) 8mm Plastic Retainer onto the threaded end and down tight against the body panel, **(Figure 5)**. **NOTE:** The Plastic Retainer is designed to keep the Bolt/Nut Plate from falling into the body panel and to aid in Bracket installation.
 - b. Select a driver side Mounting Bracket, **(Figure 6)**. Attach the Bracket to the threaded end of the Bolt Plate with (1) 8mm Flat Washer, (1) 8mm Lock washer and (1) 8mm Hex Nut, **(Figure 7)**. Do not tighten at this time.
 - c. Remove the 8mm Hex Bolt from the nut on the Bolt Plate from **Step 3a**. Rotate the Bolt on the Bolt Plate until the threaded nut lines up with the remaining hole in the Mounting Bracket and body panel, **(Figures 7 & 8)**. Attach the Bracket to the threaded Nut Plate with (1) 8mm x 30mm Hex Bolt, (1) 8mm Lock Washer and (1) 8mm Flat Washer, **(Figure 8)**. Do not fully tighten hardware at this time.

Models with factory threaded inserts:

- a. Attach the driver side Bracket to the threaded inserts with (2) 8mm x 30mm Hex Bolts, (2) 8mm Lock Washers and (2) 8mm Flat Washer, **(Figures 9 & 10)**. Leave hardware loose.
4. Next, select a "L" Support Bracket. Attach the Bracket to the front facing side of the front Bracket with (1) 8mm x 30mm Hex Bolt, (2) 8mm Flat Washers and (1) 8mm Nylon Lock Nut, **(Figure 9)**. Rotate the Support Bracket to the back of the pinch weld. Line up the slots in the top of the Support Bracket with the (2) factory holes in the pinch weld. Attach the Bracket to the back of the pinch weld with (2) 6mm x 25mm Hex Bolts (GOLDEN), (4) 6mm Flat Washers (GOLDEN) and (2) 6mm Nylon Lock Nuts (GOLDEN), **(Figures 10&11)**. Do not fully tighten hardware at this time. **IMPORTANT:** 2009-10 models are not equipped with factory holes and will require drilling through the pinch weld to attach the Support Bracket. Do not drill through pinch weld at this time, **(see Step 8)**.
5. Move along the side of the body panel to the center/2# mounting location, **(Figure12)**. Repeat the appropriate **Step 3** to install the driver side center Bracket, **(Figure 1)**. **IMPORTANT:** The front , center driver Mounting Brackets are universal. Select (1) "L" Support Bracket. Repeat **Step 4** to attach the Support Bracket to the back of the center bracket and factory holes (if equipped) in the pinch weld, **(Figure 13&14)**.
6. Move to the 3# mounting location, **(Figure 15)**. Repeat **Step 5** to install the #3 Mounting Bracket and Support Brackets, **(Figure 16&17)**.
7. Next, locate the factory oval hole in the rear corner of the cab, **(Figure 18)**. Select (1) 12mm Bolt and Nut Plate and (1) 12mm Plastic Retainer. Partially thread the Retainer onto the Bolt Plate, **(Figure19)**. Insert the Bolt Plate into the hole similar as described in **Step 3**, **(Figure 21)**. Select the driver side rear Bracket, **(Figure 20)**. Attach the rear Bracket to the Bolt Plate with (1) 12mm Flat Washer, (1) 12mm Lock Washer and (1) 12mm Hex Nut, **(Figure 22)**.
8. **Optional Rear Bracket Installation**-requires drilling-highly recommended for heavy duty use:
 - a. Once **Step 7** has been completed, loosen the Hex Nut on the Bolt Plate and center the threaded end in the slot in the Bracket and the vehicle, **(Figure 23)**. Trace the open, unused slot in the bracket mounting plate onto the body panel.
 - b. Remove the Rear Bracket and Bolt Plate, **(Figure 24)**. Mark the center of the slot. Carefully drill the location with a 7/16" drill bit, **(Figure 25)**. **IMPORTANT!** Any cutting or drilling tool may break or shatter. Government regulations require safety glasses & equipment at all times when drilling.
 - c. Reinstall the Bolt Plate and Bracket as previously described in **Step 7**, **(Figure 24)**. Rotate the Bolt Plate around to line up with the drilled hole. Insert (1) 10mm x 30mm Hex Bolt, (1) 10mm Lock Washer and (1) 10mm Flat Washer through the Bracket, hole and into the 12mm Bolt/10mm Nut Plate, **(Figures 24 & 25)**.

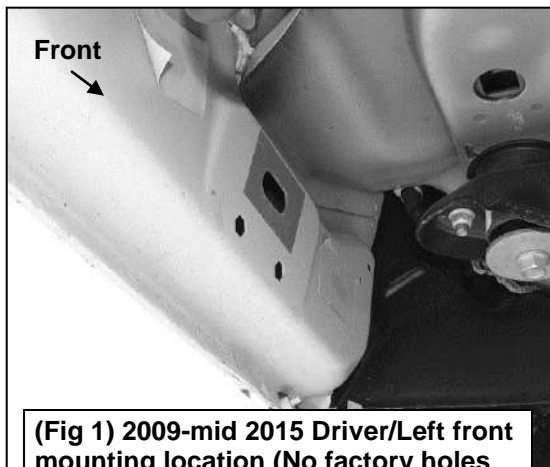
9. Once all (4) Brackets have been installed, Select a Running Board. Slip (14) 6mm T-Bolts into each bottom channel (**Figure 26**). Carefully position the Running Board onto the Mounting Brackets. Attach the Running Board to the Driver/Left Mounting Brackets with (4) 6mm T-bolts, (4) 6mm flat washers and (4) 6mm lock nuts, to Rear bracket with (2) 6mm T-bolts, (2) 6mm flat washers and (2) 6mm lock nuts (**Figure 27&28**). Do not tighten hardware at this time
10. Properly level and adjust the Running Board and fully tighten all hardware.
2009-10 models requiring drilling for driver side Support Brackets:
 - a. Make sure the Running Board is level to the vehicle. Adjust and tighten all mounting hardware.
 - b. Line up the slots on the Support Brackets with the back of the pinch weld. Mark the location of the slots onto the pinch weld.
 - c. Drill (2) 1/4" holes through the pinch weld for each Support Bracket. **IMPORTANT:** Do not drill too close to the bottom edge of the pinch weld. Adjust the Brackets as necessary to move the slots up the body panel away from the edge. Drill the holes toward the outside of the marked slots.
 - d. Attach each Support Bracket to the pinch weld with (2) M6X1-25 Hex Bolts, (4) 6mm Flat Washers and (2) 6mm Nylon Lock Nuts, (**Figures 11, 14, 17,**). Check for level then fully tighten all hardware.
11. Level and adjust the Running Board and fully tighten all hardware.
12. Repeat **Steps 2—11** for passenger Running Board installation.
13. Do periodic inspections to the installation to make sure that all hardware is secure and tight.

To protect your investment, wax this product after installing. Regular waxing is recommended to add a protective layer over the finish. Do not use any type of polish or wax that may contain abrasives that could damage the finish.

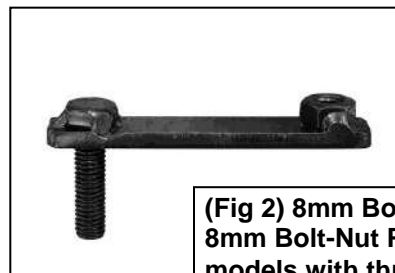
For Polished Finishes: Aluminum polish may be used to polish small scratches and scuffs on the finish. Mild soap may be used also to clean the Running Board.

For black finishes: Mild soap may be used to clean the Running Board.

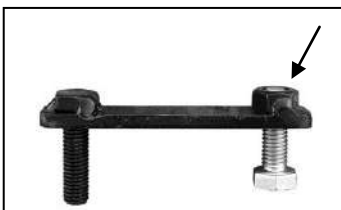
Driver Side Installation Pictured



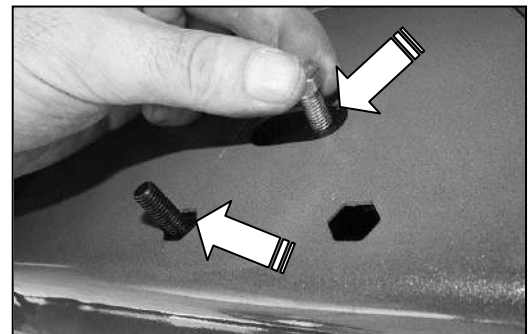
(Fig 1) 2009-mid 2015 Driver/Left front mounting location (No factory holes in pinch weld 2009-2011 models)



(Fig 2) 8mm Bolt-8mm Nut Plate, NOTE: 8mm Bolt-Nut Plate is not required on models with threaded inserts

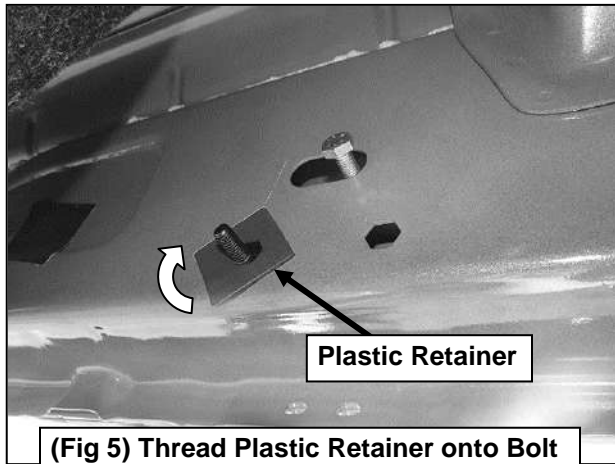


(Fig 3) Thread (1) 8mm Hex Bolt into the nut on the plate. Stop when bolt reaches end of nut as pictured



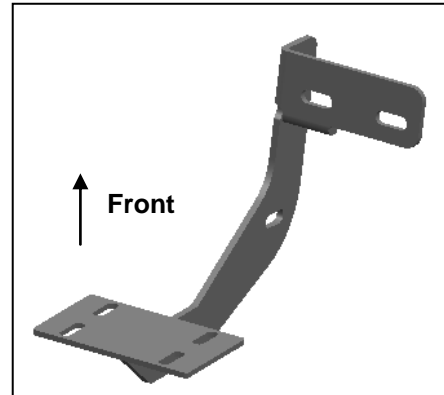
(Fig 4) Use the loose Hex Bolt as a handle. Insert the Bolt Plate into the oval hole and feed the threaded end out either factory hex shaped hole. **IMPORTANT:** Do not let go of the hex bolt until after Plastic Retainer has been threaded onto bolt (Fig 5)

Driver Side Installation Pictured



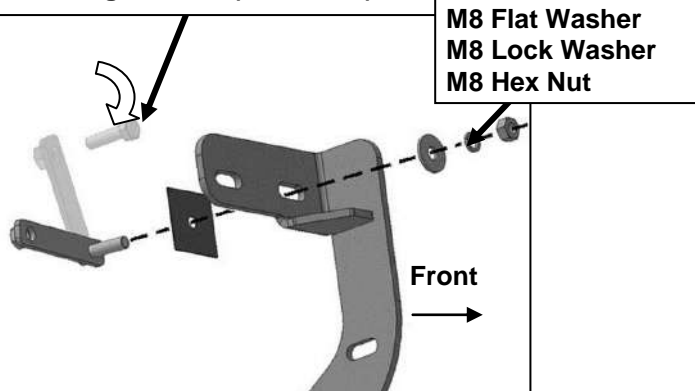
Plastic Retainer

(Fig 5) Thread Plastic Retainer onto Bolt Plate to hold Bole Plate in position.



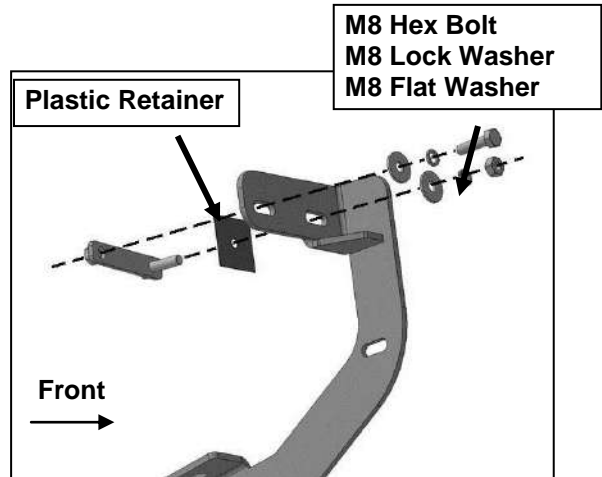
(Fig 6) Driver side Bracket (1#)

Remove Hex Bolt, rotate Bolt/Nut Plate to line up threaded nut with body panel and Mounting Bracket (see arrow)



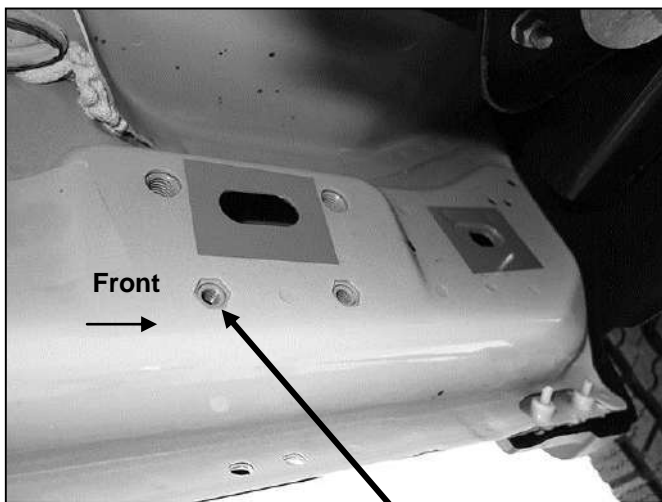
M8 Flat Washer
 M8 Lock Washer
 M8 Hex Nut

(Fig 6A) Attach Bracket to Bolt Plate



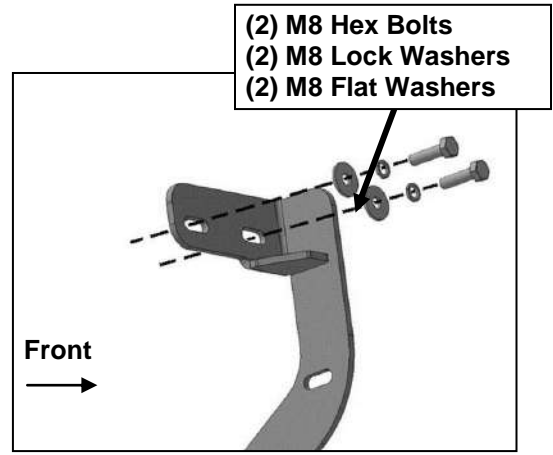
M8 Hex Bolt
 M8 Lock Washer
 M8 Flat Washer

(Fig 6B) Attach Bracket to threaded end of Bolt Plate first. Remove 8mm Hex Bolt (see Fig 3). Rotate Bolt Plate to line up with remaining factory hex shaped hole.



Front

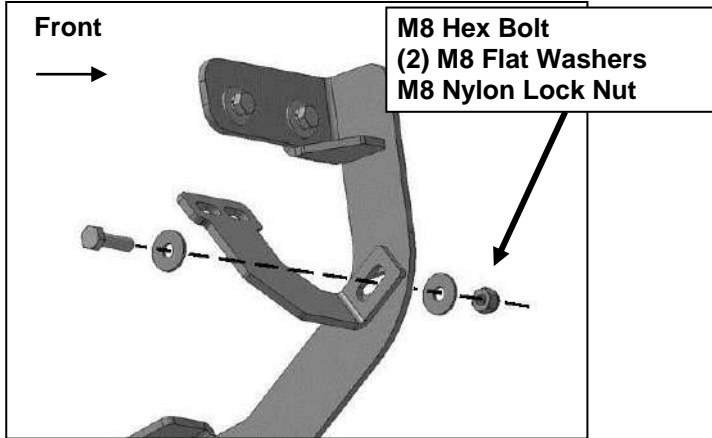
(Fig 7) Driver side front mid 2015-on, an example of models with factory installed threaded inserts



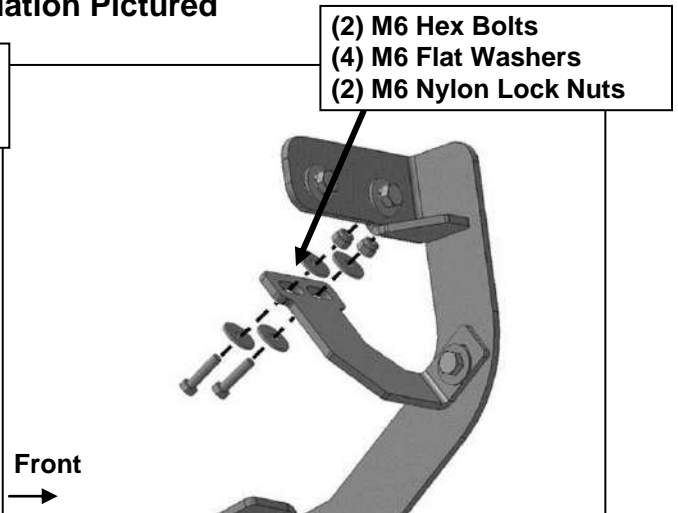
(2) M8 Hex Bolts
 (2) M8 Lock Washers
 (2) M8 Flat Washers

(Fig 8) Driver side front models with factory installed threaded inserts. Bolt Plate not required

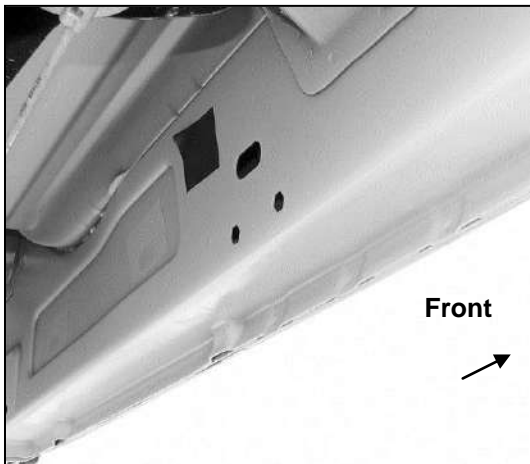
Driver Side Installation Pictured



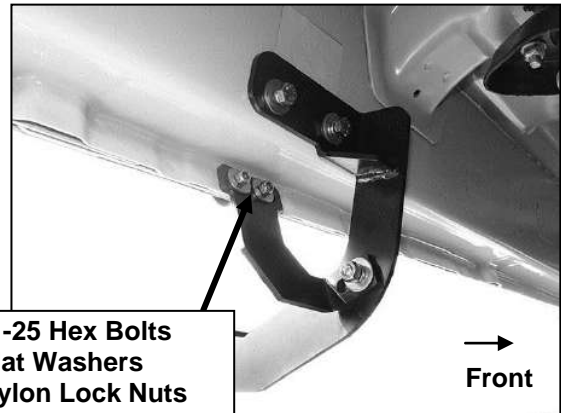
(Fig 9) Attach Driver/Left front Support Bracket to front facing side of Mounting Bracket



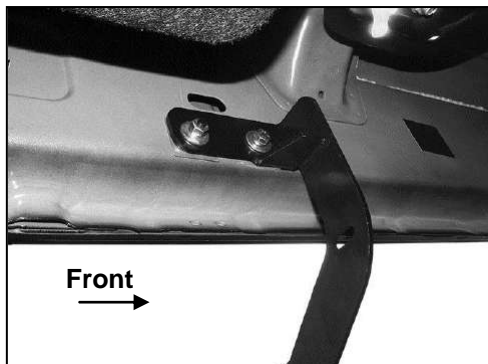
(Fig 10) Attach Support Bracket to back of pinch weld (models with factory holes in pinch weld only)



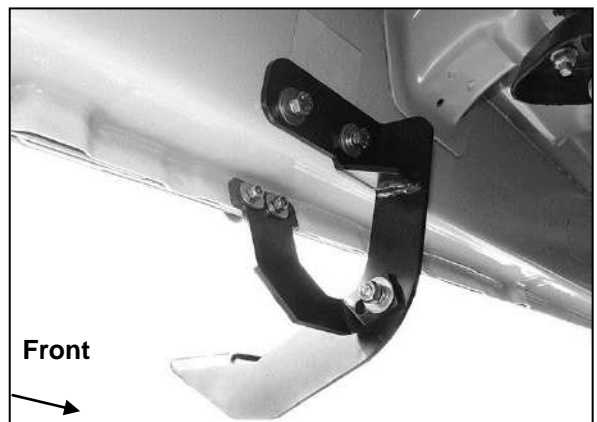
(Fig 12) Driver/Left 2# location



(Fig 11) Driver side 1# Bracket assembly



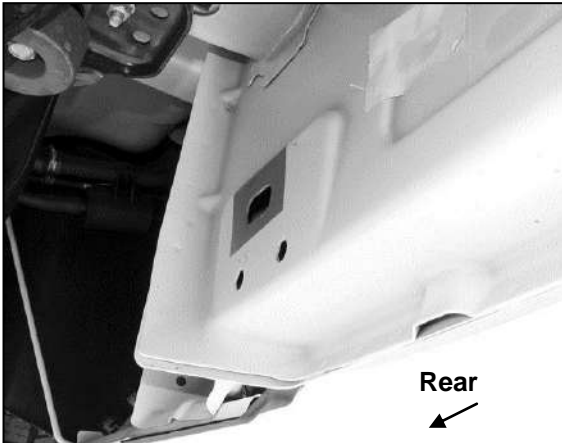
(Fig 13) Attach Driver/Left 2# Bracket



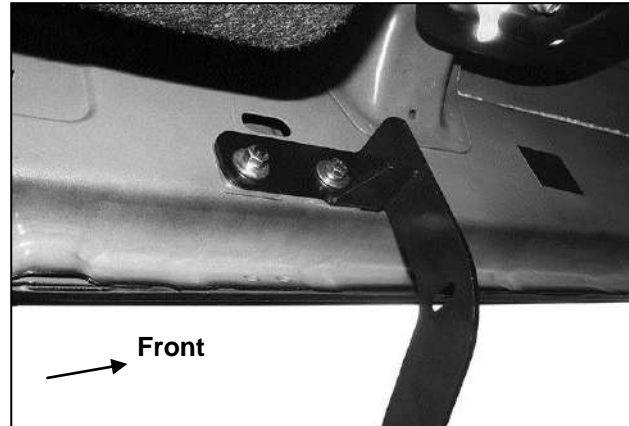
(Fig 14) Attach Driver/Left Support Bracket to back of 2# Mounting Bracket

IMPORTANT: 2009-2010 models without holes in pinch weld will require drilling 1/4" holes through pinch weld to attach driver side front support bracket. Do complete installation of running board first, level board before drilling holes for support bracket.

Driver Side Installation Pictured



(Fig 15) Driver/Left 3# mounting location

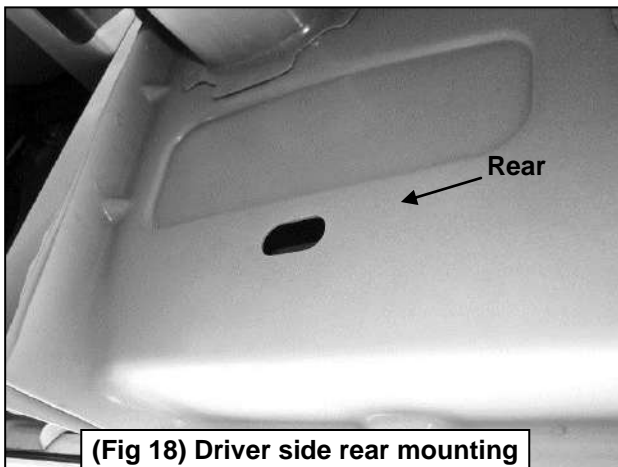


(Fig 16) Attach Support Bracket to back of 3# Mounting Bracket

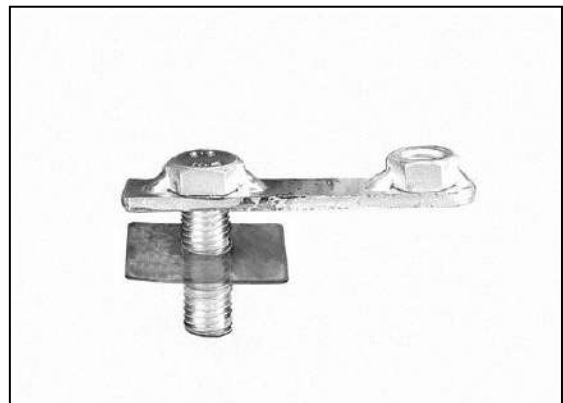


(Fig 17) Driver/Left 3# Bracket assembly

IMPORTANT: 2009-2010 models without holes in pinch weld will require drilling 1/4" holes through pinch weld to attach driver side front support bracket. Do complete installation of *Running Board* first, level *Running Board* before drilling holes for support bracket.

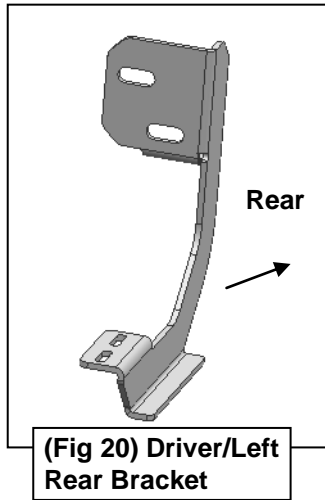


(Fig 18) Driver side rear mounting location at end of cab

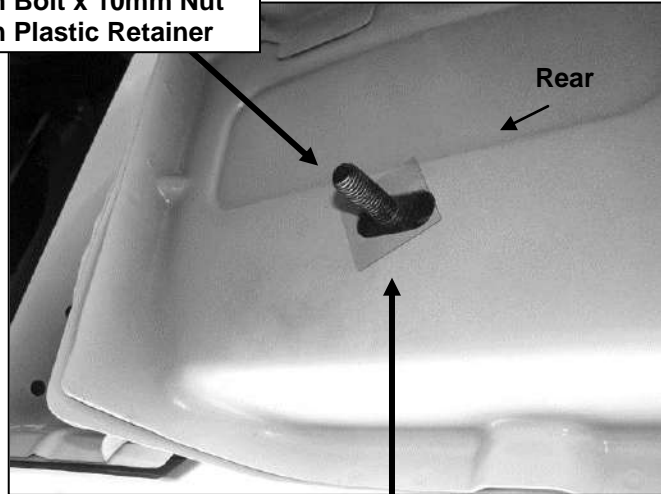


(Fig 19) 12mm Bolt x 10mm Nut Plate with 12mm Plastic Retainer

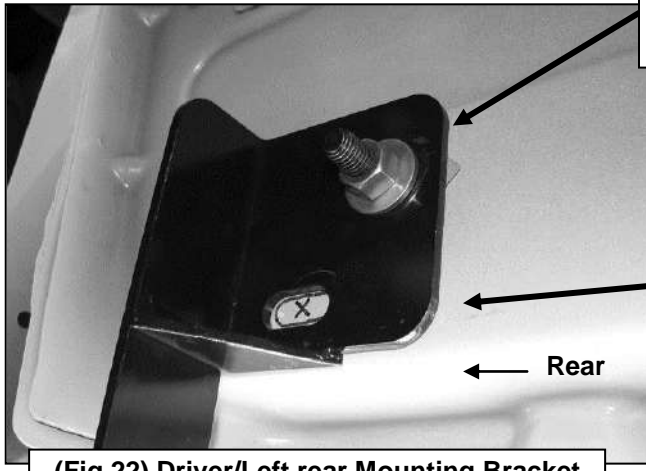
Driver Side Installation Pictured



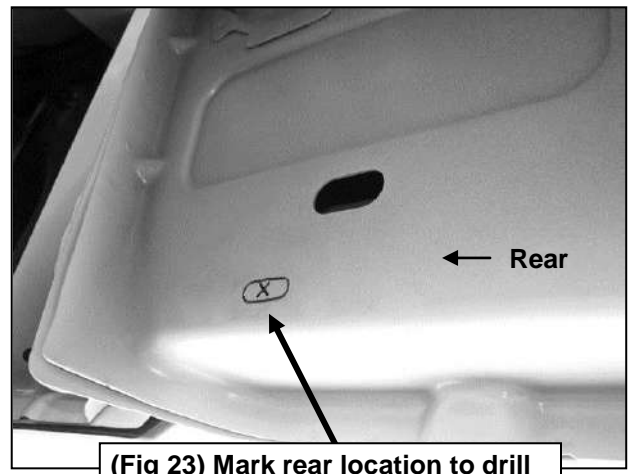
12mm x 40mm Bolt x 10mm Nut
Plate w/ 12mm Plastic Retainer



M12 Flat Washer
M12 Lock Washer
M12 Hex Nut

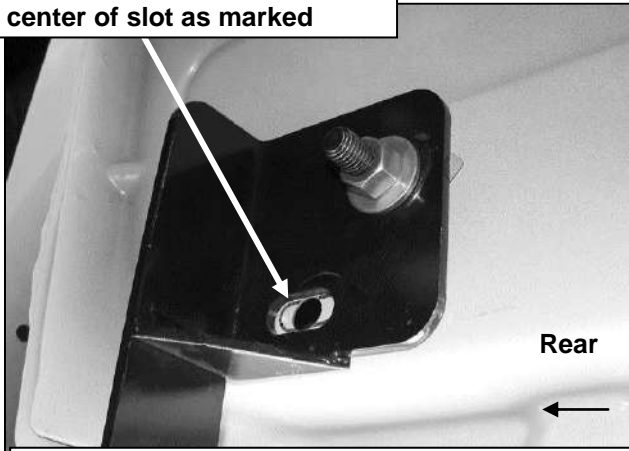


Trace the slot with a marker.
Locate approximate center
of slot and mark to drill



Driver Side Installation Pictured

Use a 7/16" drill bit to drill hole
in center of slot as marked



(Fig 24) Line up Nut on Bolt Plate with Bracket

M12 Flat Washer
M12 Lock Washer
M12 Hex Nut

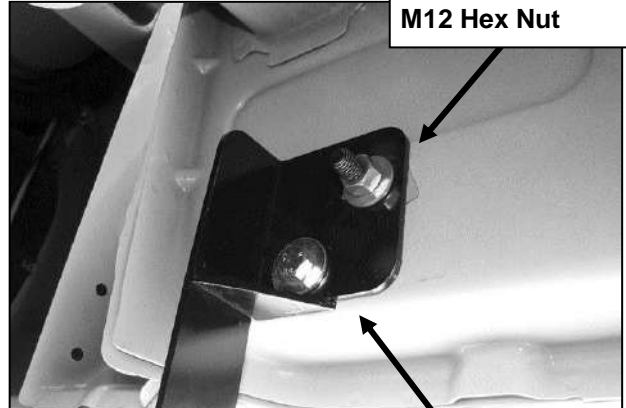


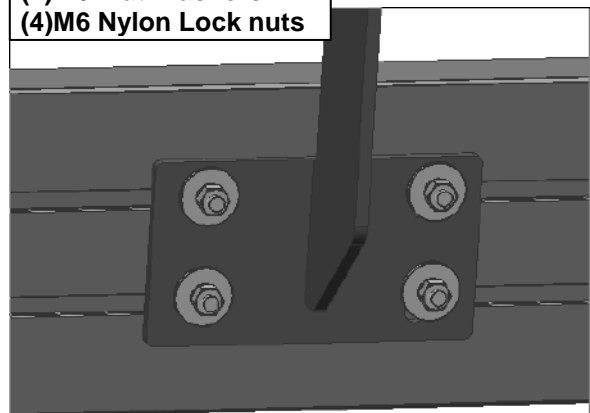
Fig 25

M10 x 30mm Hex Bolt
M10 Flat Washer
M10 Lock Washer



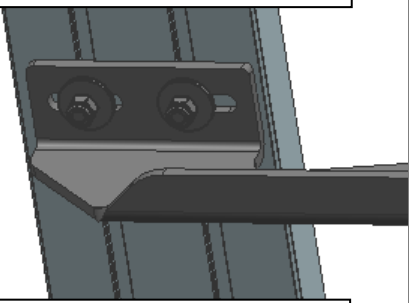
(Fig 26) Slip 6mm T-bolts into
the bottom channel

(4)M6T-bolts
(4)M6 Flat Washers
(4)M6 Nylon Lock nuts



(Fig 27) Front&Center Bracket Installation

(2)M6T-bolts
(2)M6 Flat Washers
(2)M6 Nylon Lock nuts



(Fig 28) Rear Bracket Installation