

# iBoard®

## iBoard® by APS

PART#: IB-176

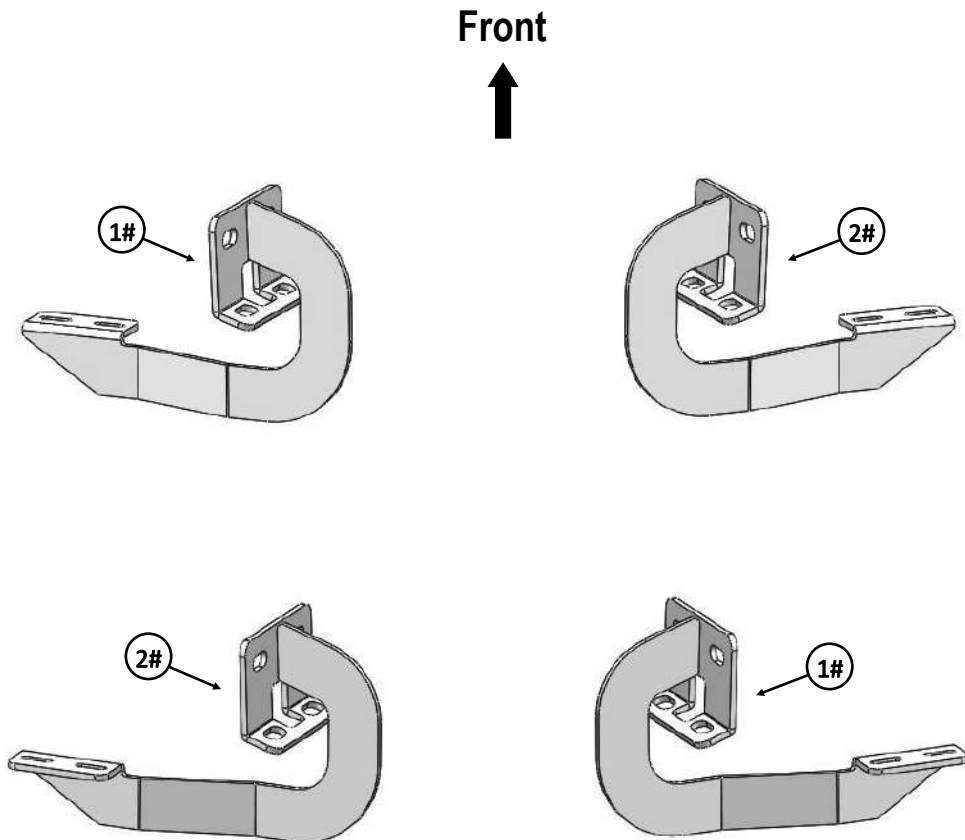
READ INSTRUCTIONS CAREFULLY BEFORE STARTING INSTALLATION. REMOVE CONTENTS FROM BOX AND VERIFY ALL PARTS ARE PRESENT. ASSISTANCE IS RECOMMENDED.

\*ROCKER PANEL MOUNT  
\*NO DRILLING REQUIRED

Fastener Size	Tightening Torque (ft-lbs)	Required
6mm	6-7	√
8mm	16-18	√
10mm	31-32	X
12mm	56-58	X
14mm	92-94	X



Driver Side Step Bar



Passenger Side Step Bar

# iBoard®

Mounting Bracket List					
Item	QTY	Description	Item	QTY	Description
1#	2	Driver Front / Passenger Rear Mounting Brackets	2#	2	Passenger Front / Driver Rear Mounting Brackets

Hardware Package A (For Bracket Installation)					
Item	QTY	Description	Item	QTY	Description
1#	8	M8X1.25-30mm Hex Bolts	5#	16	M8 Lock Washers
2#	8	M8X1.25-25mm Hex Bolts	6#	8	M8 Hex Nuts
3#	16	M8 Flat Washers	7#	8	M8 Clip Nuts
4#	8	M8 Large Flat Washers			

Hardware Package B (For Aluminum Step Bar Installation Only, Not Supply to SS. Step Bar)					
Item	QTY	Description	Item	QTY	Description
1#	8	M6X1-20mm Square Head Bolts	3#	8	M6 Nylon Lock Nuts
2#	8	M6 Large Flat Washers			

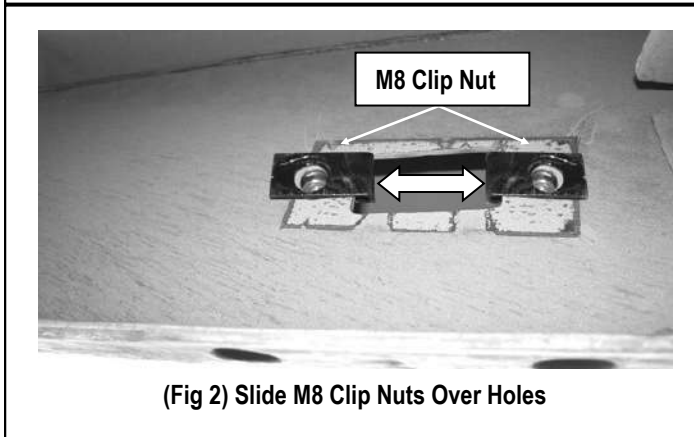
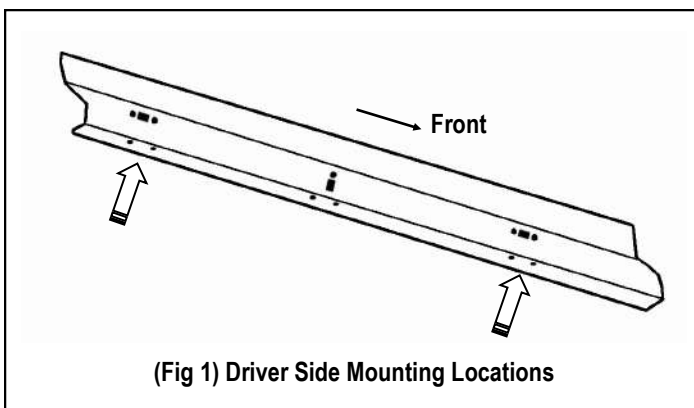
Hardware Package C (For Stainless Steel Step Bar Installation Only, Not Supply to Aluminum Step Bar)					
Item	QTY	Description	Item	QTY	Description
1#	8	M6X1-20mm Hex Bolts	3#	8	M6 Flat Washers
2#	8	M6 Lock Washers			

# iBoard®

## STEP 1

Starting on the driver side front of the vehicle, locate the (2) holes on pinch weld, (Fig 1). Next locate the rectangular opening and (2) small holes on the inner side of the body panel directly above the holes on the pinch weld, (Fig 1 & 2).

**NOTE:** The holes on the inner of the body panel may be covered with sealing tape or insulation.

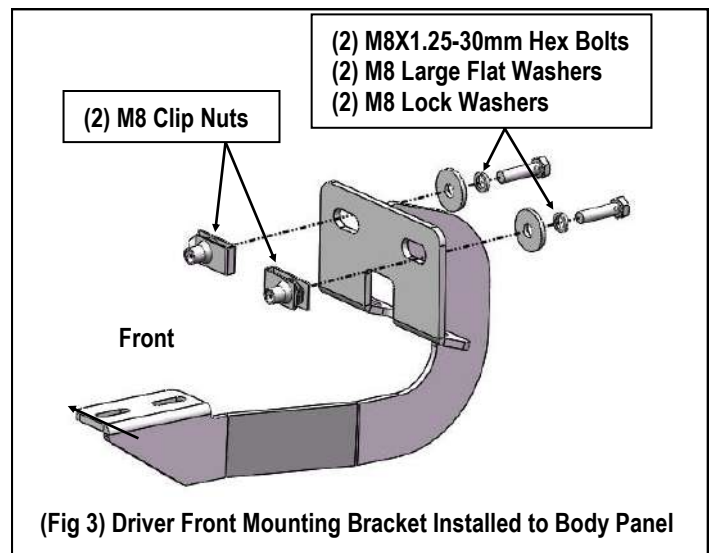


## STEP 2

Slide (1) M8 Clip Nut into the rectangular opening with the nut towards the inside. Line up the threaded nut on the clip with the round hole, (Fig 2). Repeat to install another M8 Clip Nut in remaining round hole.

## STEP 3

Select (1) Driver Front Mounting Bracket. Attach the Bracket to the installed (2) M8 Clip Nuts with the included (2) M8x1.25-30mm Hex Bolts, (2) M8 Lock Washers and (2) M8 Large Flat Washers, (Fig 3). Do not fully tighten hardware at this time.



## STEP 4

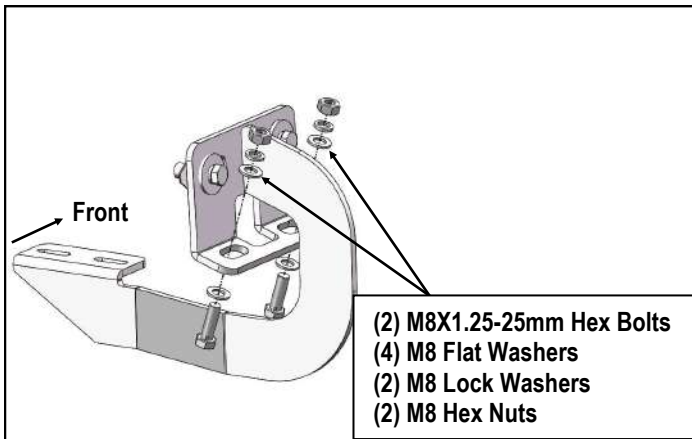
Align the lower holes on the Mounting Bracket with the (2) holes on the pinch weld. Attach the Mounting Bracket to the pinch weld with (2) M8x1.25-25mm Hex Bolts, (4) M8 Flat Washers, (2) M8 Lock Washers and (2) M8 Hex Nuts, (Fig 4 & 5). Do not fully tighten hardware at this time.

**NOTE:** Insert the bolt up from the bottom of the pinch weld and through the Bracket.

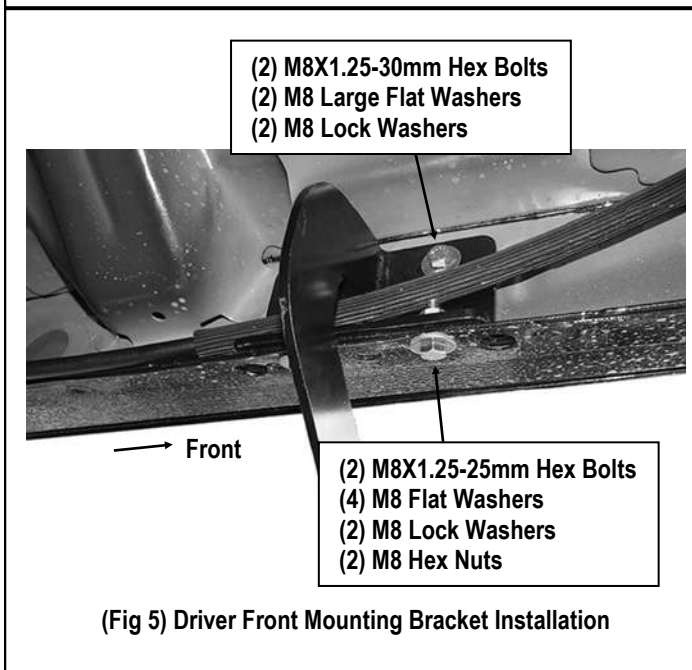
## STEP 5

Move to Driver Side Rear Mounting Location. Repeat **Steps 1-4** for Driver Rear Mounting Bracket installation. Do not fully tighten hardware at this time.

# iBoard®



(Fig 4) Driver Front Mounting Bracket Installed to Pinch Weld



(Fig 5) Driver Front Mounting Bracket Installation

## STEP 6

Once all (2) mounting brackets are installed, then proceed to the Step Bar installation. According to the style of Step Bar proceed to the correct installation STEPS.

**Note:** Aluminum Step Bar refer to STEP 7; Stainless Steel Step Bar skip to STEP 8.

## STEP 7

### Aluminum Step Bar Installation:

Select a **Aluminum Step Bar**. Slip (2) M6x1-20mm Square Head Bolts into each bottom channel (**Fig 6**). Carefully position the Step Bar onto the (2) Mounting Brackets.

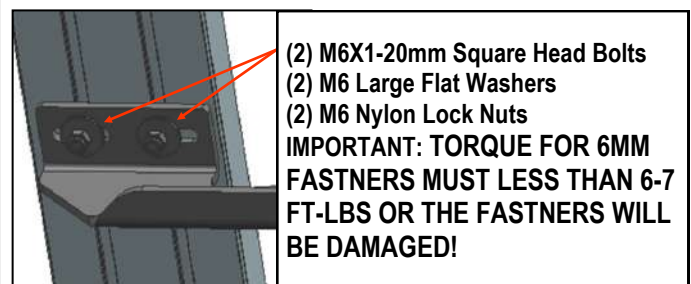
**IMPORTANT:** Do not slide the Step Bar on the Brackets or the bottom surface of the board will be damaged. Attach the Step Bar to each Mounting Brackets with (2) M6x1-20mm Square Head Bolts, (2) M6 Large Flat Washers and (2) M6 Nylon Lock Nuts, (**Fig 7**). Do not fully tighten at this time.

Level and adjust the Step Bar and fully tighten all hardware.

Repeat **Steps 1-7** for the other side Step Bar installation. **The installation is completed!!!**



(Fig 6) Slip M6X1-20mm Square Head Bolts Into The Bottom Channels



(Fig 7) Step Bar Installed Onto Mounting Bracket

# iBoard®

## STEP 8

### **Stainless Steel Step Bar Installation:**

Select a **Stainless Steel Step Bar** (with the U-Sliders installed on the Bar). Loose the U-Sliders, reposition the U-Sliders onto the board according to the (2) Installed Mounting Brackets location, **(Fig 8)**. Re-secure the U-Sliders on the Step Bar. Attach the Step Bar to the installed Mounting Brackets with (4) M6X1-20mm Hex Bolts, (4) M6 Large Flat Washers & (4) M6 Lock Washers, **(Fig 9)**. Do not fully tighten hardware at this time.

Level and adjust the Step Bar and fully tighten all hardware.

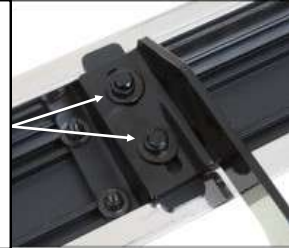
Repeat **Steps 1-6 and 8** for the other side Step Bar installation.  
**The installation is completed!!!**



**(Fig 8)** Slide & line up the U-Slider with the installed mounting brackets along bottom channel

- (2) M6X1-20mm Hex Bolts
- (2) M6 Large Flat Washers
- (2) M6 Lock Washers

**IMPORTANT: TORQUE FOR 6MM FASTNERS MUST LESS THAN 6-7 FT-LBS OR THE FASTNERS WILL BE DAMAGED!**



**(Fig 9)** Step Bar Installed on Bracket Installed

### **Attention**

Do periodic inspections to the installation to make sure that all hardware is secure and tight.

In order to protect your bars/boards, please use only mild soap/non-abrasive products for cleaning.