

# iBoard®

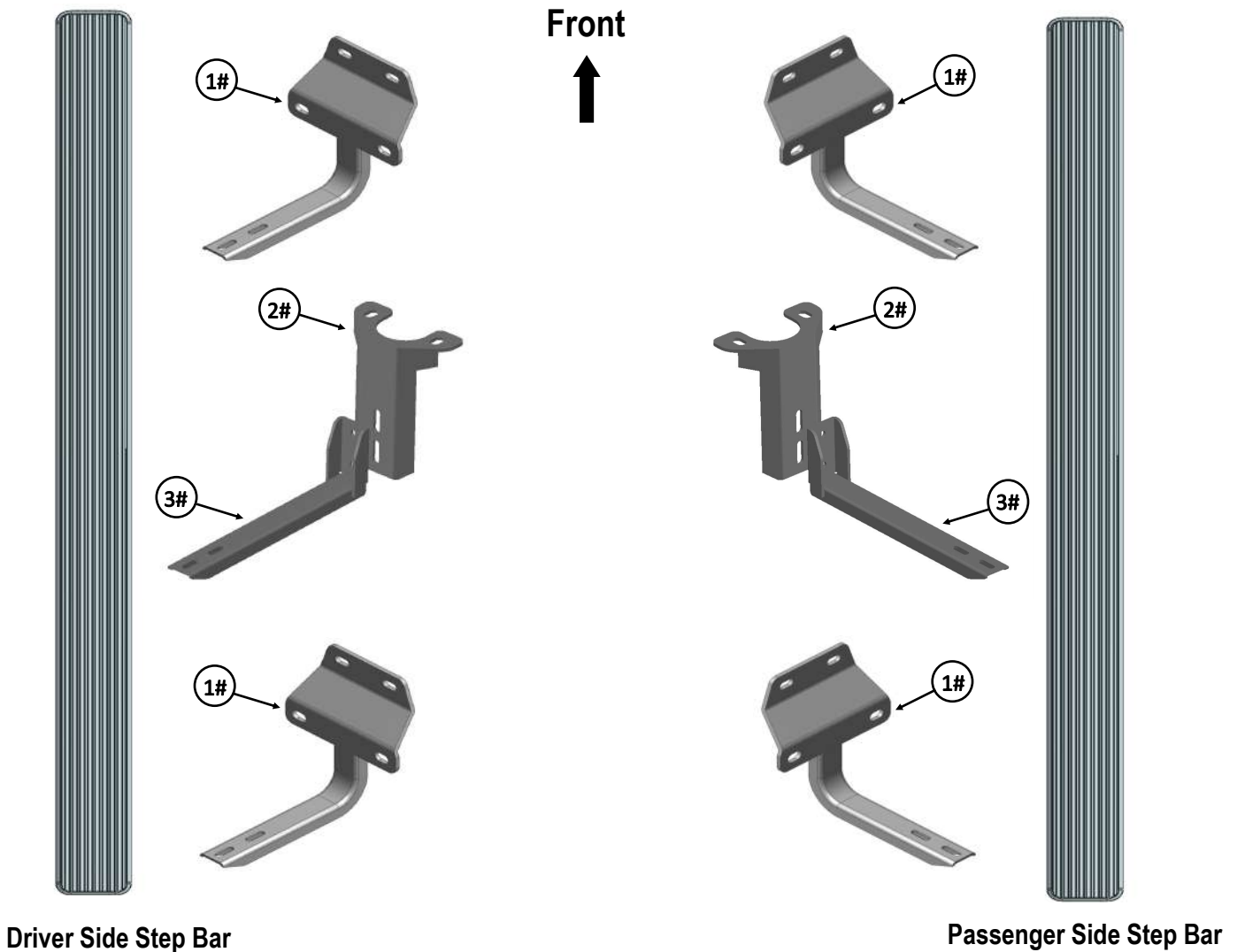
## iBoard® by APS

PART#: IB-188

READ INSTRUCTIONS CAREFULLY BEFORE STARTING INSTALLATION. REMOVE CONTENTS FROM BOX AND VERIFY ALL PARTS ARE PRESENT. ASSISTANCE IS RECOMMENDED.

\*ROCKER PANEL MOUNT  
\*NO DRILLING REQUIRED

| Fastener Size | Tightening Torque (ft-lbs) | Required |
|---------------|----------------------------|----------|
| 6mm           | 6-7                        | √        |
| 8mm           | 16-18                      | √        |
| 10mm          | 31-32                      | X        |
| 12mm          | 56-58                      | X        |
| 14mm          | 92-94                      | X        |



Driver Side Step Bar

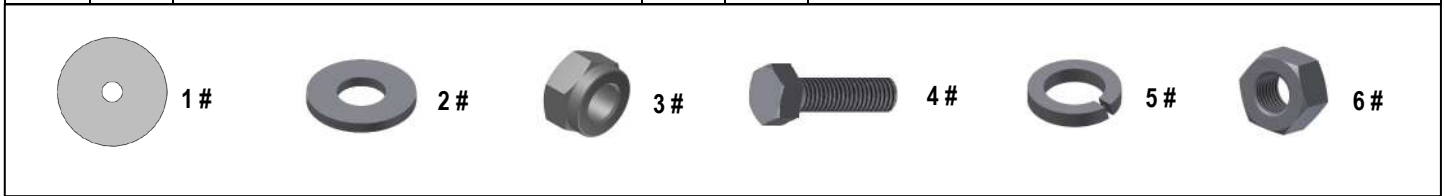
Passenger Side Step Bar

Customer Support: [info@iboardauto.com](mailto:info@iboardauto.com)

# iBoard®

| Mounting Bracket List |     |   |      |     |                                      |
|-----------------------|-----|---|------|-----|--------------------------------------|
| Item                  | QTY | Description                               | Item | QTY | Description                          |
| 1#                    | 4   | Mounting Brackets                         | 3#   | 2   | Driver/Passenger Center Bar Brackets |
| 2#                    | 2   | Driver/Passenger Center Mounting Brackets |      |     |                                      |

| Hardware Package A (For Bracket Installation) |     |                         |      |     |                        |
|---|-----|-------------------------|------|-----|------------------------|
| Item  | QTY | Description             | Item | QTY | Description            |
| 1#  | 12  | M8 Plastic Washers      | 4#   | 4   | M8X1.25-25mm Hex Bolts |
| 2#  | 20  | M8 Large Flat Washers   | 5#   | 4   | M8 Lock Washers        |
| 3#  | 12  | M8X1.25 Nylon Lock Nuts | 6#   | 4   | M8 Hex Nuts            |



| Hardware Package B (For Aluminum Step Bar Installation Only, Not Supply to SS. Step Bar) |     |                             |      |     |                      |
|--|-----|-----------------------------|------|-----|----------------------|
| Item   | QTY | Description                 | Item | QTY | Description          |
| 1#   | 12  | M6X1-20mm Square Head Bolts | 3#   | 12  | M6X1 Nylon Lock Nuts |
| 2#   | 12  | M6 Large Flat Washers       |      |     |                      |



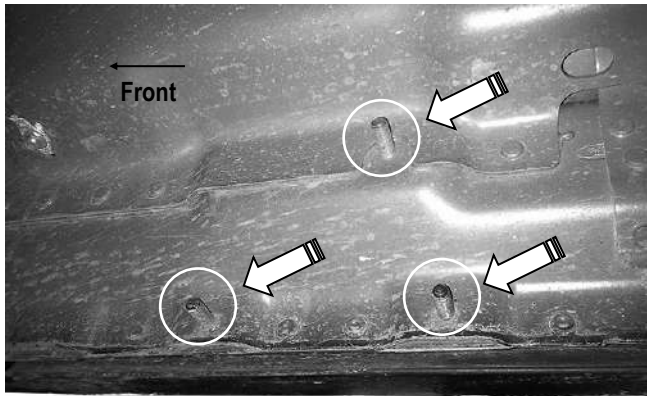
| Hardware Package C (For Stainless Steel Step Bar Installation Only, Not Supply to Aluminum Step Bar) |     |                     |      |     |                 |
|--|-----|---------------------|------|-----|-----------------|
| Item   | QTY | Description         | Item | QTY | Description     |
| 1#   | 12  | M6X1-20mm Hex Bolts | 3#   | 12  | M6 Flat Washers |
| 2#   | 12  | M6 Lock Washers     |      |     |                 |



# iBoard®

## STEP 1

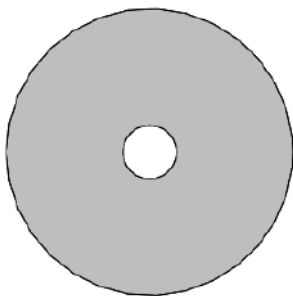
Start the installation under the passenger side of the vehicle. Locate the front factory running board mounting location along the inner side of the body, (Fig 1).



(Fig 1) Passenger Front Mounting Bracket Location

## STEP 2

Slide (1) M8 Plastic Washer over each factory mounting stud in the body panel, (Fig 2 & 3). **IMPORTANT:** The Plastic Washers are designed to prevent corrosion between the aluminum body panel and the steel mounting brackets. **Do not install the Brackets without the Plastic Washers.**



(Fig 2) M8 Plastic Washer

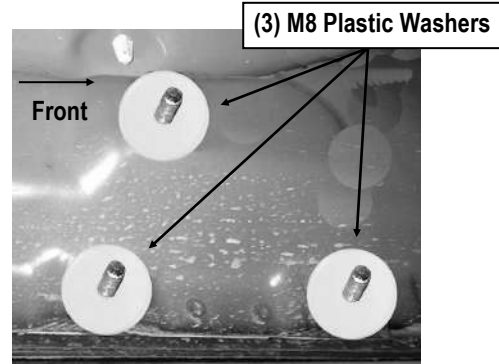
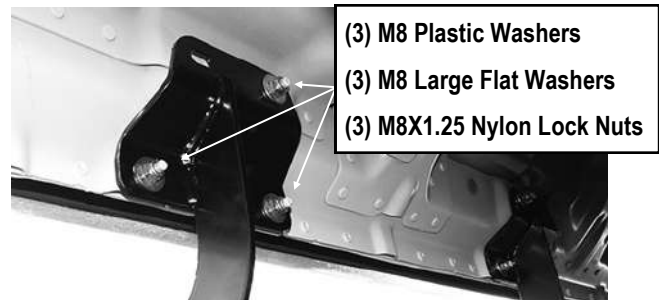


Fig 3) Thread Plastic Washers Onto 3 Mounting Studs. Passenger Side Front Mounting Location Pictured

## STEP 3

Select Passenger Front Mounting Bracket. **Note:** All (4) Front and Rear Mounting Brackets are universal.

Attach the Mounting Bracket to the (3) factory studs with (3) M8 Large Flat Washers and (3) M8X1.25 Nylon Lock Nuts, (Fig 4). Snug but do not fully tighten the hardware.



(Fig 4) Passenger Front Mounting Bracket Installed

## STEP 4

Repeat Steps 1—3 to install the Passenger Rear Mounting Bracket.

# iBoard®

## STEP 5

Move to the center body mounting location, (Fig 5). Assemble the **Passenger Center Bar Bracket** and **Passenger Center Mounting Bracket** using (2) M8X1.25-25mm Hex Bolts, (2) M8 Lock Washers, (4) M8 Large Flat Washers and (2) M8 Hex Nuts (Fig 6). **Note: Center Mounting Brackets and Bar Brackets are universal.**

Remove the (2) factory hex flange nuts on the bottom of the mount. Attach the Passenger Center Mounting Bracket onto the body mounting location reuse the factory hex nuts (Fig 7).



(Fig 5) Passenger Center Bracket Location

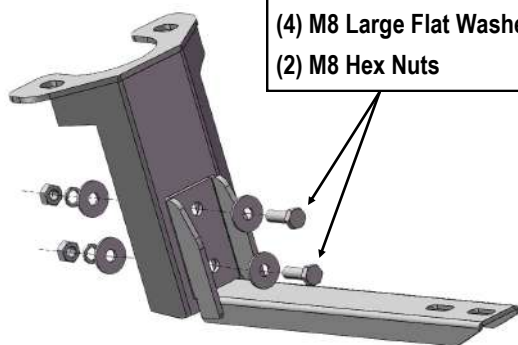
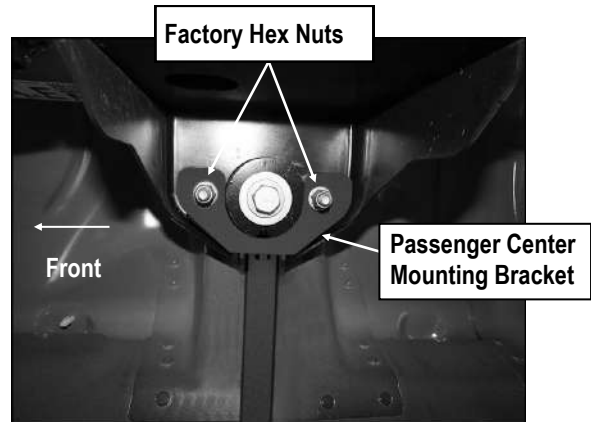


Fig 6



(Fig 7) Reuse Factory Hex Nuts To Attach Passenger Center Mounting Bracket To Underside Of Center Body Mounting Location

## STEP 6

Once all (3) mounting brackets are installed, then proceed to the Step Bar installation. According to the style of Step Bar proceed to the correct installation STEPS.

**Note: Aluminum Step Bar refer to 7; Stainless Steel Step Bar skip to STEP 8.**

## STEP 7

### Aluminum Step Bar Installation:

Select a **Aluminum Step Bar**. Slip (3) M6x1-20mm Square Head Bolts into each bottom channel (Fig 8). Carefully position the Step Bar onto the (3) Mounting Brackets.

**IMPORTANT:** Do not slide the Step Bar on the Brackets or the bottom surface of the board will be damaged. Attach the Step Bar to each Mounting Brackets with (2) M6x1-20mm Square Head Bolts, (2) M6 Large Flat Washers and (2) M6X1 Nylon Lock Nuts, (Fig 9). Do not fully tighten at this time.

Level and adjust the Step Bar and fully tighten all hardware.

Repeat **Steps 1-7** for the other side Step Bar installation. **The installation is completed!!!**

# iBoard®

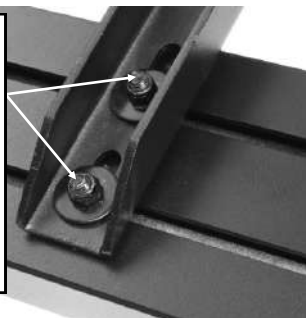


(Fig 8) Slip M6X1-20mm Square Head Bolts Into The Bottom Channels



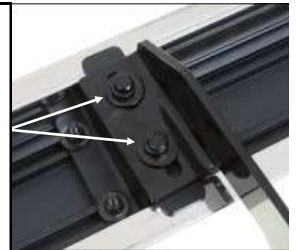
(Fig 10) Slide & line up the U-Slider with the installed mounting brackets along bottom channel

(2) M6X1-20mm Square Head Bolts  
(2) M6 Large Flat Washers  
(2) M6X1 Nylon Lock Nuts  
**IMPORTANT: TORQUE FOR 6MM FASTNERS MUST LESS THAN 6-7 FT-LBS OR THE FASTNERS WILL BE DAMAGED!**



(Fig 9) Running Board Installed Onto Mounting Bracket

(2) M6X1-20mm Hex Bolts  
(2) M6 Large Flat Washers  
(2) M6 Lock Washers  
**IMPORTANT: TORQUE FOR 6MM FASTNERS MUST LESS THAN 6-7 FT-LBS OR THE FASTNERS WILL BE DAMAGED!**



(Fig 11) Step Bar Installed on Bracket Installed (Example)

## STEP 8

### Stainless Steel Step Bar Installation:

Select a **Stainless Steel Step Bar** (with the U-Sliders installed on the Bar). Loose the U-Sliders, reposition the U-Sliders onto the board according to the (3) Installed Mounting Brackets location, (Fig 10). Re-secure the U-Sliders on the Step Bar. Attach the Step Bar to the installed Mounting Brackets with (6) M6X1-20mm Hex Bolts, (6) M6 Large Flat Washers & (6) M6 Lock Washers, (Fig 11). Do not fully tighten hardware at this time.

Level and adjust the Step Bar and fully tighten all hardware. Repeat **Steps 1-6 and 8** for the other side Step Bar installation. **The installation is completed!!!**

### Attention

Do periodic inspections to the installation to make sure that all hardware is secure and tight. In order to protect your bars/boards, please use only mild soap/non-abrasive products for cleaning.