

iBoard®

iBoard® by APS

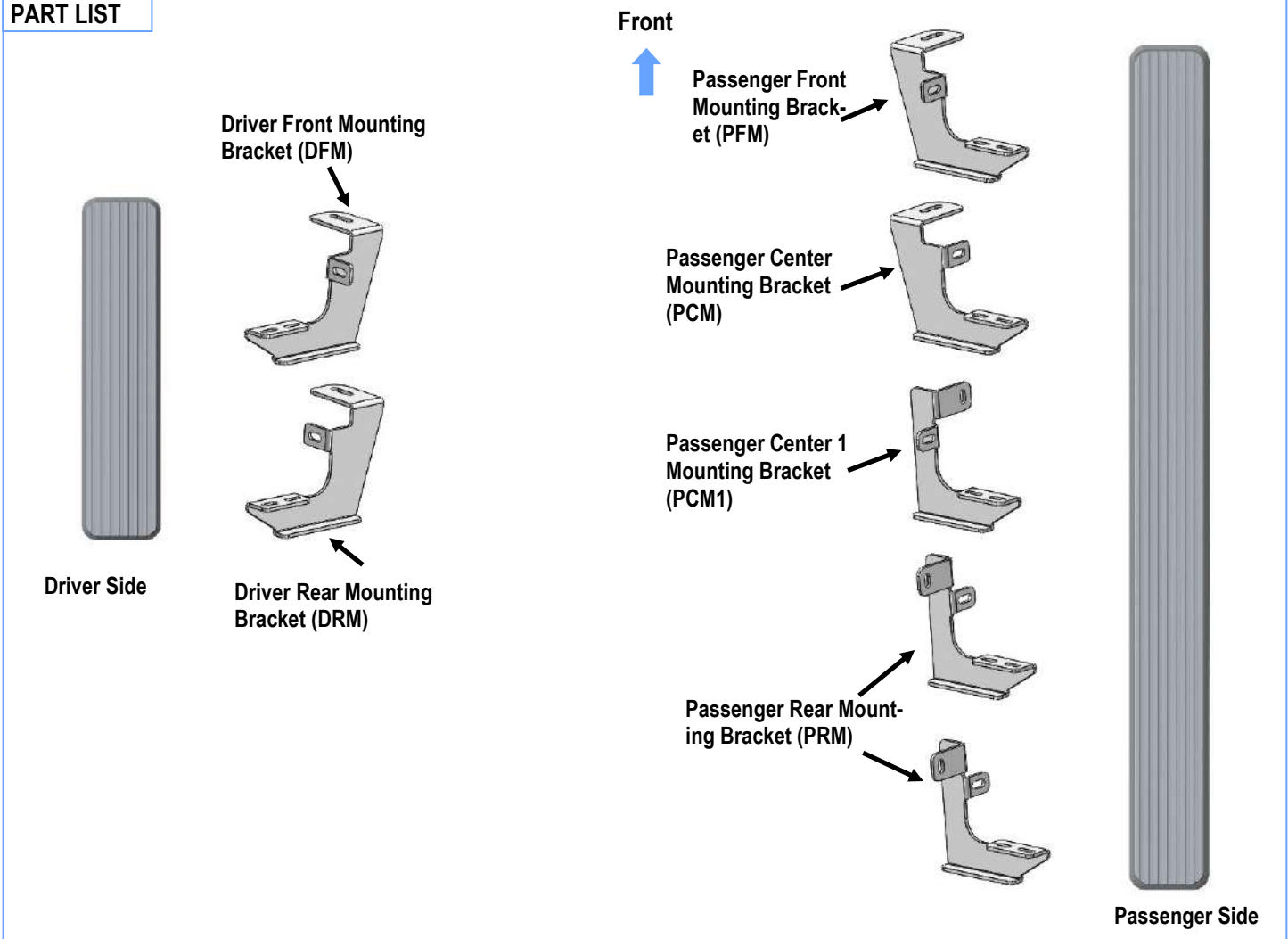
PART#: IB-404

READ INSTRUCTIONS CAREFULLY BEFORE STARTING INSTALLATION. REMOVE CONTENTS FROM BOX AND VERIFY ALL PARTS ARE PRESENT. ASSISTANCE IS RECOMMENDED.

*ROCKER PANEL MOUNT
*DRILLING IS REQUIRED

Fastener Size	Tightening Torque (ft-lbs)	Required
6mm	6-7	√
8mm	16-18	√
10mm	31-32	√
12mm	56-58	X
14mm	92-94	X

PART LIST



Customer Support: info@iboardauto.com

iBoard®

Hardware Package A (For Bracket Installation)



Hardware Package B (For Aluminum Step Bar Installation Only, Not Supply to Stainless Steel Step Bar)

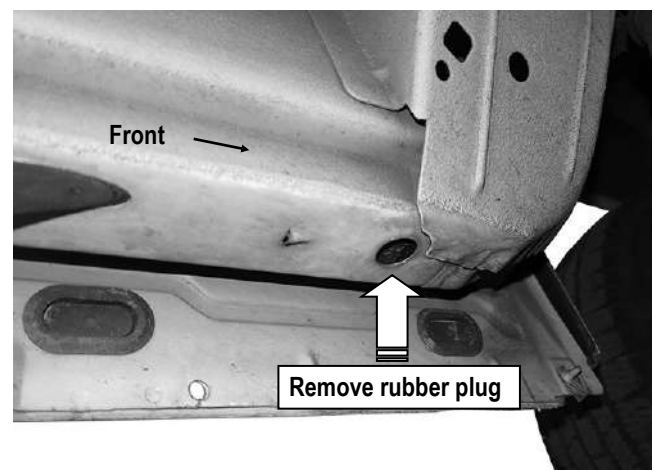


Hardware Package C (For Stainless Steel Step Bar Installation Only, Not Supply to Aluminum Step Bar)



STEP 1

Starting installation from the driver side front of the vehicle. Locate and remove the rubber plug near the front tire opening, (Fig 1). Select (1) M10X35 Bolt Plate, (Fig 2). Insert the Bolt Plate into and across the opening, (Fig 3).



(Fig 1) Driver Side Front Mounting Location

iBoard®

STEP 2

Select the Driver Front Mounting Bracket (**DFM**). Attach the Bracket to the M10X35 Bolt Plate with (1) M10 Flat Washer, (1) M10 Lock Washer and (1) M10 Hex Nut, (**Fig 4**). Do not fully tighten hardware at this time.

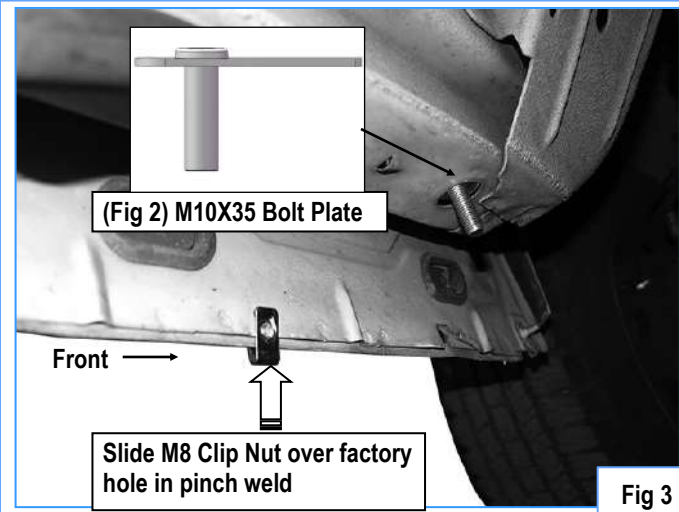


Fig 3

STEP 3

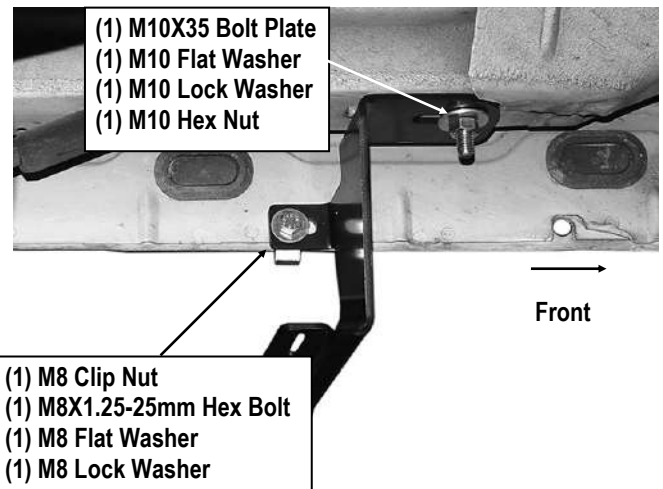
Line up the mounting tab on the Bracket with the factory hole in the pinch weld. Slide (1) M8 Clip Nut over the hole in the pinch weld with the nut toward the outside of the vehicle, (**Fig 3**).

IMPORTANT: On some model/years, 5/16" holes will need to be drilled through the pinch weld to attach the tab on the Mounting Bracket to the pinch weld.

- Line up the tab on the Bracket with a flat area on the back of the pinch weld.
- Fully tighten the M10 Hex Nut on the M10X35 Bolt Plate. Use the tab on the Bracket for a guide and drill a 5/16" hole through the tab and the pinch weld. **IMPORTANT!** Any cutting or drilling tool may break or shatter. Government regulations require safety glasses & equipment at all times when cutting or drilling.
- Slide (1) M8 Clip Nut over the hole in the pinch weld with the nut toward the outside.

STEP 4

Attach the mounting tab on the Bracket to the M8 Clip Nut with (1) M8X1.25-25mm Hex Bolt, (1) M8 Lock Washer and (1) M8 Flat Washer, (**Fig 4**). Do not fully tighten the hardware.



(Fig 4) Driver Front Mounting Bracket (DFM) Installation

STEP 5

Move to the driver side rear of the vehicle, (**Fig 6**). Locate and remove the large oval rubber plug. Insert (1) M10X40 Bolt Plate into the opening, (**Figs 5 & 6**).

Attach the Driver Rear Mounting Bracket (**DRM**) to the M10X40 Bolt Plate with (1) M10 Flat Washer, (1) M10 Lock Washer and (1) M10 Hex Nut, (**Fig 7**). Repeat **Steps 3 & 4** to attach the mounting tab on the Bracket to the back of the pinch weld (**Fig 7**).

iBoard®

STEP 7

Aluminum Step Bar Installation:

Select a **Aluminum Step Bar**. Slip (2) M6x1-20mm Square Head Bolts into each bottom channel (**Fig 8**). Carefully position the Step Bar onto the (2) Mounting Brackets.

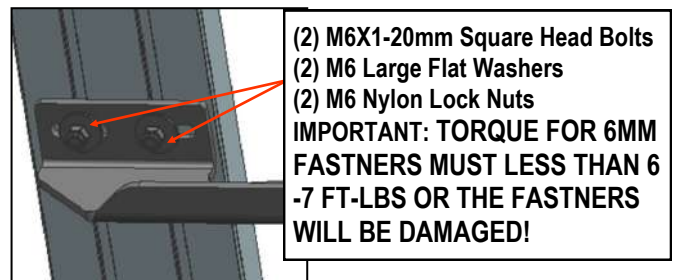
IMPORTANT: Do not slide the Step Bar on the Brackets or the bottom surface of the board will be damaged. Attach the Step Bar to each Mounting Brackets with (2) M6x1-20mm Square Head Bolts, (2) M6 Large Flat Washers and (2) M6 Nylon Lock Nuts, (**Fig 9**). Do not fully tighten at this time.

Level and adjust the Step Bar and fully tighten all hardware.

Repeat **Steps 1-7** for the other side Step Bar installation.

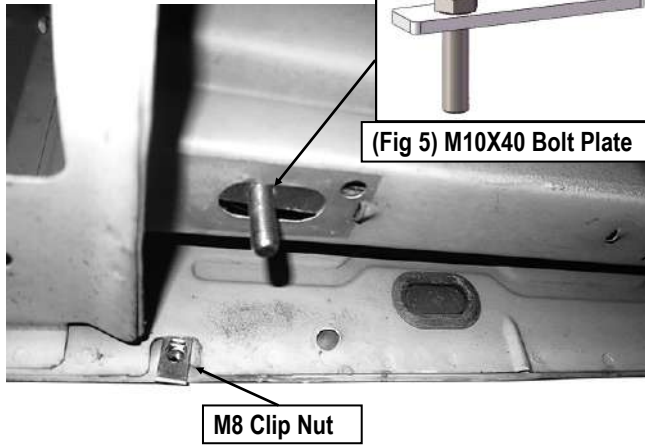


(Fig 8) Slip M6X1-20mm Square Head Bolts Into The Bottom Channels



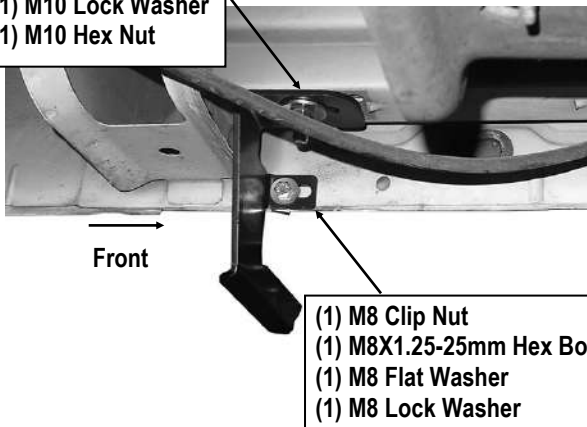
(Fig 9) Running Board Installed Onto Mounting Bracket

(2) M6X1-20mm Square Head Bolts
 (2) M6 Large Flat Washers
 (2) M6 Nylon Lock Nuts
IMPORTANT: TORQUE FOR 6MM FASTNERS MUST LESS THAN 6-7 FT-LBS OR THE FASTNERS WILL BE DAMAGED!



(Fig 6) Driver Side Rear Mounting Location

- (1) M10X40 Bolt Plate
- (1) M10 Flat Washer
- (1) M10 Lock Washer
- (1) M10 Hex Nut



(Fig 7) Driver Rear Mounting Bracket (DRM) Installation

- (1) M8 Clip Nut
- (1) M8X1.25-25mm Hex Bolt
- (1) M8 Flat Washer
- (1) M8 Lock Washer

STEP 6

Once all (2) mounting brackets are installed, then proceed to the Step Bar installation. According to the style of Step Bar proceed to the correct installation STEPS.

Note: Aluminum Step Bar refer to STEP 7; Stainless Steel Step Bar skip to STEP 8.

iBoard®

STEP 8

Stainless Steel Step Bar Installation:

Select a **Stainless Steel Step Bar** (with the U-Sliders installed on the Bar). Loosen the U-Sliders, reposition the U-Sliders onto the board according to the (2) Installed Mounting Brackets location, **(Fig 10)**. Re-secure the U-Sliders on the Step Bar. Attach the Step Bar to the installed Mounting Brackets with (4) M6X1-20mm Hex Bolts, (4) M6 Large Flat Washers & (4) M6 Lock Washers, **(Fig 11)**. Do not fully tighten hardware at this time.

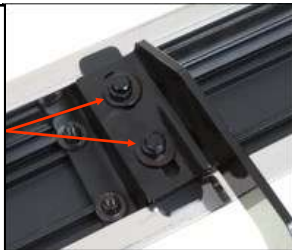
Level and adjust the Step Bar and fully tighten all hardware.

Repeat **Steps 1-6 and 8** for the other side Step Bar installation.



(Fig 10) Slide & line up the U-Slider with the installed mounting brackets along bottom channel

(2) M6X1-20mm Hex Bolts
(2) M6 Large Flat Washers
(2) M6 Lock Washers
IMPORTANT: TORQUE FOR 6MM FASTNERS MUST LESS THAN 6-7 FT-LBS OR THE FASTNERS WILL BE DAMAGED!

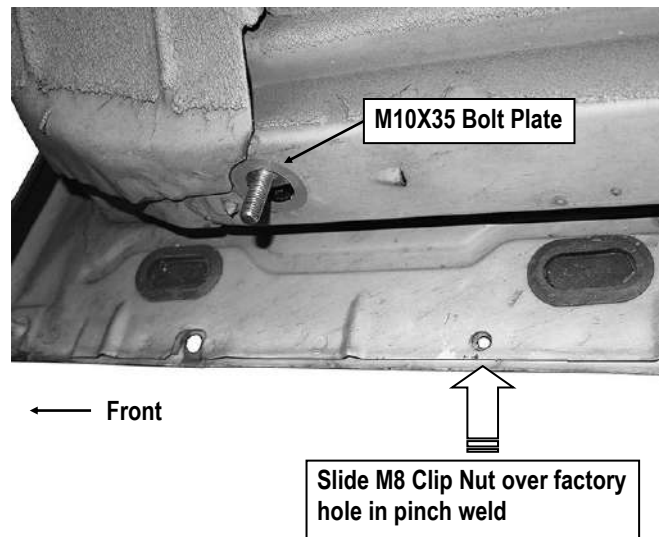


(Fig 11) Step Bar Installed on Bracket Installed (Example)

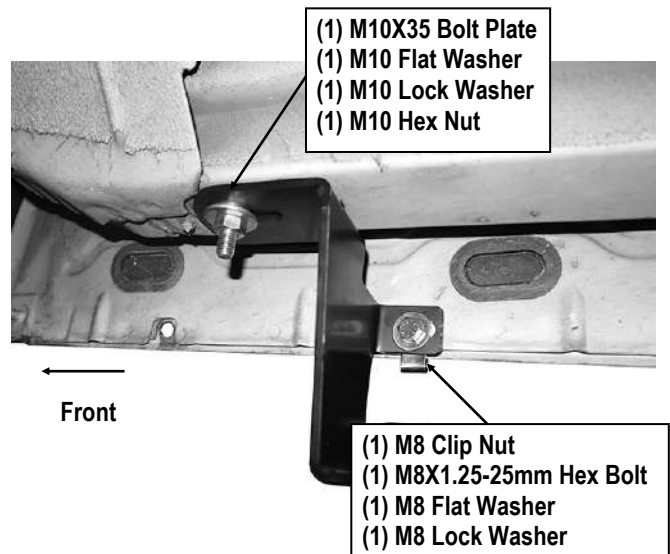
STEP 9

Move to the passenger side of the vehicle.

Start installation from the passenger side front of the vehicle, **(Fig 12)**. Repeat **Steps 1—4** to install the Passenger Front Mounting Bracket **(PFM)**, **(Fig 13)**. Do not fully tighten hardware at this time.



(Fig 12) Passenger Front Mounting Bracket (PFM) Locations

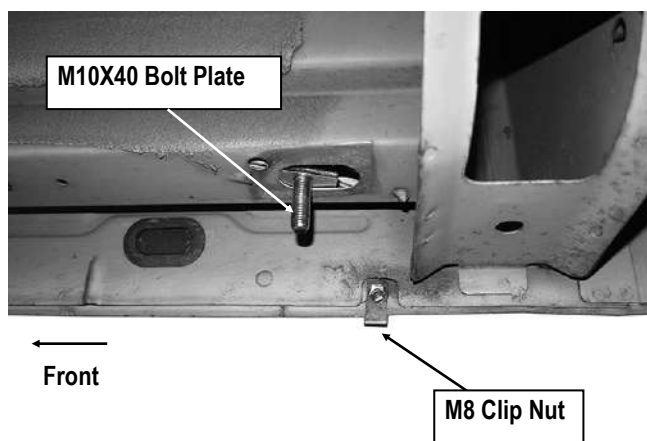


(Fig 13) Passenger Front Mounting Bracket (PFM) Installation

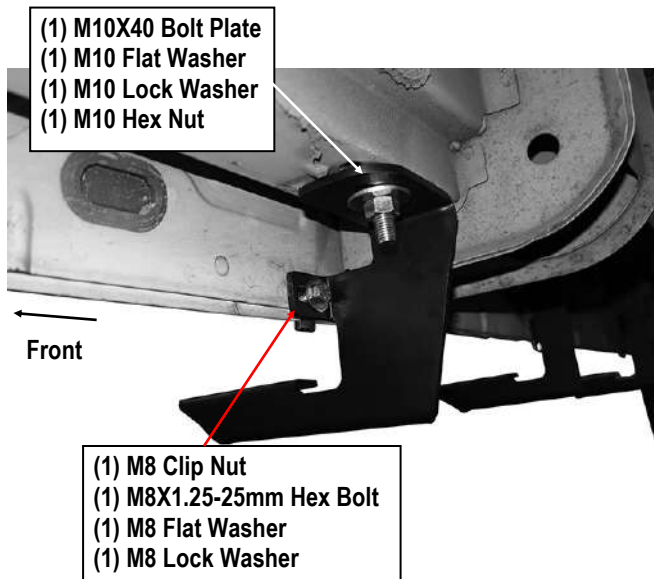
iBoard®

STEP 10

Continue along the body to the 2nd Mounting Bracket location, (Fig 14). Repeat **Step 5** to install the Passenger Center Mounting Bracket (PCM), (Figs 14 & 15). Do not fully tighten hardware at this time.



(Fig 14) Passenger Center Mounting Bracket (PCM) Location



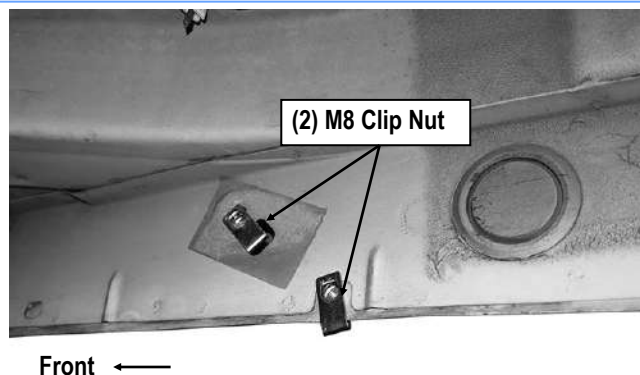
(Fig 15) Passenger Center Mounting Bracket (PCM) Installation

STEP 11

Move along the body to the 3rd Bracket location below the side door, (Fig 16). Determine the correct procedure for your year/model for the remaining (3) passenger side Brackets:

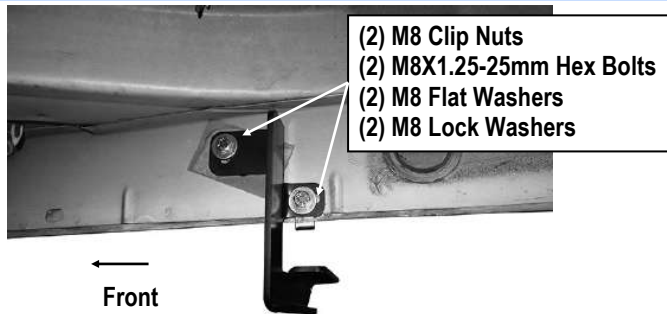
Models with factory holes in pinch weld and inner body panel:

- Locate the factory hole in the pinch weld. Also locate the square hole and small round hole in the inner body panel near and above the hole in the pinch weld, (Fig 16). **NOTE:** Hold the appropriate Mounting Bracket up in each location to help determine the correct holes to use.
- Slide (1) M8 Clip Nut into the square hole and in line with the smaller round hole. Next, slide (1) M8 Clip Nut over the hole through the pinch weld as described in **Step 3**, (Fig 16).
- Select the Passenger Center 1 Mounting Bracket (PCM1). Attach the Bracket to the (2) M8 Clip Nuts with (2) M8X1.25-25mm Hex Bolts, (2) M8 Lock Washers and (2) M8 Flat Washers, (Fig 17). Do not fully tighten hardware at this time.
- Move to 4th and 5th mounting bracket locations. Repeat **Steps a—c** to install the Passenger Rear Mounting Brackets (PRM), (Figs 18-20). **Note:** 4th location and 5th location all use Passenger Rear Mounting Bracket (PRM).
- Skip to **Step 12**.

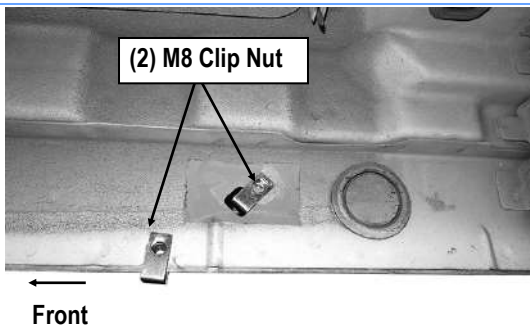


(Fig 16) Passenger 3rd Mounting Bracket Location

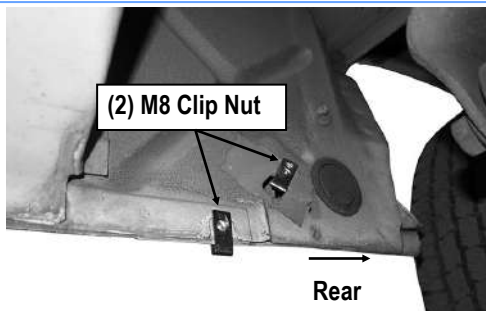
iBoard®



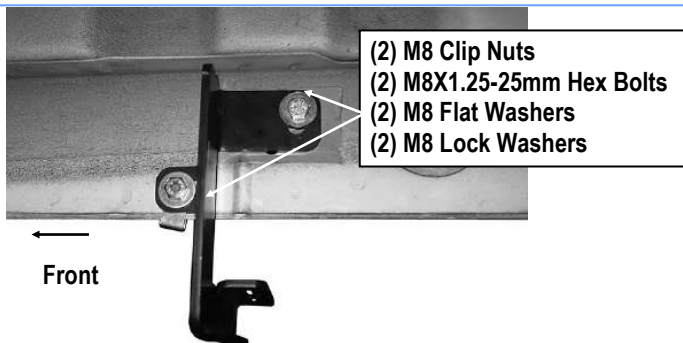
(Fig 17) Passenger Center 1 Mounting Bracket (PCM1) Installation



(Fig 18) Passenger 4th Mounting Bracket Location



(Fig 19) Passenger 5th Mounting Bracket Location

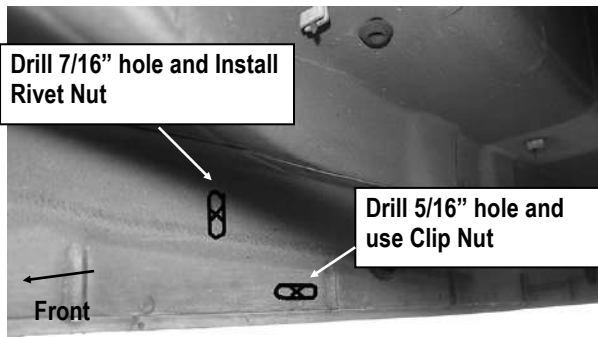


(Fig 20) Passenger 4th & 5th Mounting Bracket Installation

Models without factory holes in the pinch weld and/or inner body panel:

- Repeat **Step 9** to attach the Running Board to the front and 2nd Mounting Brackets.
- Use a stand or a jack to hold the Running Board up and level with the front (2) Brackets.
- Select the 3rd Passenger Center 1 Mounting Bracket (**PCM1**). With the Running Board level to the vehicle, hold the Bracket up in position against the back of the pinch weld and body panel. Mark the location of the slots in the Bracket onto the sheet metal, (**Fig 21**). **NOTE:** Use a clamp or locking pliers to temporarily attach the Bracket to the pinch weld.
- Drill a 7/16" hole in the center of the mark for the top mounting tab, (**Fig 21**). **IMPORTANT:** Make sure the Running Board is level to the vehicle before drilling any mounting holes.
- Select (1) M8 Insert Installation Tool, (1) M8X1.25-40mm Hex Bolt, (1) M8 Flat Washer and (1) M8 Rivet Nut. Assemble the Insert as pictured in **Fig 22**. **NOTE:** Select 8 mm hole on Insert Installation Tool (**Fig 23**).
- Firmly hold the handle and push the Rivet Nut into the hole. Use a small hammer to gently tap the insert into the hole if necessary. Once inserted, hold the handle with one hand and turn the M8 Hex Bolt, (tighten), with a wrench to expand the Rivet Nut in the body panel. Continue to tighten the M8 Hex Bolt until the Rivet Nut is fully compressed and close to flush with the surface. Remove bolt and tool from the Rivet Nut, (**Fig 24**). **WARNING:** Do not over tighten the hex bolt or the Rivet Nut may become damaged.
- Repeat **Step 3** to drill the 5/16" hole through the pinch weld as needed.
- Select the passenger side 3rd Mounting Bracket. Attach the Bracket to the M8 Rivet Nut and M8 Clip Nut with (2) M8X1.25-25mm Hex Bolts, (2) M8 Lock Washers and (2) M8 Flat Washers, (**Fig 25**). Do not fully tighten hardware at this time.
- Repeat **Steps a—h** to install the identical 4th and 5th Brackets, (**Figs 26-27**).

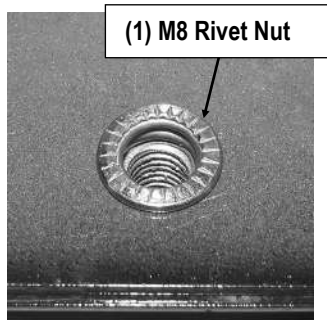
iBoard®



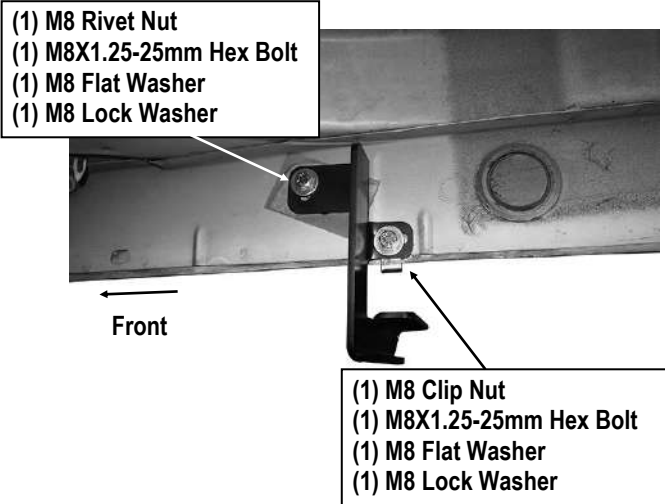
(Fig 21) Passenger 3rd Mounting Bracket Location



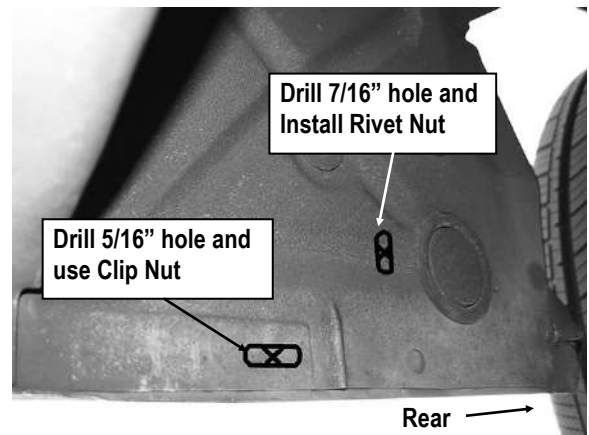
(Fig 22) Assemble Insert Tool As Pictured



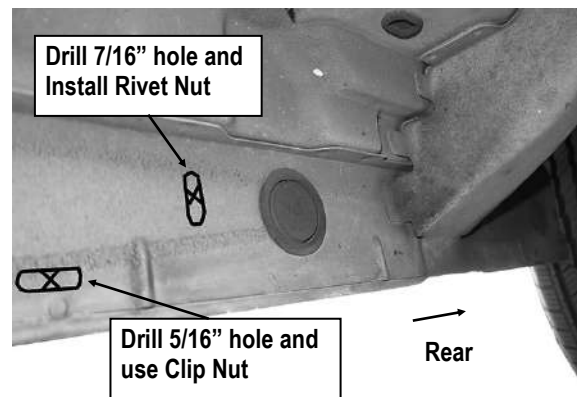
(Fig 24) Example Fully Installed Insert



(Fig 25) Passenger 3rd Mounting Bracket Installation



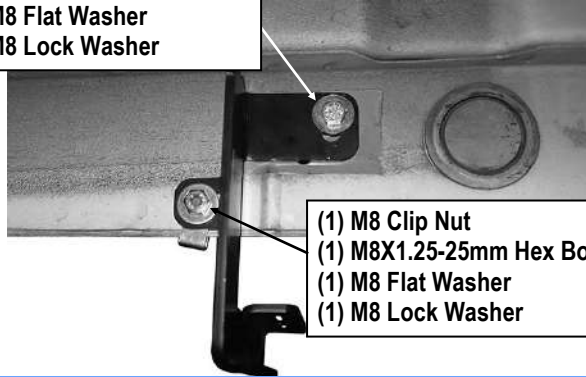
(Fig 26) Passenger 4th Mounting Bracket Location



(Fig 27) Passenger 5th Mounting Bracket Location

iBoard®

- (1) M8 Rivet Nut
- (1) M8X1.25-25mm Hex Bolt
- (1) M8 Flat Washer
- (1) M8 Lock Washer



- (1) M8 Clip Nut
- (1) M8X1.25-25mm Hex Bolt
- (1) M8 Flat Washer
- (1) M8 Lock Washer

(Fig 28) Passenger 4th & 5th Mounting Bracket Installation

STEP 12

Select the Passenger Side Running Board. **Repeat Step 6-8** to attach the Running Board to the Mounting Brackets.

STEP 13

Level and adjust the Running Board and fully tighten all hardware.

Installation completed.

Attention

Do periodic inspections to the installation to make sure that all hardware is secure and tight.

In order to protect your bars/boards, please use only mild soap/non-abrasive products for cleaning.