



## iBoard® by APS

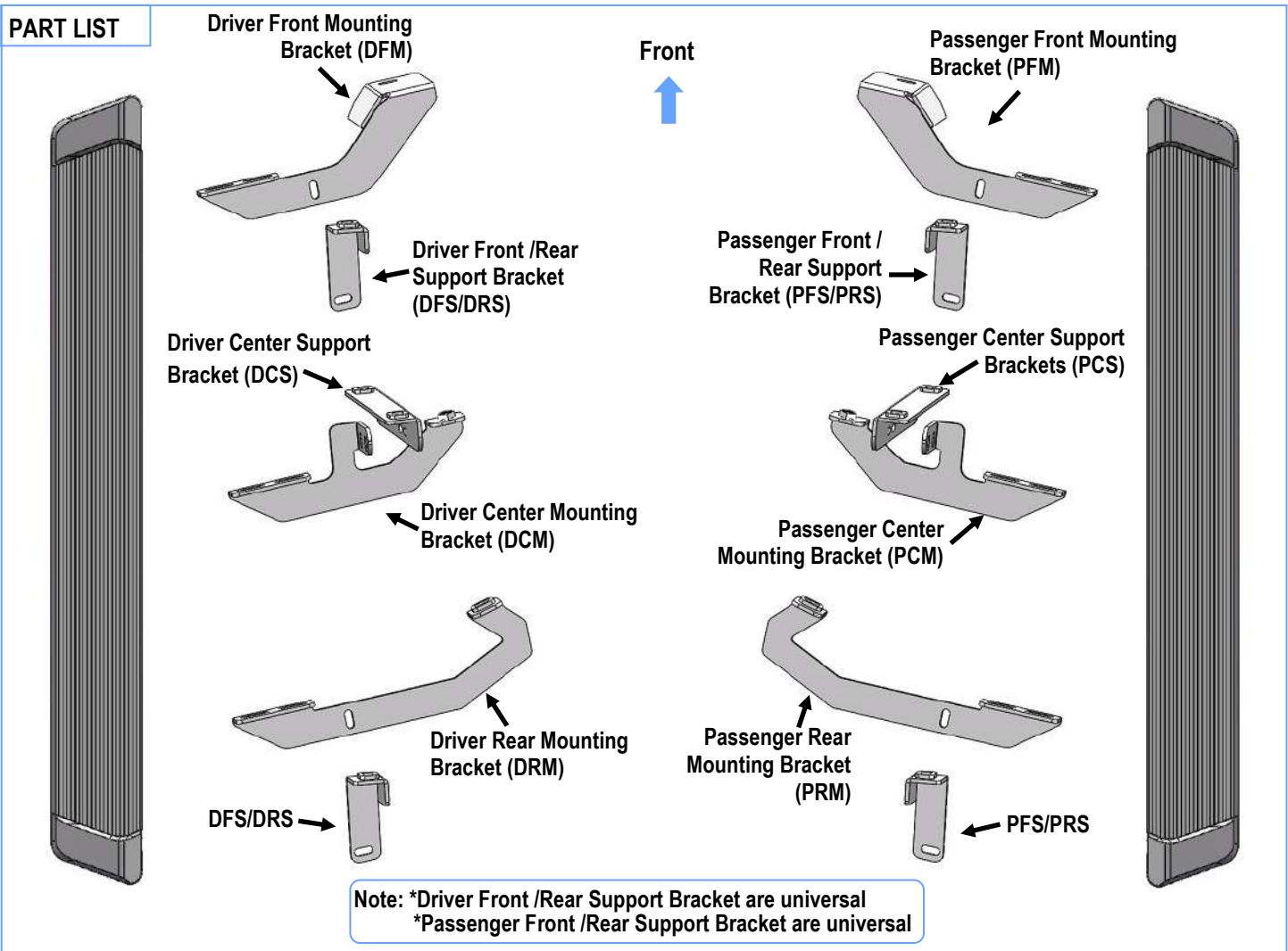
PART#: IB-R310

READ INSTRUCTIONS CAREFULLY BEFORE STARTING INSTALLATION. REMOVE CONTENTS FROM BOX AND VERIFY ALL PARTS ARE PRESENT. ASSISTANCE IS RECOMMENDED.

\*ROCKER PANEL MOUNT  
\*NO DRILLING REQUIRED

| Fastener Size | Tightening Torque (ft-lbs) | Required |
|---------------|----------------------------|----------|
| 6mm           | 6-7                        | √        |
| 8mm           | 16-18                      | √        |
| 10mm          | 31-32                      | √        |
| 12mm          | 56-58                      | X        |
| 14mm          | 92-94                      | X        |

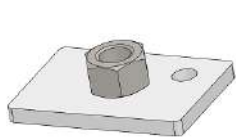
### PART LIST





## Hardware Package A (For Bracket Installation)

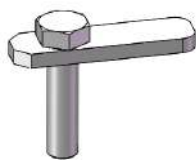
| Item | QTY | Description            | Item | QTY | Description            |
|------|-----|------------------------|------|-----|------------------------|
| 1#   | 2   | Support Plates         | 8#   | 14  | M10 Lock Washers       |
| 2#   | 2   | M10X35 Bolt Plates     | 9#   | 14  | M10X1.5 Hex Nuts       |
| 3#   | 2   | M10X40 Bolt Plates     | 10#  | 8   | M8X1.25-25mm Hex Bolts |
| 4#   | 4   | M10 Plastic Washers    | 11#  | 16  | M8 Large Flat Washers  |
| 5#   | 8   | M10 J-Bolts            | 12#  | 8   | M8 Lock Washers        |
| 6#   | 2   | M10X1.5-60mm Hex Bolts | 13#  | 8   | M8X1.25 Hex Nuts       |
| 7#   | 14  | M10 Large Flat Washers |      |     |                        |



1#



2#



3#



4#



5#



6#



7#



8#



9#



10#



11#



12#



13#

## Hardware Package B (For Step Bar Installation)

| Item | QTY | Description                 | Item | QTY | Description        |
|------|-----|-----------------------------|------|-----|--------------------|
| 1#   | 12  | M6X1-20mm Square Head Bolts | 3#   | 12  | M6 Nylon Lock Nuts |
| 2#   | 12  | M6 Large Flat Washers       |      |     |                    |



1#



2#



3#



## STEP 1

Start the installation from Driver Side Mounting Locations of the vehicle, remove the large plastic cover on the bottom of the floor panel, (**Fig 1**). Determine which plastic clips need to be removed. Carefully remove only the plastic clips for installation.

Remove plastic trim clips

Front

Remove factory pins and hardware

(Fig 1) Driver Side Front Mounting Location

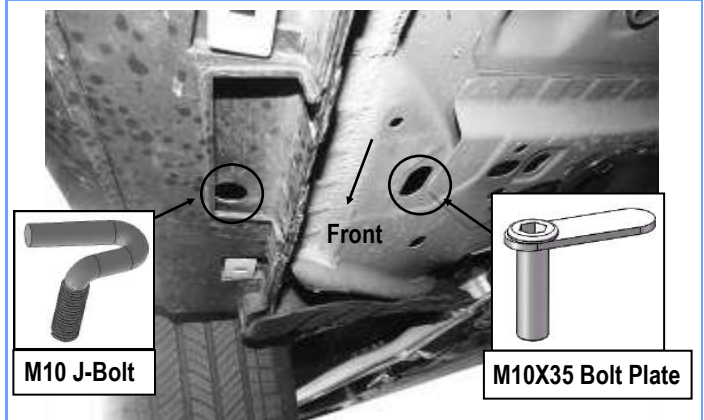
## STEP 2

Locate the Driver Side Front Mounting Location, (**Fig 2**). Insert (1) M10X35 Bolt Plate into the slot on the floor panel, (**Fig 2**). Thread (1) M10 Plastic Washer onto the Bolt Plate to hold it in place within the bracket installation. Select (1) M10 J-Bolt, insert the tail of J-Bolt all the way up into the round hole on the side panel. Rotate and pull the J-Bolt outwards, keep the thread pointing to the ground, (**Fig 3**).

**NOTE:** Scan the QR code or follow link for M10 J-Bolt installation video.



<https://youtu.be/BqQis3QjZnc>



(Fig 2) Driver Side Front Mounting Location

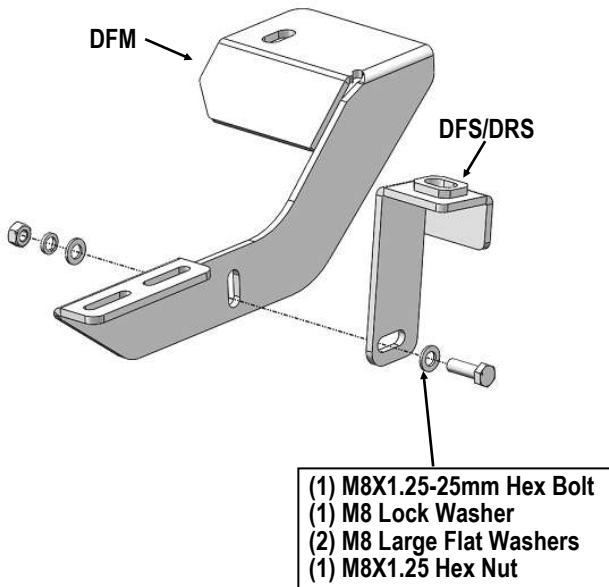


(Fig 3) M10 J-Bolt Installation  
(On Driver Side Mounting Location)



## STEP 3

Select the Driver Front Mounting Bracket (**DFM**) and the Driver Front Support Bracket (**DFS/DRS**), assemble with (1) M8X1.25-25mm Hex Bolt, (2) M8 Large Flat Washers, (1) M8 Lock Washer and (1) M8X1.25 Hex Nut, (**Fig 4**). Do not fully tighten at this time.



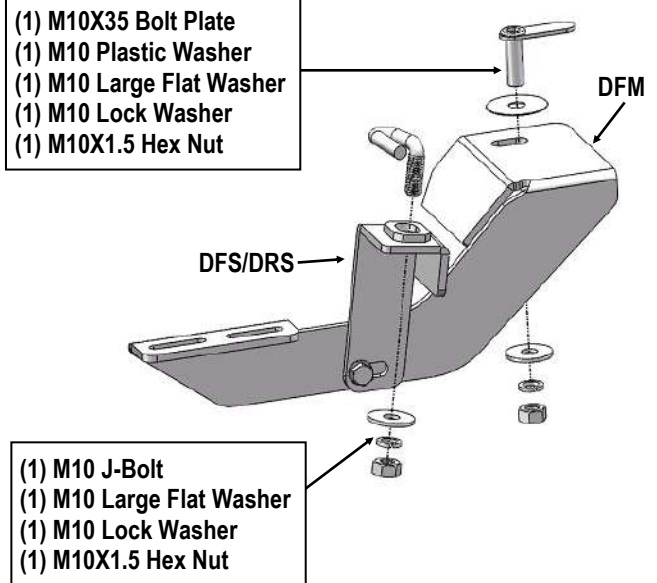
(Fig 4) Driver Side Front Brackets Assembly

## STEP 4

Attach the assembled Mounting Bracket to the installed M10X35 Bolt Plate with (1) M10 Large Flat Washer, (1) M10 Lock Washer and (1) M10X1.5 Hex Nut.

Secure the Drive Front Support Bracket (**DFS/DRS**) to the installed M10 J-Bolt with (1) M10 Large Flat Washer, (1) M10 Lock Washer and (1) M10X1.5 Hex Nut, (**Fig 5**).

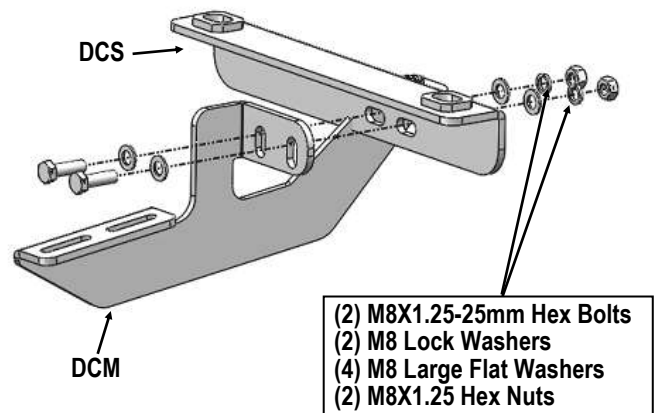
Do not fully tighten at this time.



(Fig 5) Driver Side Front Mounting Bracket Installation

## STEP 5

Select the Driver Center Mounting Bracket (**DCM**) and the Driver Center Support Bracket (**DCS**), assemble with (2) M8X1.25-25mm Hex Bolts, (4) M8 Large Flat Washers, (2) M8 Lock Washers and (2) M8X1.25 Hex Nuts, (**Fig 6**). Do not fully tighten at this time.



(Fig 6) Driver Side Center Brackets Assembly



## STEP 6

Move to the Driver Side Center Mounting Location, (Fig 7). Insert (2) M10 J-Bolts into the side panel, (Fig 8). Attach the Driver Center Support Bracket (DCS) to the installed (2) M10 J-Bolts with (2) M10 Large Flat Washers, (2) M10 Lock Washers and (2) M10X1.5 Hex Nuts, (Fig 9). Do not fully tighten at this time.

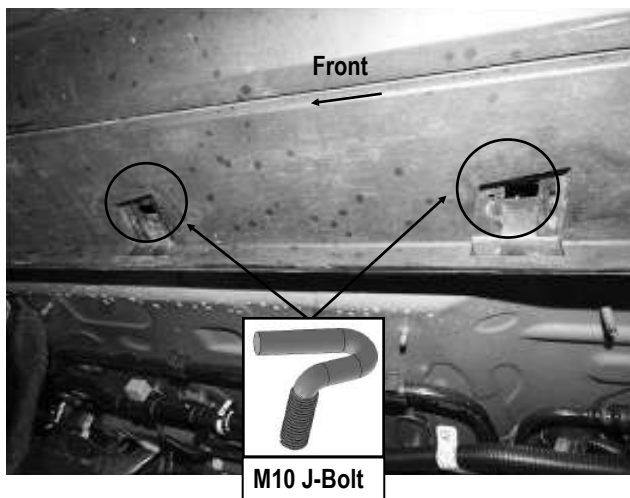
Select and install (1) Support Plate (Fig 9):

- Thread (1) M10X1.5 Hex Nut to (1) M10X1.5-60mm Hex Bolt. Slide (1) M10 Lock Washer and (1) M10 Flat washer onto the M10X1.5-60mm Hex Bolt. (NOTE: Use the M10X1.5 Hex Nut to adjust the level of the Mounting Bracket.)
- Thread the M10X1.5-60mm Hex Bolt assembly into the welded nut on the back of the Mounting Bracket. Place the Support Plate onto the end of the M10 Hex Bolt, (Fig 9).
- Tighten Hex Bolt to attach the Support Plate onto the floor panel. Do not tighten Hex Bolt all the way.

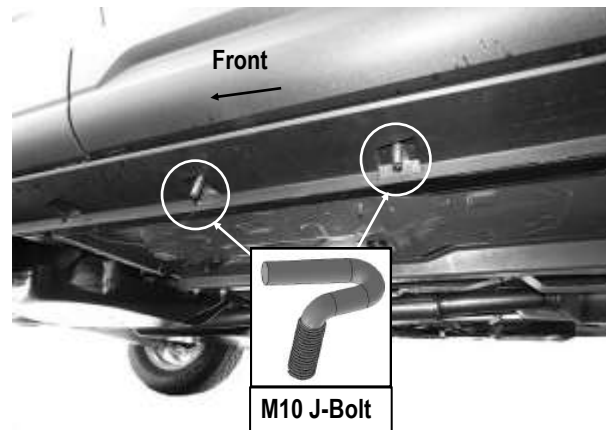
**NOTE:** Scan the QR code or follow link for Support Plate installation.



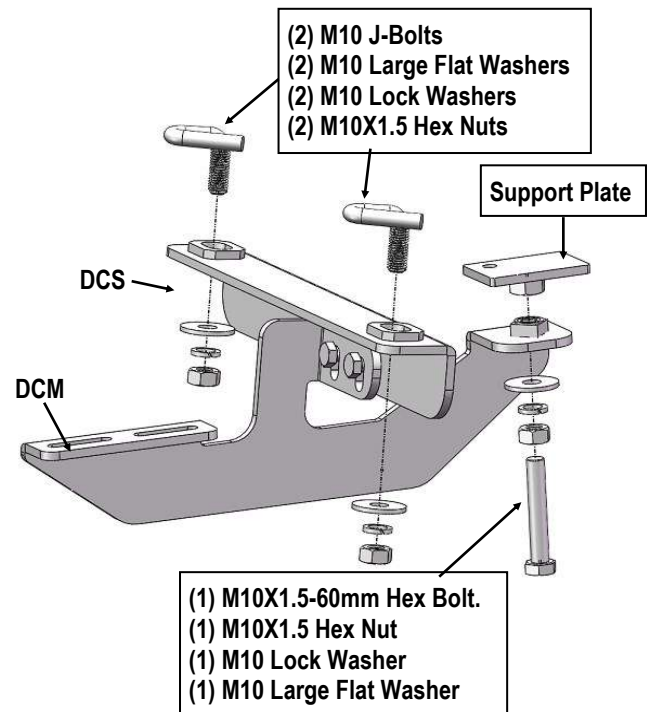
<https://www.youtube.com/watch?v=R51s7Vk1Sy4>



(Fig 7) Driver Side Center Mounting Location



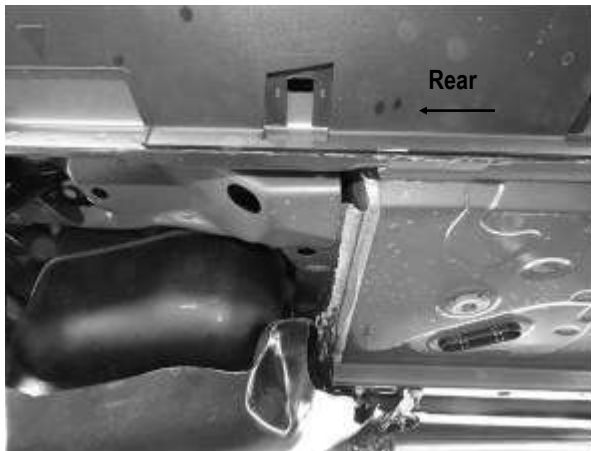
(Fig 8) M10 J-Bolts Installation  
(On Driver Side Center Mounting Location)



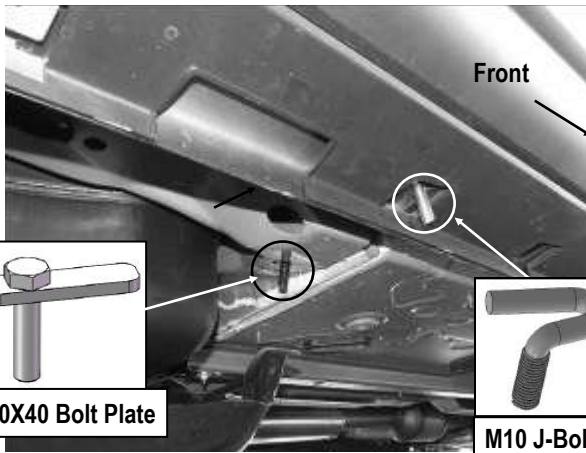
(Fig 9) Driver Side Center Brackets Installation

## STEP 7

Move to the Driver Side Rear Mounting Location, (Fig 10). Repeat **Steps 2- 4** to attach the Driver Rear Mounting Brackets, (Figs 10—13). Do not fully tighten hardware.



(Fig 10) Driver Side Rear Mounting Location

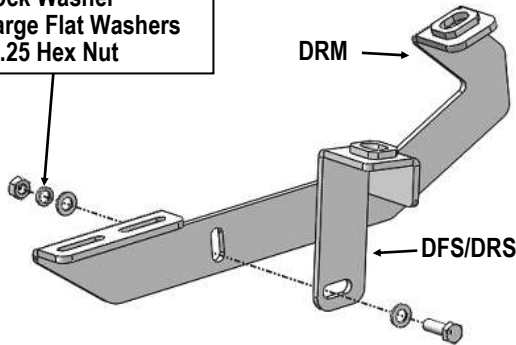


M10X40 Bolt Plate

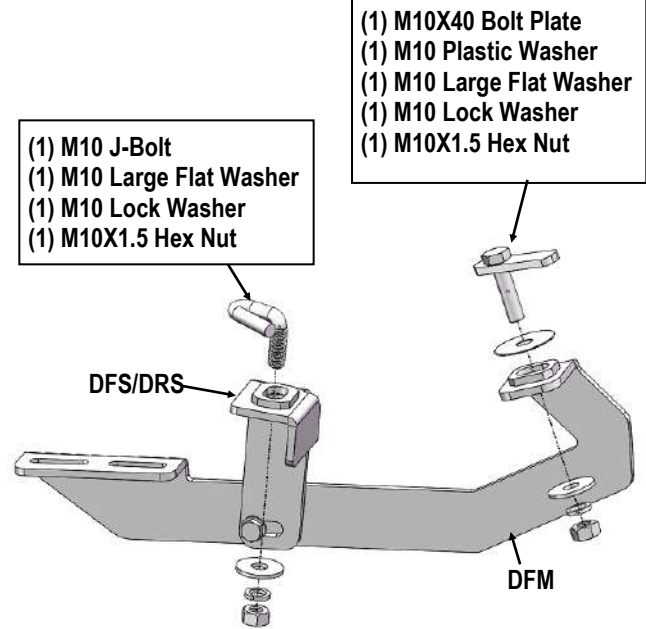
M10 J-Bolt

(Fig 11) Insert (1) M10 J-Bolt And (1) M10X40 Bolt Plate

- (1) M8X1.25-25mm Hex Bolt
- (1) M8 Lock Washer
- (2) M8 Large Flat Washers
- (1) M8X1.25 Hex Nut



(Fig 12) Driver Side Center Brackets Assembly



- (1) M10 J-Bolt
- (1) M10 Large Flat Washer
- (1) M10 Lock Washer
- (1) M10X1.5 Hex Nut

- (1) M10X40 Bolt Plate
- (1) M10 Plastic Washer
- (1) M10 Large Flat Washer
- (1) M10 Lock Washer
- (1) M10X1.5 Hex Nut

(Fig 13) Driver Side Rear Mounting Bracket Installation

## STEP 8

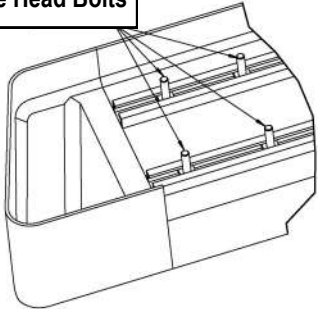
Once all (3) mounting brackets are installed. Select a Running Board. Slip (3) M6x1-20mm Square Head Bolts into each bottom channel (Fig 14). Carefully position the Running Board onto the (3) Mounting Brackets. Attach the Running Board to each Mounting Bracket with (2) M6X1-20mm Square Head Bolts, (2) M6 Large Flat Washers and (2) M6X1 Nylon Lock Nuts (Fig 15). Do not fully tighten at this time.

**IMPORTANT:** Do not slide the Running Board on the Brackets or the bottom surface of the board will be damaged.

Level and adjust the Running Board and fully tighten all hardware.

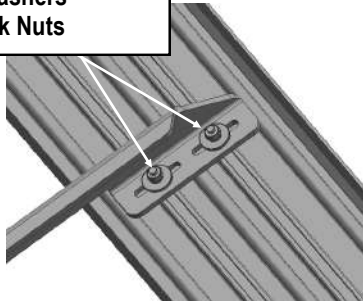


M6X1-20mm Square Head Bolts



(Fig 14) Slip M6X1-20mm Square Head Bolts Into The Bottom Channels

(2) M6X1-20mm Square Head Bolts  
(2) M6 Large Flat Washers  
(2) M6X1 Nylon Lock Nuts



(Fig 15) Running Board Installed Onto Mounting Bracket

## STEP 9

Repeat **Steps 1-8** for the other side Running Board installation. The installation is completed.

### Attention

Do periodic inspections to the installation to make sure that all hardware is secure and tight.

In order to protect your bars/boards, please use mild soap/non-abrasive products for cleaning only.