

iBoard®

iBoard® by APS

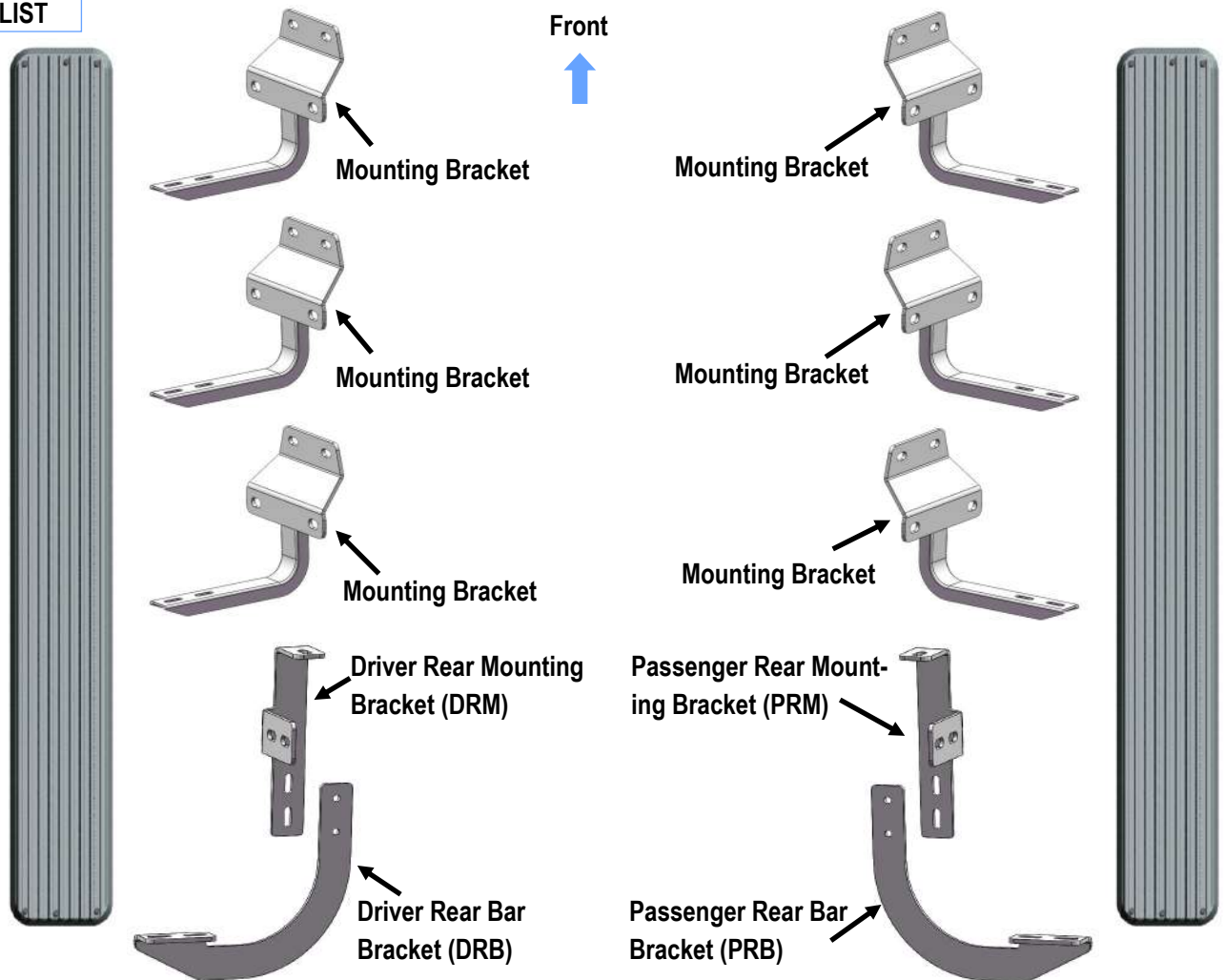
PART#: IB-175[S,L]-A_B

READ INSTRUCTIONS CAREFULLY BEFORE STARTING INSTALLATION. REMOVE CONTENTS FROM BOX AND VERIFY ALL PARTS ARE PRESENT. ASSISTANCE IS RECOMMENDED.

***ROCKER PANEL MOUNT
*No DRILLING REQUIRED/ TRIMMING MAY BE REQUIRED**

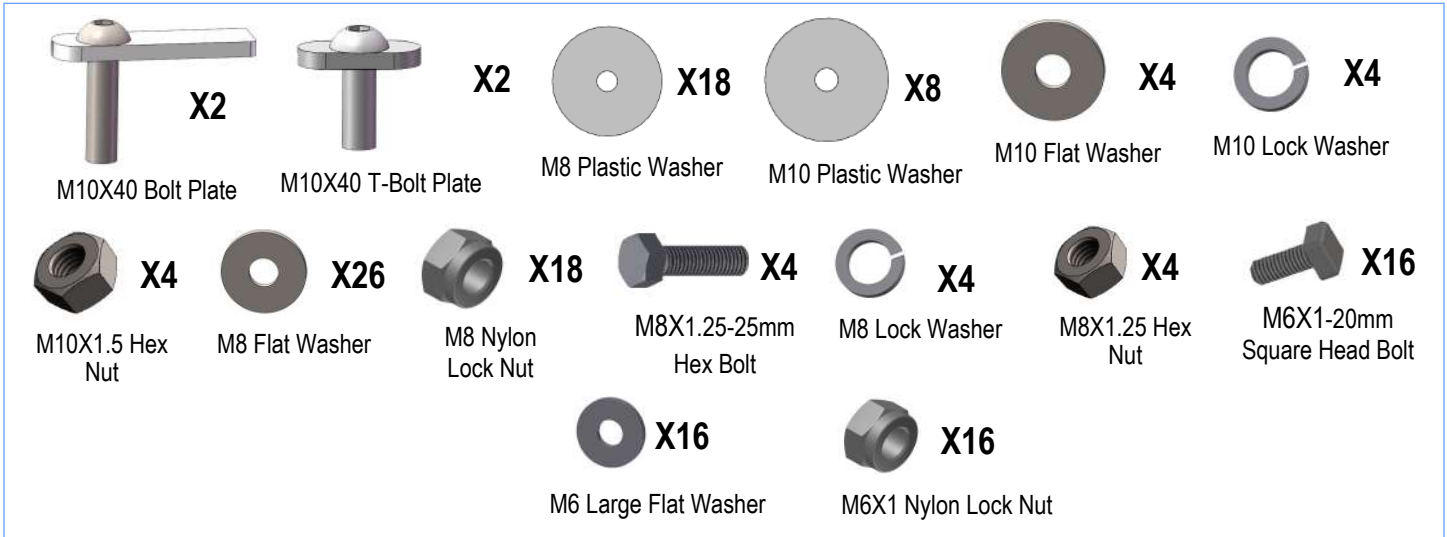
Fastener Size	Tightening Torque (ft-lbs)
6mm	6-7
8mm	16-18
10mm	31-32
12mm	56-58
14mm	92-94

PART LIST



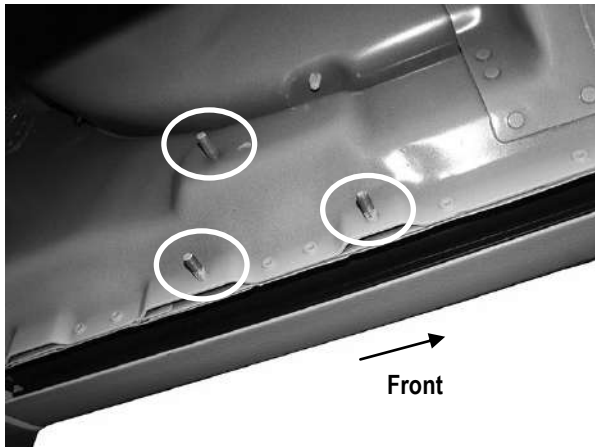
Customer Support: info@iboardauto.com

iBoard®



STEP 1

Start the installation under the driver side of the vehicle. Locate the front factory running board mounting location along the inner side of the body, (Fig 1).

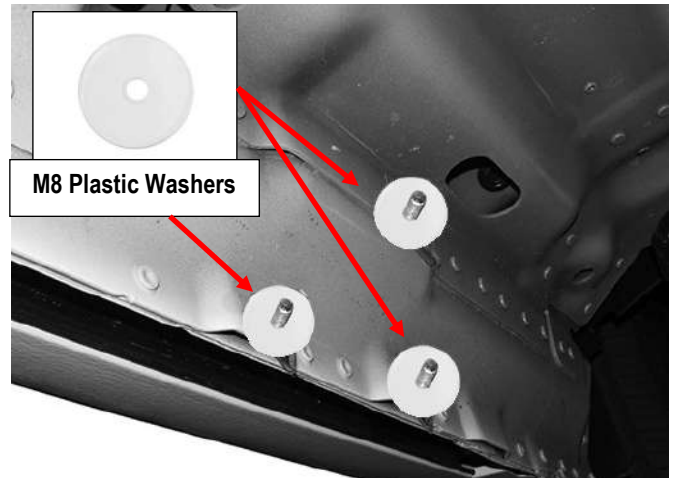


(Fig 1) Driver Side Front Mounting Location Pictured

STEP 2

Slide (1) M8 Plastic Washer over each factory mounting stud in the body panel, (Fig 2). **IMPORTANT:** The Plastic Washers are designed to prevent corrosion between the aluminum body panel and the steel mounting brackets.

Do not install the Brackets without the Plastic Washers.



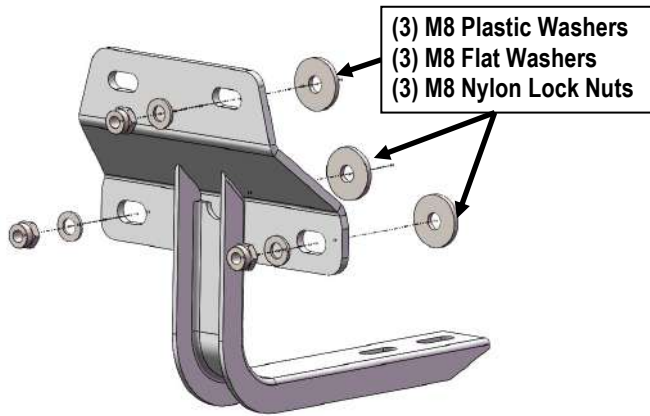
(Fig 2) Driver Side Front Mounting Location Pictured

iBoard®

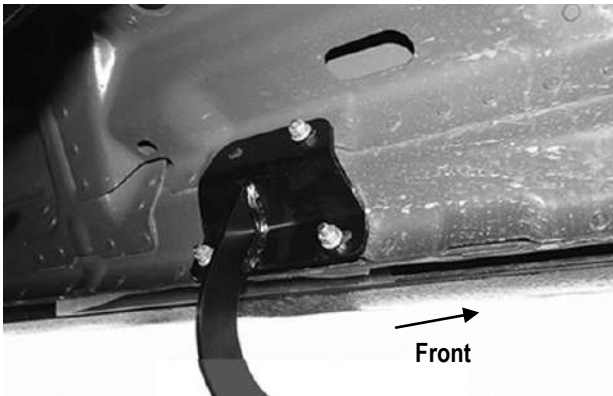
STEP 3

Select (1) Mounting Bracket. Attach the Mounting Bracket to the (3) factory studs with (3) M8 Flat Washers and (3) M8 Nylon Lock Nuts, (Figs 3 & 4). Do not fully tighten hardware at this time.

NOTE: The (6) Mounting Brackets are universal and will fit left or right side.



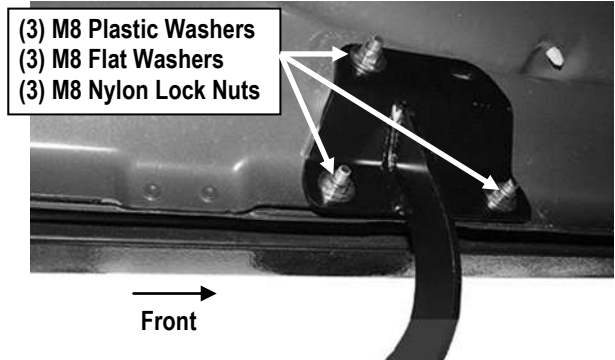
(Fig 3) Driver Front Mounting Bracket Installed



(Fig 4) Driver Front Mounting Bracket Installed

STEP 4

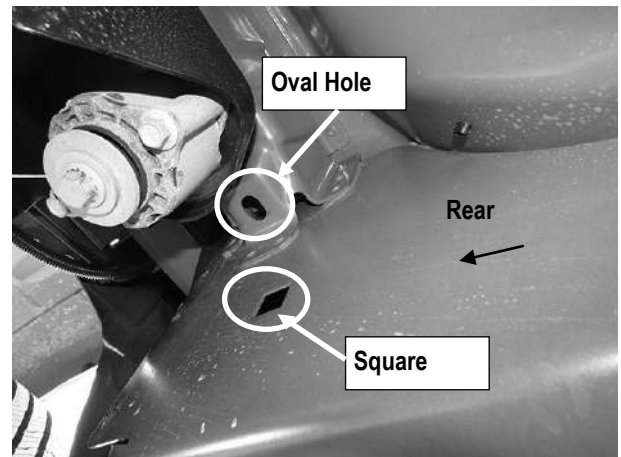
Repeat **Steps 1—3** to install the other (2) driver side Mounting Bracket, (Fig 5). Do not fully tighten hardware at this time.



(Fig 5) Driver Center Mounting Bracket Installed

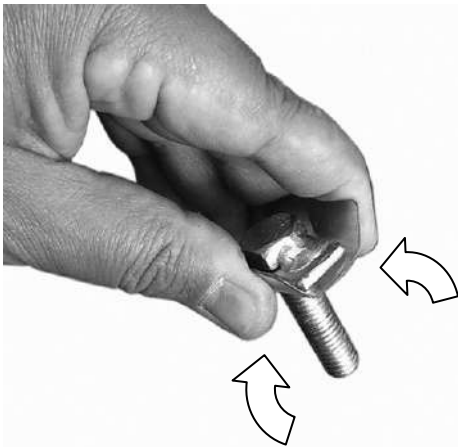
STEP 5

Move to the rear body mount at the back of the cab. Locate the oval hole in the body mount support directly above the square hole in the side of the body panel, (Fig 6). Thread (1) M10 Plastic Washer onto (1) M10x40 T-Bolt. Thread the Plastic Washer all the way down the threaded end of the T-Bolt. By hand, (pliers can also be used), bend the sides of the Plastic Washer up around the sides of the Bolt Plate, (Fig 7).



(Fig 6) Driver Side Rear Mounting Location Pictured

iBoard®



(Fig 7) By hand, bend sides of Plastic Washer up around T-Bolt (pliers may also be used)

STEP 6

Insert the M10 Bolt Plate and M10 Plastic Washer into the oval hole. Once the Bolt Plate is in the hole, thread a second Plastic Washer down until it is tight against the body panel, (Fig 8). If necessary, use scissors to trim plastic washer for easier installation.

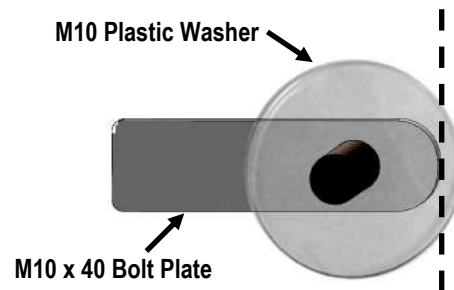
IMPORTANT: Do not install the rear Bolt Plates and Brackets without the Plastic Washers.



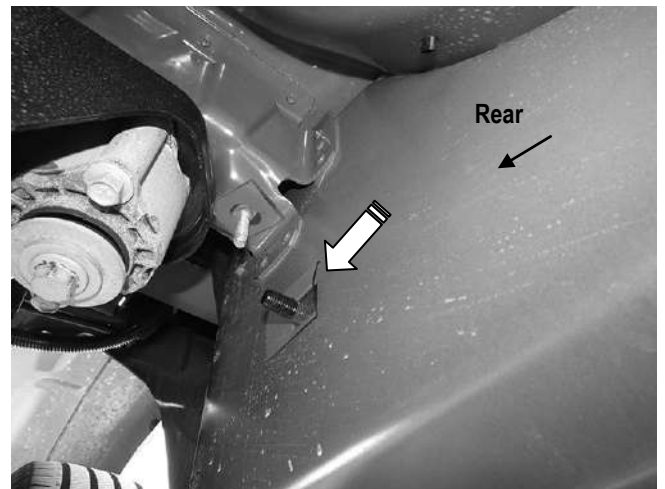
(Fig 8) Insert T-Bolt and folded Washer into oval hole. Thread second Plastic Washer onto T-Bolt

STEP 7

Next, locate the square hole in the side of the body panel, (Fig 6). Select the M10 x 40 Bolt Plate and (1) M10 Plastic Washer. Repeat **Steps 5 & 6** to insert the Bolt Plate and Plastic Washer into the square hole. Trim Plastic Washer as required, (Fig 9). Once the Bolt Plate is in the hole, thread a second Plastic Washer down until it is tight against the body panel, (Fig 10).



(Fig 9) Bend sides of Plastic Washer up around Bolt Plate. If necessary, use scissors to cut off overhanging plastic. Cut washer on Bolt Plate installation only

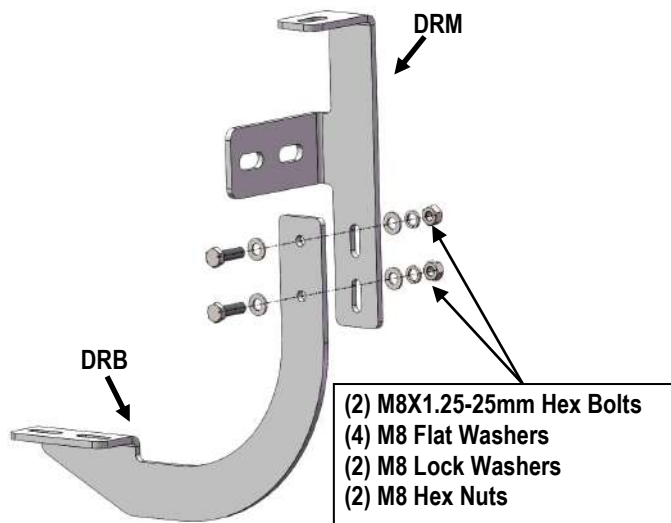


(Fig 10) Insert M10 Bolt Plate and Plastic Washer into lower square hole. Thread second Plastic Washer onto Bolt Plate

iBoard®

STEP 8

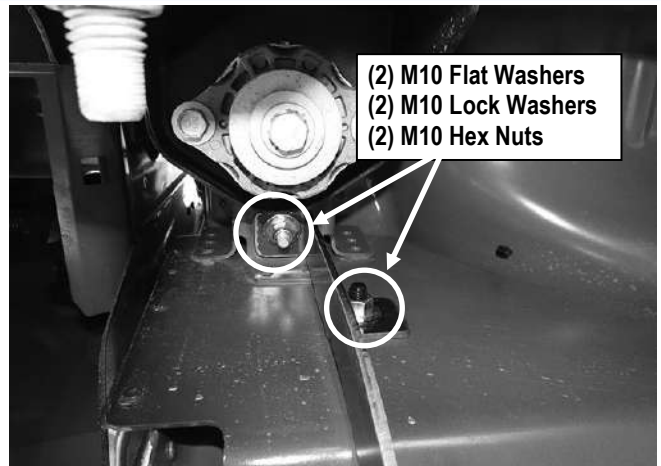
Assemble Driver Rear Mounting Bracket (**DRM**) and Driver Rear Bar Bracket (**DRB**) with (2) M8X1.25-25mm Hex Bolts, (4) M8 Flat Washers, (2) M8 Lock Washers and (2) M8 Hex Nuts, (**Fig 11**). Do not fully tighten hardware at this time.



(Fig 11) Driver Rear Mounting Bracket (DRM) and Driver Rear Bar Bracket (DRB) Assembly

STEP 9

Select the assembled driver side rear Bracket. Slide the Bracket over the (2) Bolt Plates. Attach the Bracket to the Bolt Plates with (2) M10 Flat Washers, (2) M10 Lock Washers and (2) M10 Hex Nuts, (**Fig 12**). Do not fully tighten hardware at this time.



(Fig 12) Driver Side Rear Bracket Installed

STEP 10

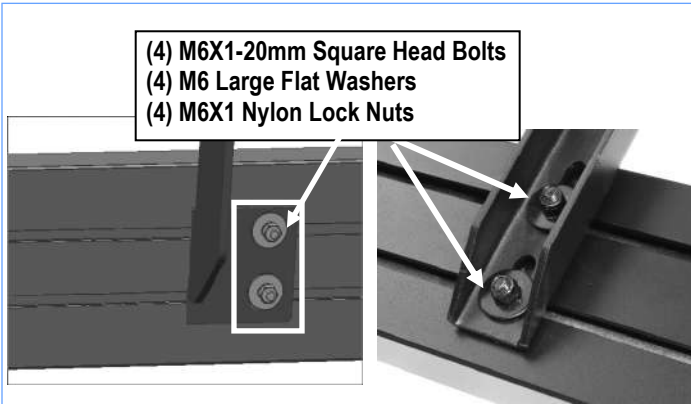
Select a Running Board. Slip (4) M6x1-20mm Square Head Bolts into each bottom channel (**Fig 13**). Carefully position the Running Board onto the (4) Mounting Brackets.

IMPORTANT: Do not slide the Running Board on the Brackets or the bottom surface of the board will be damaged. Attach the Running Board to each Mounting Bracket with (2) M6x1-20mm Square Head Bolts, (2) M6 Large Flat Washers and (2) M6 X1 Nylon Lock Nuts (**Fig 14**). Do not fully tighten hardware at this time.



(Fig 13) Slip M6X1-20mm Square Head Bolts Into The Bottom Channels

iBoard®



(Fig 14) Running Board Installed Onto Mounting Bracket

STEP 11

Level and adjust the Running Board as necessary and fully tighten all hardware.

STEP 12

Repeat **Steps 1-11** for the passenger side Running Board installation. The installation is completed (**Fig 15**).



(Fig 15) Installation Completed

Attention

Do periodic inspections to the installation to make sure that all hardware is secure and tight.

In order to protect your bars/boards, please use only mild soap/non-abrasive products for cleaning.