

iBoard®

iBoard® by APS

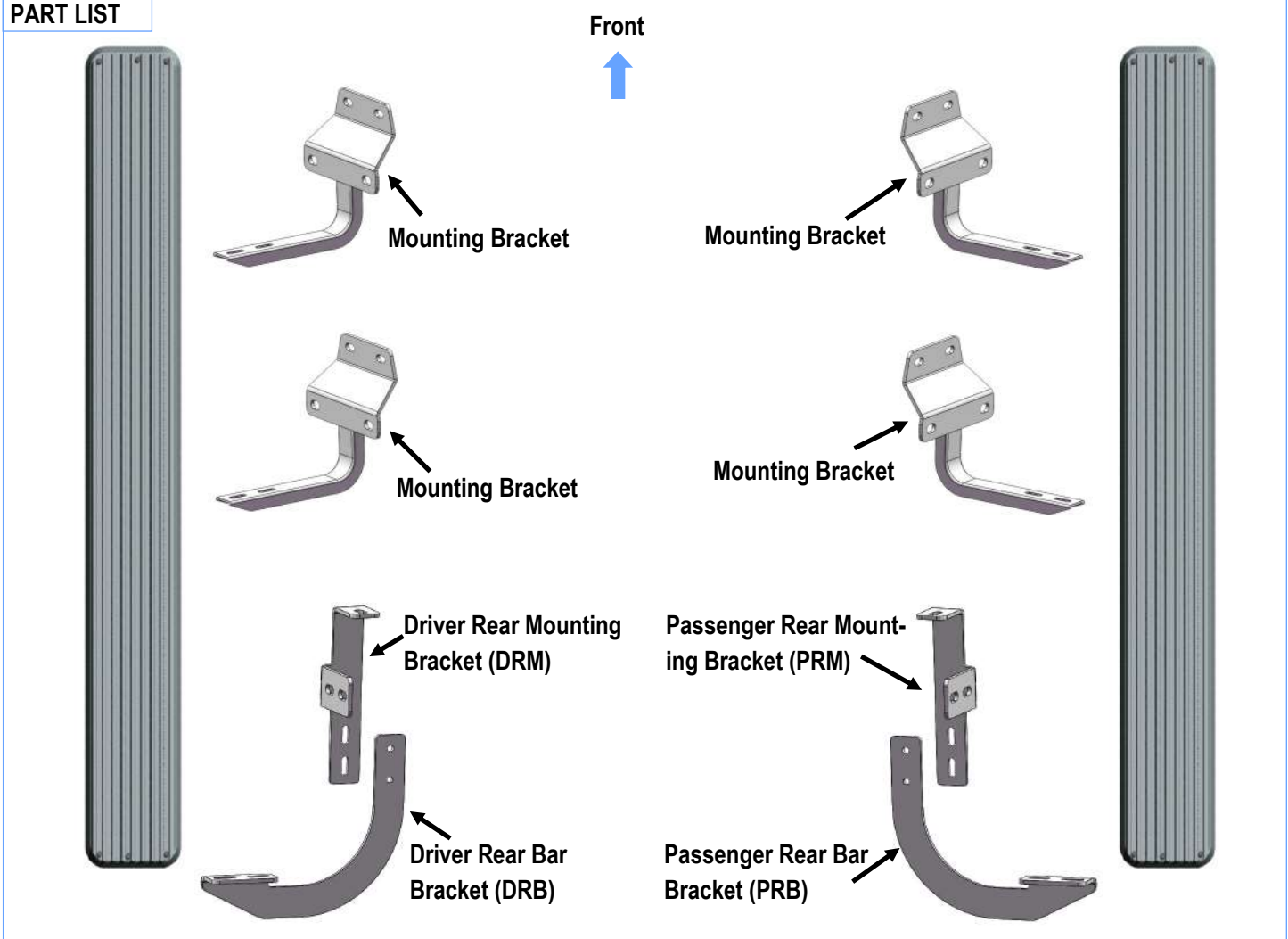
PART#: IB-188[S,L]&189[L]-A_B

READ INSTRUCTIONS CAREFULLY BEFORE STARTING INSTALLATION. REMOVE CONTENTS FROM BOX AND VERIFY ALL PARTS ARE PRESENT. ASSISTANCE IS RECOMMENDED.

***ROCKER PANEL MOUNT
*NO DRILLING REQUIRED/ TRIMMING MAY BE REQUIRED**

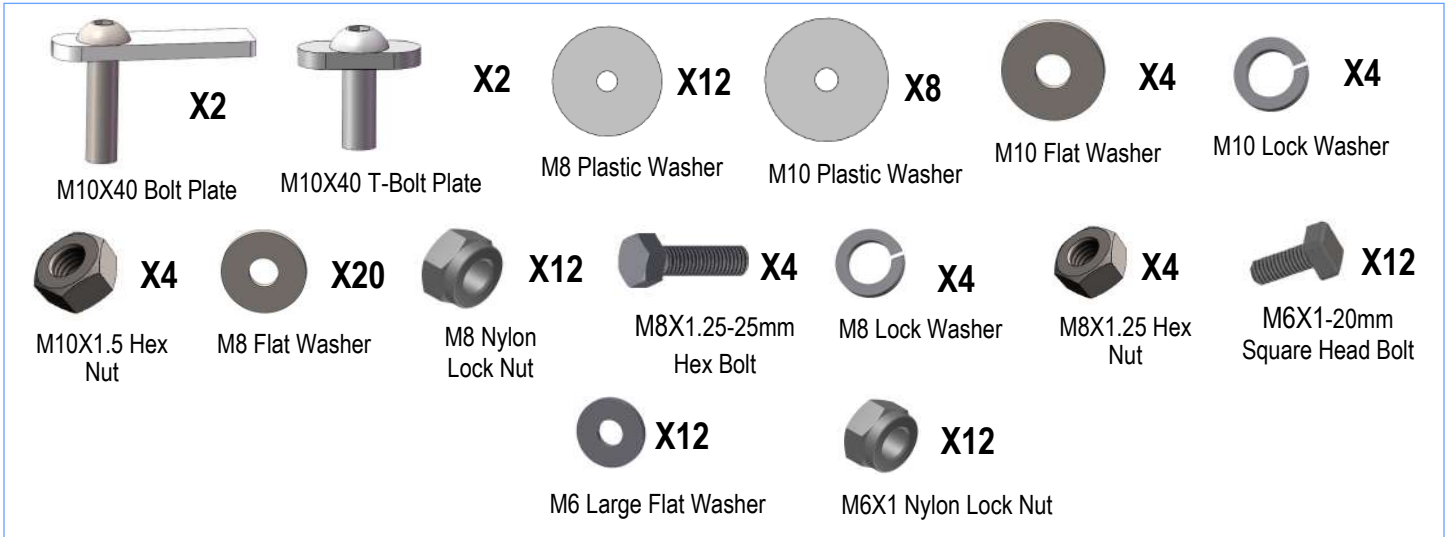
Fastener Size	Tightening Torque (ft-lbs)
6mm	6-7
8mm	16-18
10mm	31-32
12mm	56-58
14mm	92-94

PART LIST



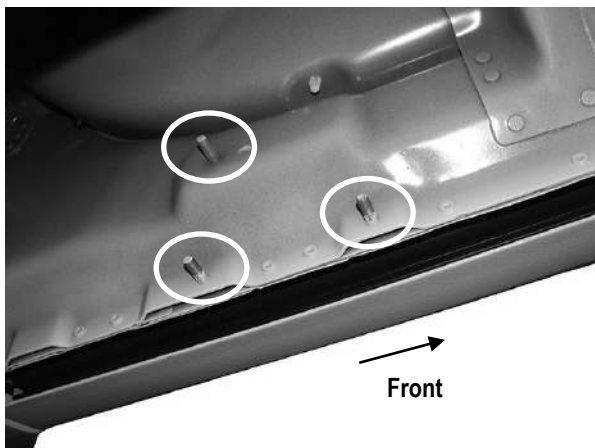
Customer Support: info@iboardauto.com

iBoard®



STEP 1

Start the installation under the driver side of the vehicle. Locate the Driver Side Front Mounting Location along the inner side of the body panel, (Fig 1).

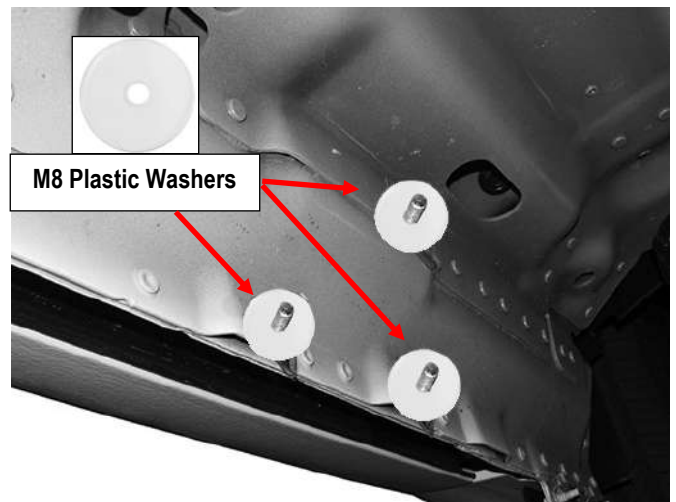


(Fig 1) Driver Side Front Mounting Location Pictured

STEP 2

Slide (1) M8 Plastic Washer over each factory mounting stud on the body panel, (Fig 2).

IMPORTANT: The Plastic Washers are designed to prevent corrosion between the body panel and the mounting brackets. Do not install the Brackets without the Plastic Washers.



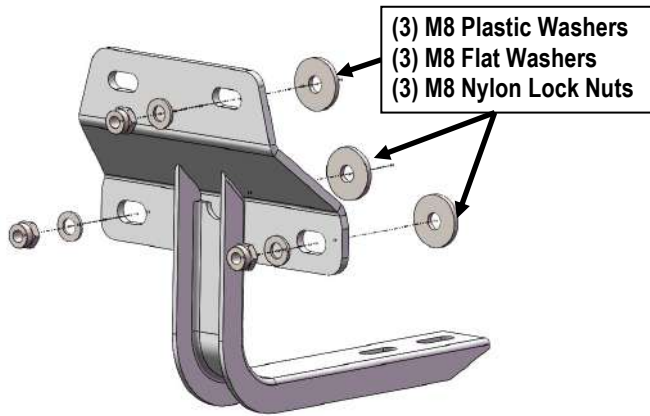
(Fig 2) M8 Plastic Washers Installed on Factory Mounting Studs

iBoard®

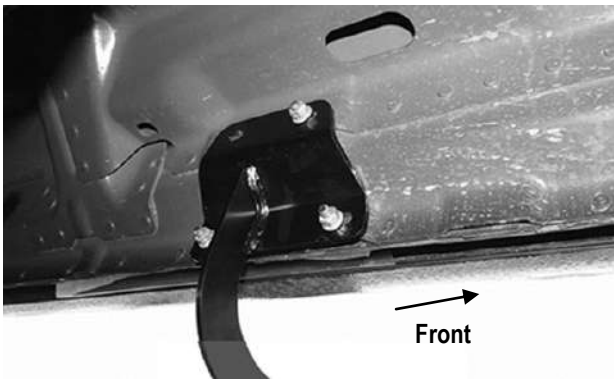
STEP 3

Select (1) Mounting Bracket. Attach the Mounting Bracket to the (3) factory studs with (3) M8 Flat Washers and (3) M8 Nylon Lock Nuts, (Figs 3 & 4). Do not fully tighten hardware at this time.

NOTE: The (4) Mounting Brackets are universal and will fit driver and passenger side front/center mounting locations.



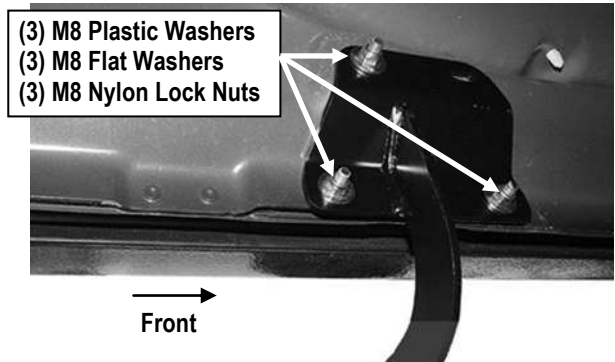
(Fig 3) Driver Front Mounting Bracket Installed



(Fig 4) Driver Front Mounting Bracket Installed

STEP 4

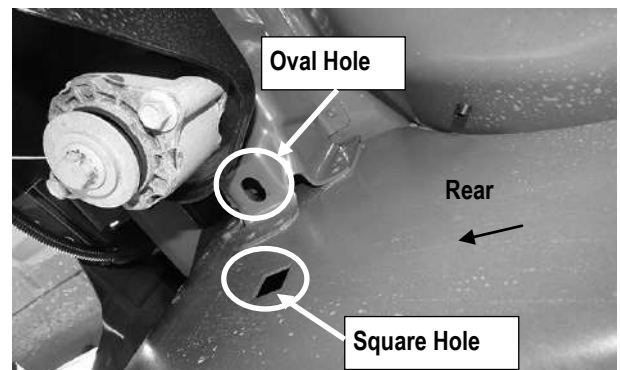
Repeat **Steps 1—3** to install the Mounting Bracket onto the Driver Side Center Mounting Location, (Fig 5). Do not fully tighten hardware at this time.



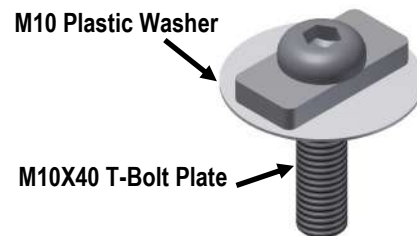
(Fig 5) Driver Center Mounting Bracket Installed

STEP 5

Move to the Driver Side Rear Mount Location at the rear of the cab. Locate the oval hole beside the body mount and the square hole on the body panel, (Fig 6). Thread (1) M10 Plastic Washer onto (1) M10X40 T-Bolt Plate, (Fig 7).



(Fig 6) Driver Side Rear Mounting Location

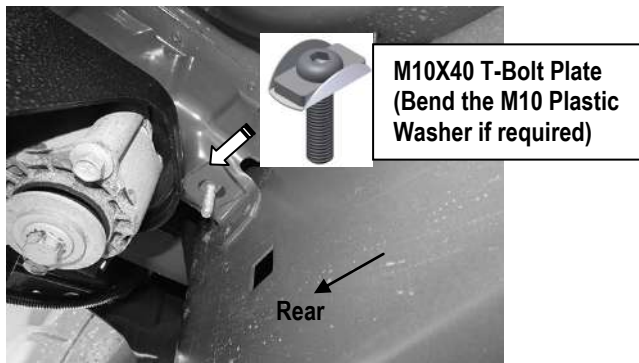


(Fig 7) Threaded M10 Plastic Washer onto M10X40 T-Bolt Plate

iBoard®

STEP 6

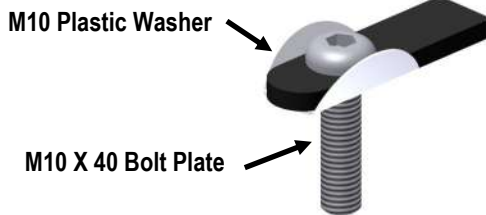
Insert the M10X40 T-Bolt Plate (with M10 Plastic Washer) into the oval hole beside the rear body mount. Bend the M10 Plastic Washer if required, (Fig 8). Once the T-Bolt Plate is inserted into the oval hole, thread another M10 Plastic Washer onto the T-Bolt Plate to hold the T-Bolt Plate in place, (Fig 8)



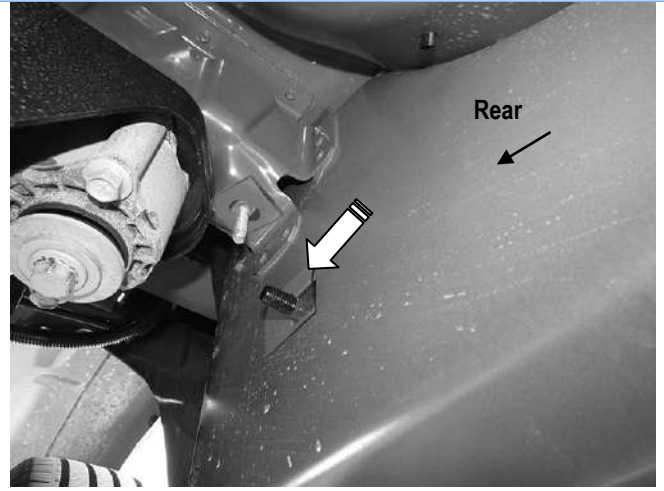
(Fig 8) Insert M10X40 T-Bolt W/ Plastic Washer into oval hole. Thread another M10 Plastic Washer onto T-Bolt

STEP 7

Locate the square hole on the side of the body panel, (Fig 6). Select (1) M10X40 Bolt Plate & (1) M10 Plastic Washer. Thread the Plastic Washer to the Bolt Plate, insert the Bolt Plate (with Plastic Washer) into the square hole (Bend the Plastic Washer if required), (Fig 9). Thread another M10 Plastic Washer onto the Bolt Plate to hold the Bolt Plate in place, (Fig 10).



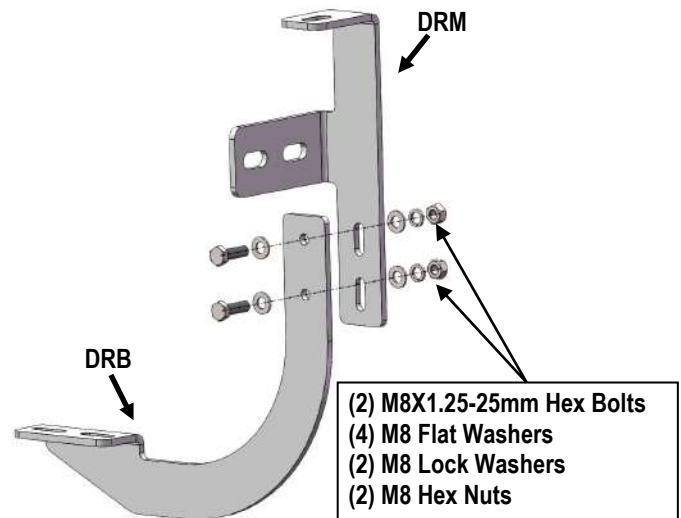
(Fig 9) Insert the Bolt Plate into the square hole (If required, bend the Plastic Washer up)



(Fig 10) Insert M10X40 Bolt Plate W/Plastic Washer into square hole. Thread another Plastic Washer onto Bolt Plate

STEP 8

Assemble Driver Rear Mounting Bracket (DRM) and Driver Rear Bar Bracket (DRB) with (2) M8X1.25-25mm Hex Bolts, (4) M8 Flat Washers, (2) M8 Lock Washers and (2) M8 Hex Nuts, (Fig 11). Do not fully tighten hardware at this time.

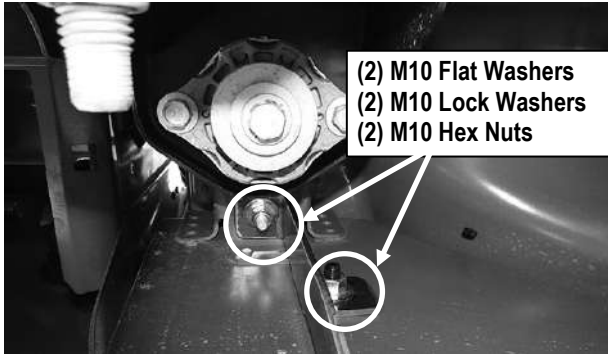


(Fig 11) Driver Rear Mounting Bracket (DRM) and Driver Rear Bar Bracket (DRB) Assembly

iBoard®

STEP 9

Attach the assembled Driver Rear Mounting Bracket to the (2) installed M10 Bolt Plates with (2) M10 Flat Washers, (2) M10 Lock Washers and (2) M10 Hex Nuts, **(Fig 12)**. Do not fully tighten hardware at this time.



(Fig 12) The Assembled Driver Rear Mounting Bracket Installed

STEP 10

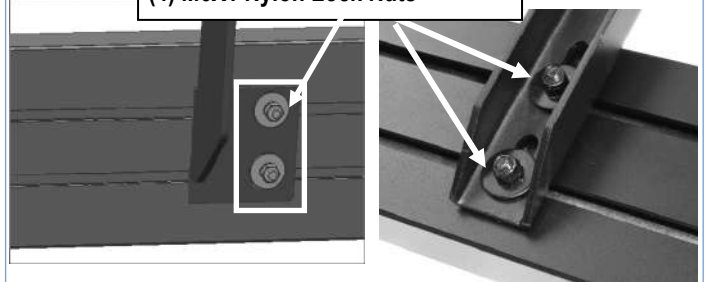
Select a Running Board. Slip (3) M6x1-20mm Square Head Bolts into each bottom channel **(Fig 13)**. Carefully position the Running Board onto the (3) Mounting Brackets.

IMPORTANT: Do not slide the Running Board on the Brackets or the bottom surface of the board will be damaged. Attach the Running Board to each Mounting Bracket with (2) M6x1-20mm Square Head Bolts, (2) M6 Large Flat Washers and (2) M6 X1 Nylon Lock Nuts **(Fig 14)**. Do not fully tighten hardware.



(Fig 13) Slip M6X1-20mm Square Head Bolts Into The Bottom Channels

(4) M6X1-20mm Square Head Bolts
(4) M6 Large Flat Washers
(4) M6X1 Nylon Lock Nuts



(Fig 14) Running Board Installed Onto Mounting Bracket

STEP 11

Level and adjust the Running Board as necessary and fully tighten all hardware.

STEP 12

Repeat **Steps 1-11** for the passenger side Running Board installation. The installation is completed **(Fig 15)**.



(Fig 15) Installation Completed

Attention

Do periodic inspections to the installation to make sure that all hardware is secure and tight.

In order to protect your bars/boards, please use only mild soap/non-abrasive products for cleaning.