

iBoard®

iBoard® by APS

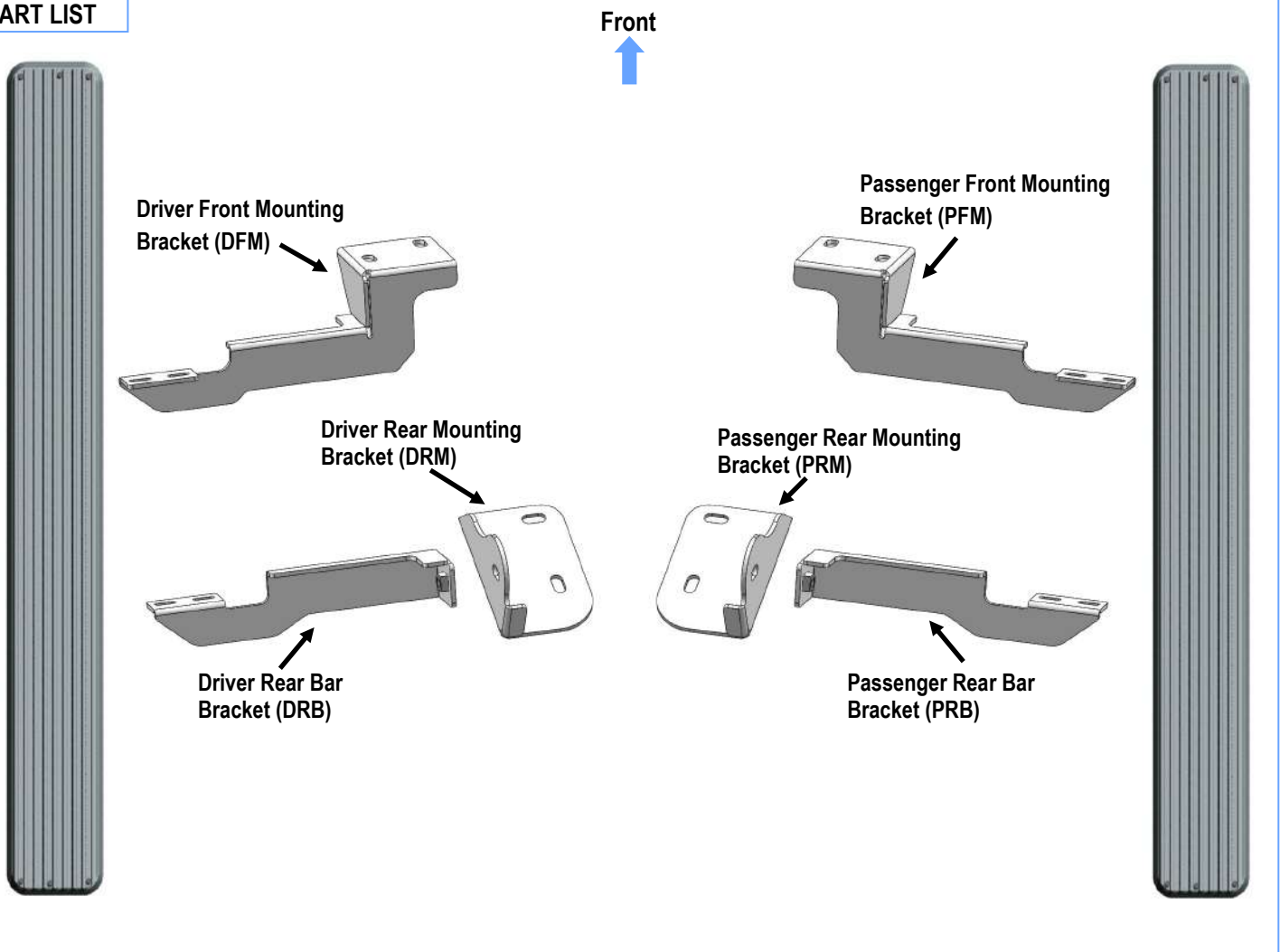
PART#: IB-108

READ INSTRUCTIONS CAREFULLY BEFORE STARTING INSTALLATION. REMOVE CONTENTS FROM BOX AND VERIFY ALL PARTS ARE PRESENT. ASSISTANCE IS RECOMMENDED.

*BODY FRAME MOUNT
*NO DRILLING REQUIRED

Fastener Size	Tightening Torque (ft-lbs)	Required
6mm	6-7	√
8mm	16-18	X
10mm	31-32	√
12mm	56-58	√
14mm	92-94	X

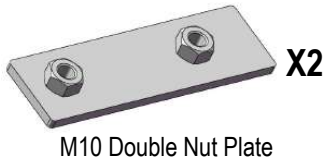
PART LIST



Customer Support: info@iboardauto.com

iBoard®

Hardware Package A (For Bracket Installation)



Hardware Package B (For Aluminum Step Bar Installation Only, Not Supply to Stainless Steel Step Bar)



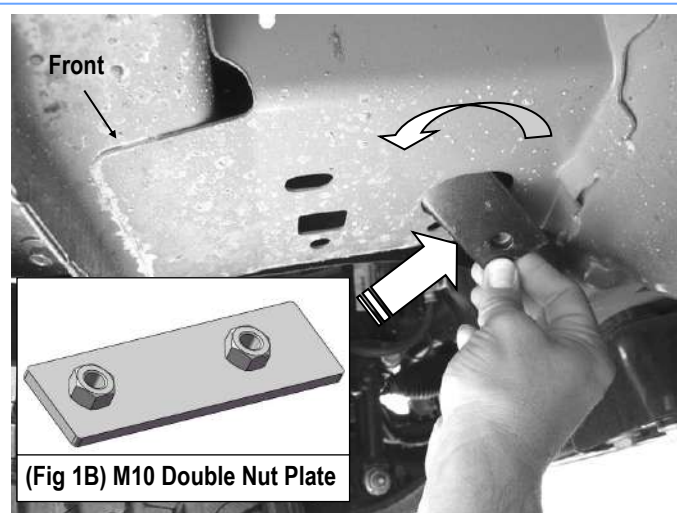
Hardware Package C (For Stainless Steel Step Bar Installation Only, Not Supply to Aluminum Step Bar)



STEP 1

Start installation from the driver side front of the vehicle. Locate the Driver Front Mounting Bracket (DFM) location, (Fig 1A).

Select (1) M10 Double Nut Plate, (Fig 1B). Insert the M10 Double Nut Plate into the large round hole in the floor panel. Line up the (2) threaded nuts in the M10 Double Nut Plate with the large round hole and the oval hole in the floor panel.

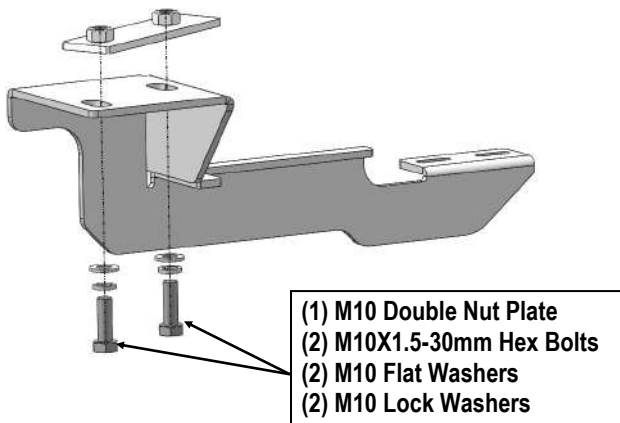


(Fig 1A) Driver Front Mounting Bracket (DFM) Location

iBoard®

STEP 2

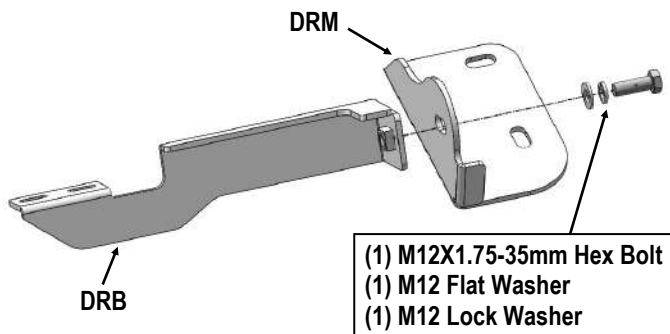
Select the Driver Front Mounting Bracket (**DFM**). Attach the Bracket to the M10 Double Nut Plate with (2) M10X1.5-30mm Hex Bolts, (2) M10 Lock Washers and (2) M10 Flat Washers (**Fig 2**). Do not fully tighten hardware at this time.



(Fig 2) Driver Front Mounting Bracket (DFM) Installation

STEP 3

Next, move to the driver side rear of the vehicle. Assemble (1) Driver Rear Mounting Bracket (**DRM**) and (1) Driver Rear Bar Bracket (**DRB**) with (1) M12X1.75-35mm Hex Bolt, (1) M12 Flat Washer and (1) M12 Lock Washer (**Fig 3**). Do not fully tighten hardware at this time.

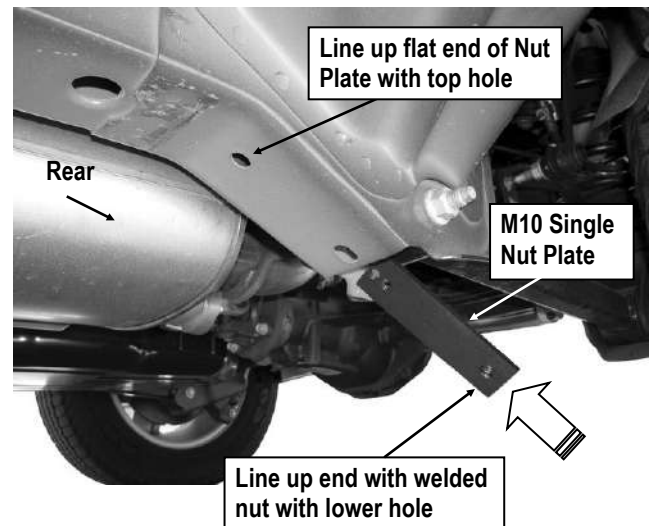


(Fig 3) Driver Side Rear Mounting Bracket Assembly

STEP 4

Locate the factory mount for the rear trailing arm, (**Fig 4**). Select (1) M10 Single Nut Plate. Insert the flat end of the M10 Single Nut Plate with the threaded holes, (No welded nut), up and into the underside of the trailing arm mount. Line up the threaded holes in the M10 Single Nut Plate with the (2) holes in the trailing arm mount.

NOTE: Make sure that the end on the Nut Plate with the welded nut is towards the bottom of the trailing arm mount.

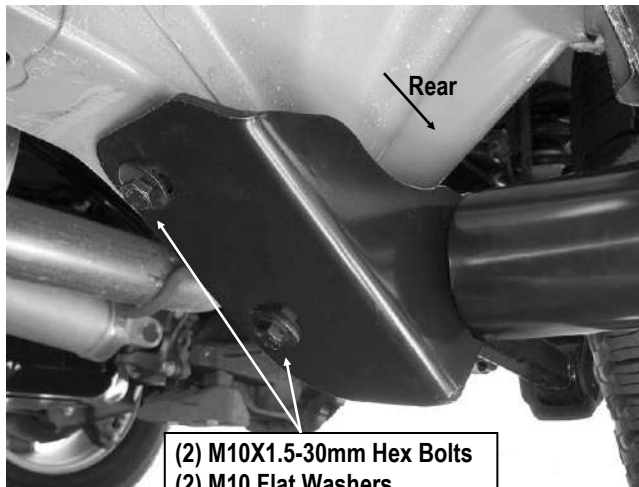


(Fig 4) Driver Rear Mounting Bracket Location

STEP 5

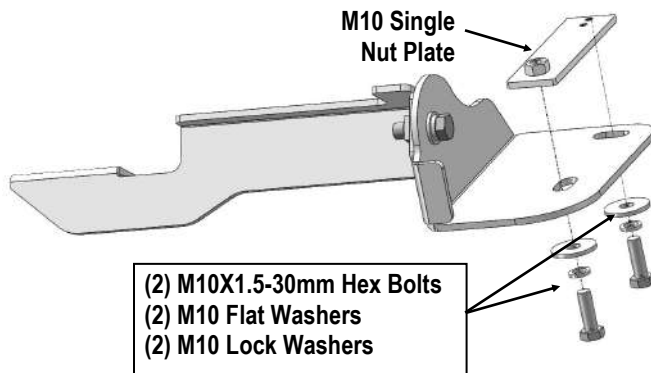
Next, attach Driver Rear Mounting Bracket (**DRM**) to M10 Single Nut Plate with (2) M10X1.5-30mm Hex Bolts, (2) M10 Lock Washers, and (2) M10 Flat Washers, (**Fig 5 & 6**). Do not fully tighten hardware at this time.

iBoard®



(2) M10X1.5-30mm Hex Bolts
(2) M10 Flat Washers
(2) M10 Lock Washers

(Fig 5) Driver Rear Mounting Bracket (DRM) Installation



(2) M10X1.5-30mm Hex Bolts
(2) M10 Flat Washers
(2) M10 Lock Washers

(Fig 6) Driver Rear Mounting Bracket (DRM) Installation

STEP 6

Once all (2) mounting brackets are installed, then proceed to the Step Bar installation. According to the style of Step Bar proceed to the correct installation STEPS.

Note: Aluminum Step Bar refer to STEP 7; Stainless Steel Step Bar skip to STEP 8.

STEP 7

Aluminum Step Bar Installation:

Select a **Aluminum Step Bar**. Slip (2) M6x1-20mm Square Head Bolts into each bottom channel (**Fig 7**). Carefully position the Step Bar onto the (2) Mounting Brackets.

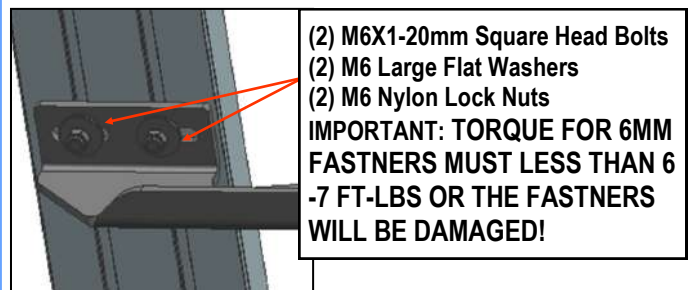
IMPORTANT: Do not slide the Step Bar on the Brackets or the bottom surface of the board will be damaged. Attach the Step Bar to each Mounting Brackets with (2) M6x1-20mm Square Head Bolts, (2) M6 Large Flat Washers and (2) M6 Nylon Lock Nuts, (**Fig 8**). Do not fully tighten at this time.

Level and adjust the Step Bar and fully tighten all hardware. Repeat **Steps 1-7** for the other side Step Bar installation.

The installation is completed!!!



(Fig 7) Slip M6X1-20mm Square Head Bolts Into The Bottom Channels



(2) M6X1-20mm Square Head Bolts
(2) M6 Large Flat Washers
(2) M6 Nylon Lock Nuts
IMPORTANT: TORQUE FOR 6MM FASTNERS MUST LESS THAN 6 -7 FT-LBS OR THE FASTNERS WILL BE DAMAGED!

(Fig 8) Running Board Installed Onto Mounting Bracket

iBoard®

STEP 8

Stainless Steel Step Bar Installation:

Select a **Stainless Steel Step Bar** (with the U-Sliders installed on the Bar). Loose the U-Sliders, reposition the U-Sliders onto the board according to the (2) Installed Mounting Brackets location, **(Fig 9)**. Re-secure the U-Sliders on the Step Bar. Attach the Step Bar to the installed Mounting Brackets with (4) M6X1-20mm Hex Bolts, (4) M6 Large Flat Washers & (4) M6 Lock Washers, **(Fig 10)**. Do not fully tighten hardware at this time.

Level and adjust the Step Bar and fully tighten all hardware. Repeat **Steps 1-6 and 8** for the other side Step Bar installation.

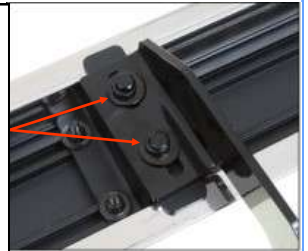
The installation is completed!!!



(Fig 9) Slide & line up the U-Slider with the installed mounting brackets along bottom channel

(2) M6X1-20mm Hex Bolts
(2) M6 Large Flat Washers
(2) M6 Lock Washers

IMPORTANT: TORQUE FOR 6MM FASTNERS MUST LESS THAN 6-7 FT-LBS OR THE FASTNERS WILL BE DAMAGED!



(Fig 10) Step Bar Installed on Bracket Installed (Example)

Attention

Do periodic inspections to the installation to make sure that all hardware is secure and tight.

In order to protect your bars/boards, please use only mild soap/non-abrasive products for cleaning.