

# iBoard®

## iBoard® by APS

PART#: IB-060

READ INSTRUCTIONS CAREFULLY BEFORE STARTING INSTALLATION. REMOVE CONTENTS FROM BOX AND VERIFY ALL PARTS ARE PRESENT. ASSISTANCE IS RECOMMENDED.

\*BODY FRAME MOUNT  
\*NO DRILLING REQUIRED

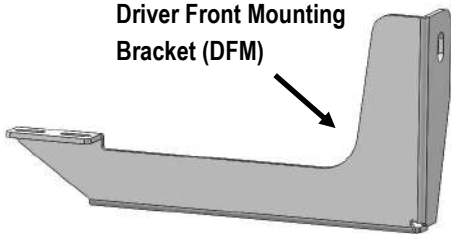
Fastener Size	Tightening Torque (ft-lbs)	Required
6mm	6-7	√
8mm	16-18	X
10mm	31-32	X
12mm	56-58	√
14mm	92-94	X

### PART LIST

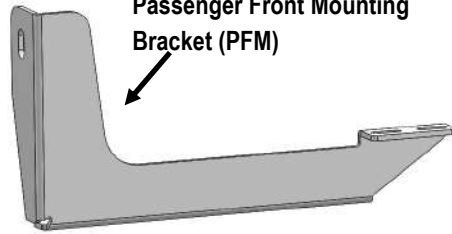
Front



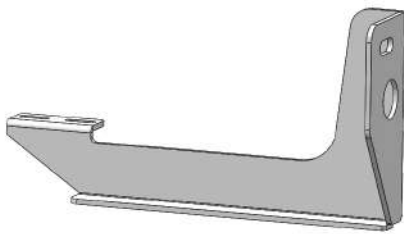
Driver Front Mounting  
Bracket (DFM)



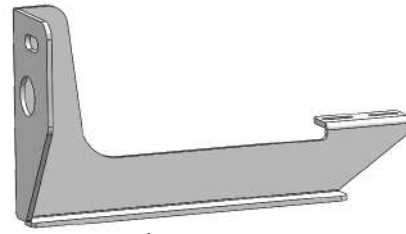
Passenger Front Mounting  
Bracket (PFM)



Driver Rear Mounting  
Bracket (DRM)



Passenger Rear Mounting  
Bracket (PRM)



Customer Support: [info@iboardauto.com](mailto:info@iboardauto.com)

# iBoard®

## Hardware Package A (For Bracket Installation)



X1

M12 Short Bolt Plate



X1

M12 Long Bolt Plate



X2

M12X1.75-  
45mm Hex Bolt



X6

M12 Flat Washer



X4

M12 Lock Washer



X4

M12 Hex Nut

## Hardware Package B (For Aluminum Step Bar Installation Only, Not Supply to Stainless Steel Step Bar)



X8

M6X1-20mm Square Head Bolt



X8

M6 Large Flat Washer



X8

M6 Nylon Lock Nut

## Hardware Package C (For Stainless Steel Step Bar Installation Only, Not Supply to Aluminum Step Bar)



X8

M6X1-20mm Hex Bolt



X8

M6 Lock Washer

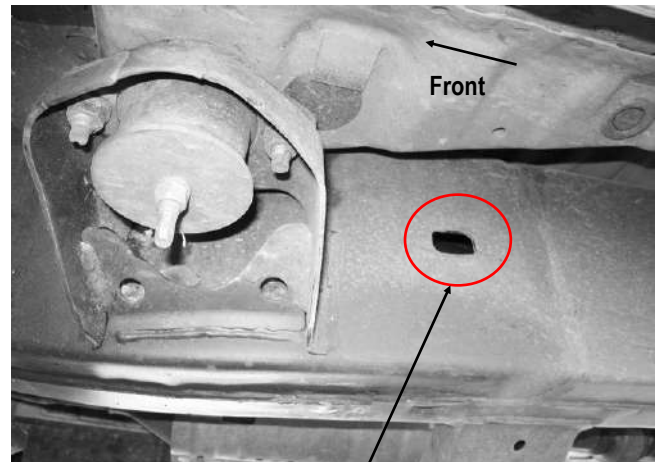


X8

M6 Flat Washer

## STEP 1

Start installation from the driver side front of the vehicle. Locate the factory rectangular hole on the inner side of the frame behind the front body mount, (Fig 1).



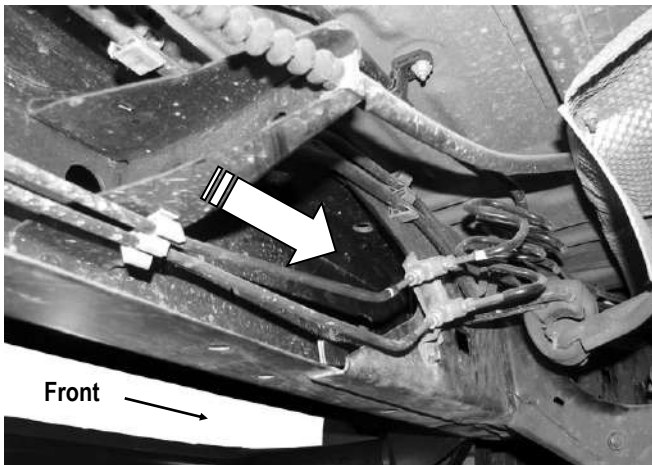
(Fig 1) Driver Side Front Mounting Location

# iBoard®

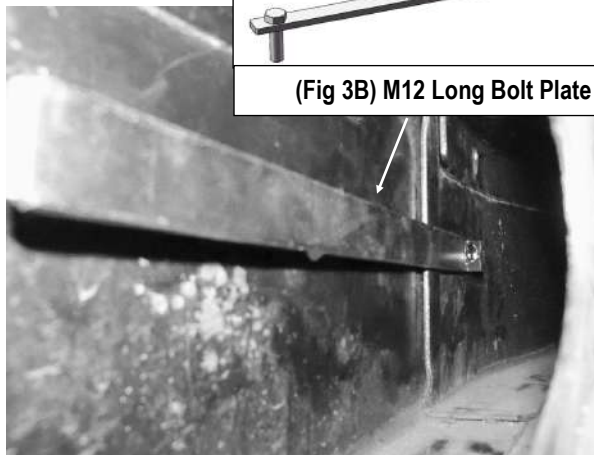
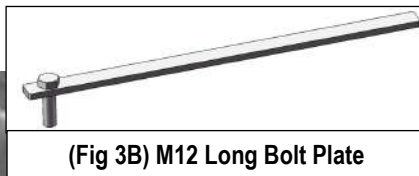
## STEP 2

Select the M12 Long Bolt Plate, **(Fig 3B)**. Insert the M12 welded bolt on the Bolt Plate into the rectangular hole on the frame through the opening end of the frame, **(Fig 2 & 3A)**.

**NOTE:** The **Long Bolt Plate** is for **driver** side front and the **Short Bolt Plate** is for **passenger** side front.



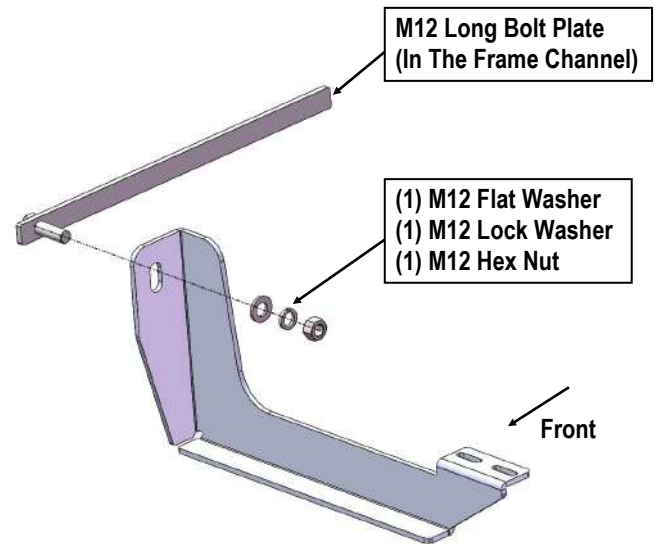
**(Fig 2)** The Opening End of the frame  
( Driver Side Front )



**(Fig 3A)** Inside View Of M12 Long Bolt Plate Installed  
(In Driver Side Frame Channel)

## STEP 3

Attach the Driver Front Mounting Bracket **(DFM)** to the installed M12 Long Bolt Plate with (1) M12 Flat Washer, (1) M12 Lock Washer and (1) M12 Hex Nut, **(Fig 4)**. Do not fully tighten hardware at this time.



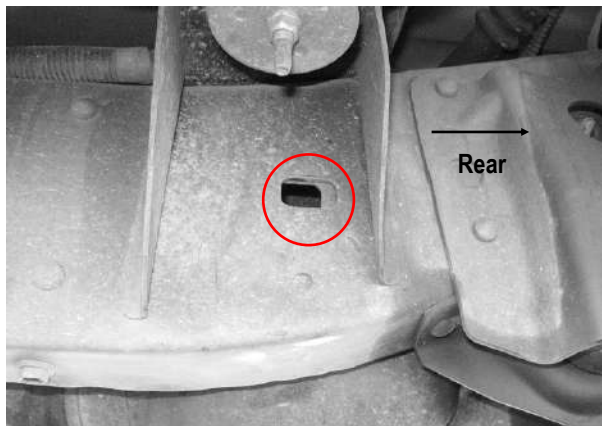
**(Fig 4)** Driver Front Mounting Bracket (DFM) Installation

## STEP 4

Move to the Driver Side Rear Mounting Location. Locate the factory rectangular on the frame below the rear body mount, **(Fig 5)**.

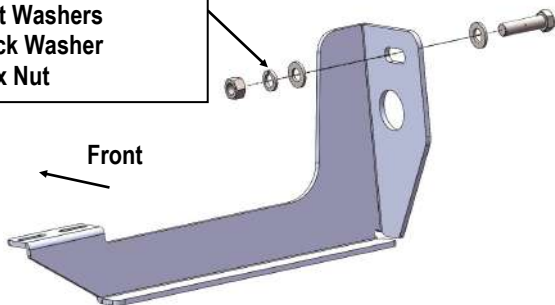
Select the Driver Rear Mounting Bracket **(DRM)**. Attach the Rear Mounting Bracket to the vehicle with (1) M12X1.75-45mm Hex Bolt, (2) M12 Flat Washer, (1) M12 Lock Washer and (1) M12 Hex Nut, **(Fig 6)**. Do not fully tighten hardware at this time.

# iBoard®



(Fig 5) Driver Side Rear Mounting Location

- (1) M12X1.75-45mm Hex Bolt
- (2) M12 Flat Washers
- (1) M12 Lock Washer
- (1) M12 Hex Nut



(Fig 6) Driver Rear Mounting Bracket (DRM) Installation

## STEP 5

Once all (2) mounting brackets are installed, then proceed to the Step Bar installation. According to the style of Step Bar proceed to the correct installation STEPS.

**Note:** Aluminum Step Bar refer to STEP 6; Stainless Steel Step Bar skip to STEP 7.

## STEP 6

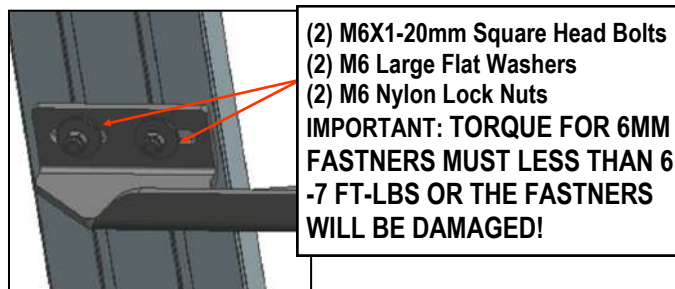
### Aluminum Step Bar Installation:

Select a **Aluminum Step Bar**. Slip (2) M6x1-20mm Square Head Bolts into each bottom channel (Fig 7). Carefully position the Step Bar onto the (2) Mounting Brackets.

**IMPORTANT:** Do not slide the Step Bar on the Brackets or the bottom surface of the board will be damaged. Attach the Step Bar to each Mounting Brackets with (2) M6x1-20mm Square Head Bolts, (2) M6 Large Flat Washers and (2) M6 Nylon Lock Nuts, (Fig 8). Do not fully tighten at this time. Level and adjust the Step Bar and fully tighten all hardware. Repeat **Steps 1-6** for the other side Step Bar installation. **The installation is completed!!!**



(Fig 7) Slip M6X1-20 Square Head Bolts Into The Bottom Channels



(Fig 8) Running Board Installed Onto Mounting Bracket

## STEP 7

### Stainless Steel Step Bar Installation:

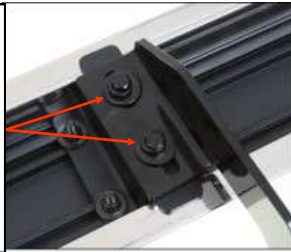
Select a **Stainless Steel Step Bar** (with the U-Sliders installed on the Bar). Loose the U-Sliders, reposition the U-Sliders onto the board according to the (2) Installed Mounting Brackets location, (Fig 9). Re-secure the U-Sliders on the Step Bar. Attach the Step Bar to the installed Mounting Brackets with (4) M6X1-20mm Hex Bolts, (4) M6 Large Flat Washers & (4) M6 Lock Washers, (Fig 10). Do not fully tighten hardware at this time. Level and adjust the Step Bar and fully tighten all hardware. Repeat **Steps 1-5 and 7** for the other side Step Bar installation. **The installation is completed!!!**

# iBoard®



(Fig 9) Slide & line up the U-Slider with the installed mounting brackets along bottom channel

(2) M6X1-20mm Hex Bolts  
(2) M6 Large Flat Washers  
(2) M6 Lock Washers  
**IMPORTANT: TORQUE FOR 6MM FASTNERS MUST LESS THAN 6-7 FT-LBS OR THE FASTNERS WILL BE DAMAGED!**



(Fig 10) Step Bar Installed on Bracket Installed (Example)

## Attention

Do periodic inspections to the installation to make sure that all hardware is secure and tight.

In order to protect your bars/boards, please use only mild soap/non-abrasive products for cleaning.