



Scan for
Installation Video

iBoard® by APS

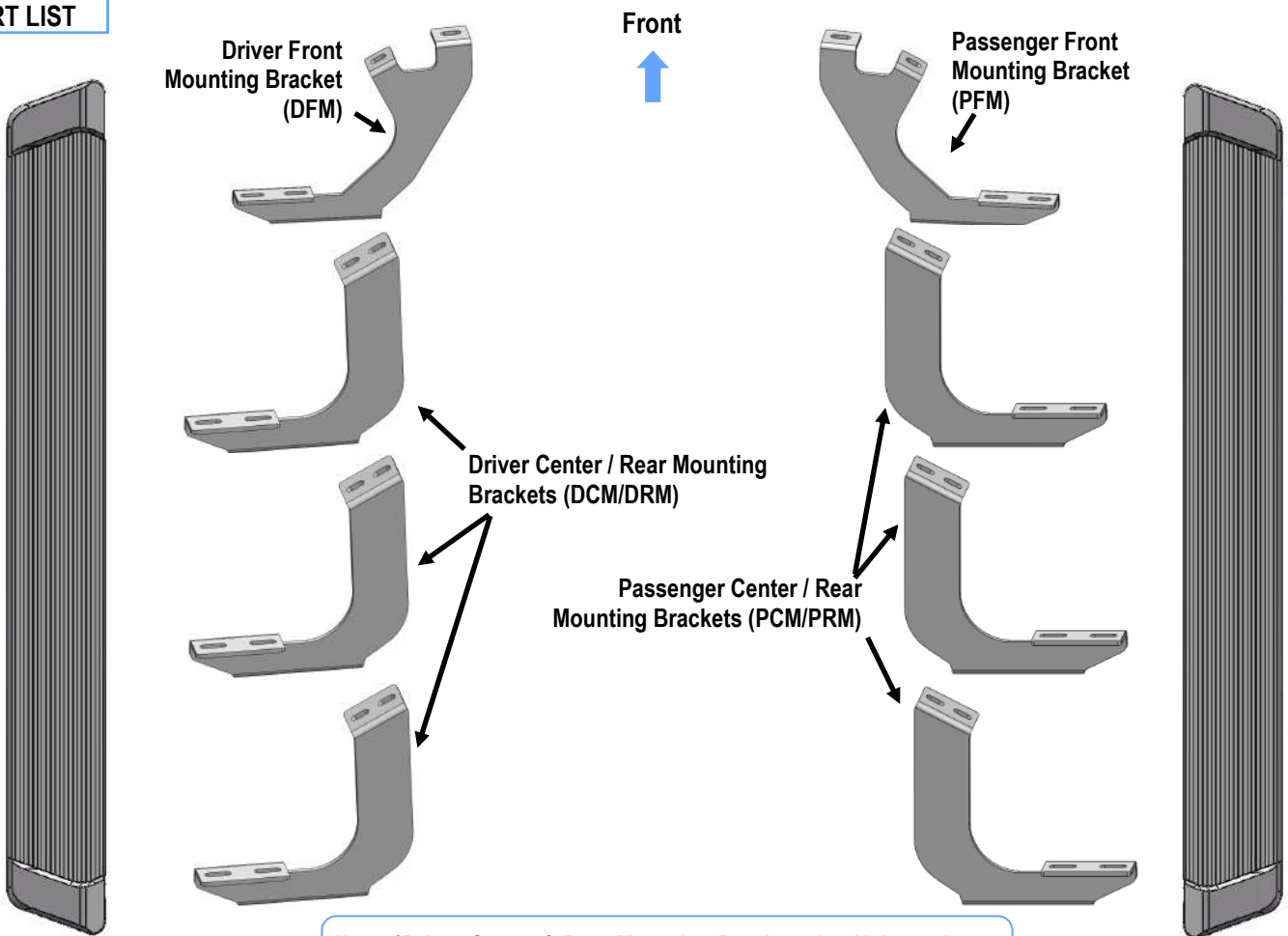
PART#: IB-R297/R298

READ INSTRUCTIONS CAREFULLY BEFORE STARTING INSTALLATION. REMOVE CONTENTS FROM BOX AND VERIFY ALL PARTS ARE PRESENT. ASSISTANCE IS RECOMMENDED.

***ROCKER PANEL MOUNT
*NO DRILLING REQUIRED**

Fastener Size	Tightening Torque (ft-lbs)	Required
6mm	6-7	√
8mm	16-18	√
10mm	31-32	X
12mm	56-58	X
14mm	92-94	X

PART LIST



**Note: *Driver Center & Rear Mounting Brackets Are Universal
*Passenger Center & Rear Mounting Brackets Are Universal**

Customer Support: info@iboardauto.com



Hardware Package A (For Bucket Installation)

Item	QTY	Description	Item	QTY	Description
1#	16	M8X1.25-25mm Hex Bolts	3#	16	M8 Lock Washers
2#	16	M8 Large Flat Washers			



1#



2#



3#

Hardware Package B (For Step Bar Installation)

Item	QTY	Description	Item	QTY	Description
1#	16	M6X1-20mm Square Head Bolts	3#	16	M6X1 Nylon Lock Nuts
2#	16	M6 Large Flat Washers			



1#



2#

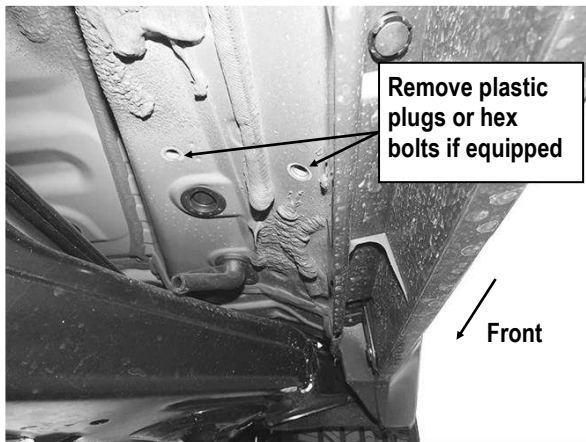


3#



STEP 1

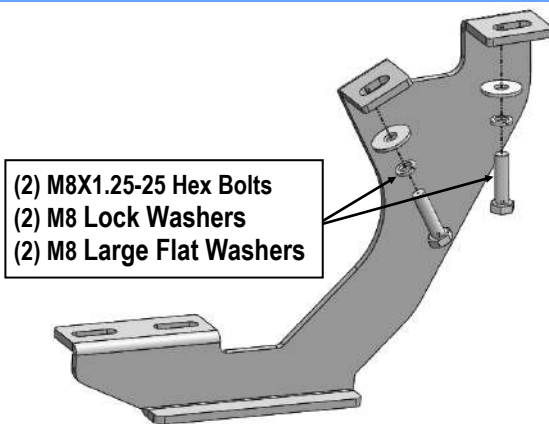
Starting on the passenger side front of the vehicle. Remove the plastic plugs or hex bolts from the mounting location if equipped, (Fig 1).



(Fig 1) Passenger Side Front Mounting Location

STEP 2

Select the Passenger Front Mounting Bracket (PFM). Attach the Bracket to the mounting location with (2) M8X1.25-25 Hex Bolts, (2) M8 Lock Washers and (2) M8 Large Flat Washers, (Fig 2&3). Do not fully tighten at this time.



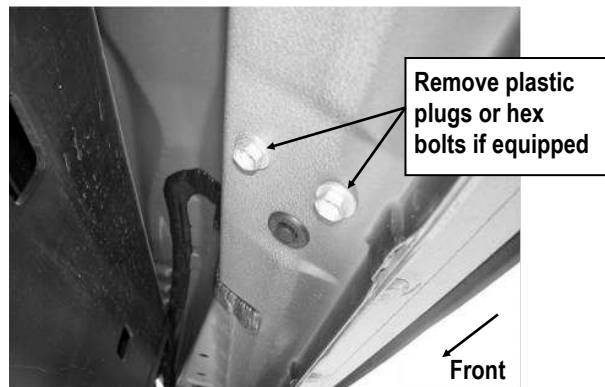
(Fig 2) Passenger Front Mounting Brackets Installation



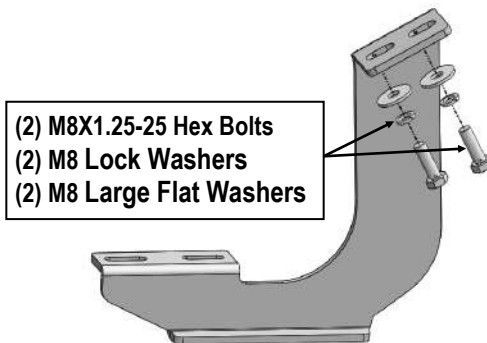
(Fig 3) Passenger Front Mounting Brackets Installed

STEP 3

Repeat **Steps 1-2** to attach the (3) Passenger Center / Rear Mounting Brackets (PCM/PRM), (Fig 4&5). Do not fully tighten at this time.



(Fig 4) Passenger Side Center/ Rear Mounting Location



(Fig 5) Passenger Center/Rear Mounting Brackets Installation



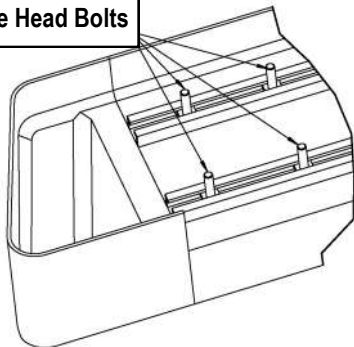
STEP 4

Once all (4) mounting brackets are installed. Select a Running Board. Slip (4) M6X1-20mm Square Head Bolts into each bottom channel (**Fig 6**). Carefully position the Running Board onto the (4) Mounting Brackets. Attach the Running Board to each Mounting Bracket with (2) M6X1-20mm Square Head Bolts, (2) M6 Large Flat Washers and (2) M6 Nylon Lock Nuts (**Fig 7**). Do not fully tighten at this time.

IMPORTANT: Do not slide the Running Board on the Brackets or the bottom surface of the board will be damaged.

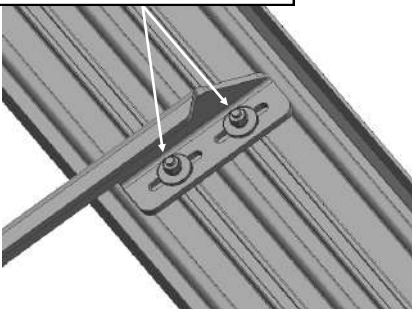
Level and adjust the Running Board and fully tighten all hardware.

M6X1-20mm Square Head Bolts



(Fig 6) Slip M6X1-20mm Square Head Bolts Into The Bottom Channels

(2) M6X1-20mm Square Head Bolts
(2) M6 Large Flat Washers
(2) M6 Nylon Lock Nuts



(Fig 7) Running Board Installed Onto Mounting Bracket

STEP 5

Repeat **Steps 1-4** for the other side Running Board installation. The installation is completed.

Attention

Do periodic inspections to the installation to make sure that all hardware is secure and tight.

In order to protect your bars/boards, please use mild soap/non-abrasive products for cleaning only.