

iBoard®

iBoard® by APS

PART#: IB-097[L,S]-A-B

READ INSTRUCTIONS CAREFULLY BEFORE STARTING INSTALLATION. REMOVE CONTENTS FROM BOX AND VERIFY ALL PARTS ARE PRESENT. ASSISTANCE IS RECOMMENDED.

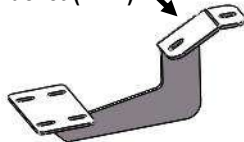
***ROCKER PANEL MOUNT
*NO DRILLING REQUIRED**

| Fastener Size | Tightening Torque (ft-lbs) |
|---------------|----------------------------|
| 6mm | 6-7 |
| 8mm | 16-18 |
| 10mm | 31-32 |
| 12mm | 56-58 |
| 14mm | 92-94 |

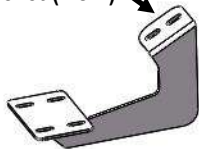
PART LIST



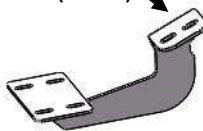
Driver Front Mounting Bracket (DFM)



Driver Center Mounting Bracket (DCM)



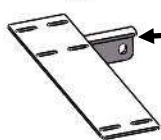
Driver Center Mounting Bracket 1 (DCM1)



Driver Rear Mounting Bracket (DRM)



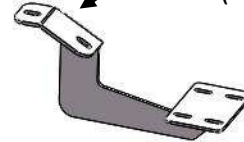
Driver Rear Bar Bracket (DRB)



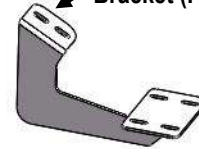
Front



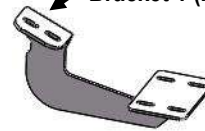
Passenger Front Mounting Bracket (PFM)



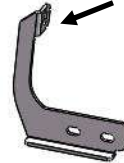
Passenger Center Mounting Bracket (PCM)



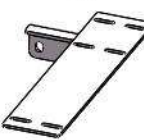
Passenger Center Mounting Bracket 1 (PCM1)



Passenger Rear Mounting Bracket (PRM)



Passenger Rear Bar Bracket (PRB)



Customer Support: info@iboardauto.com

iBoard®



STEP 1

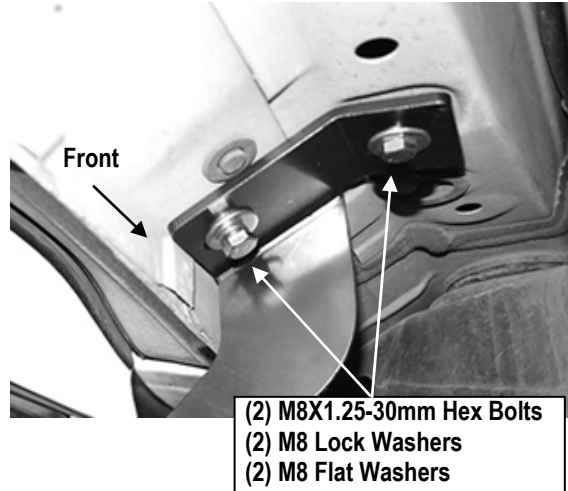
Start the installation from the driver side of the vehicle, remove the existing (2) factory bolts, (or plastic plugs), on the side panel located by the front tire opening, (**Fig 1**). This will be the mounting location for the driver side front Mounting Bracket.



(Fig 1) Driver Side Front Mounting Location

STEP 2

Select the Driver Front Mounting Bracket (**DFM**). Attach the Bracket to the vehicle using the included (2) M8X1.25-30mm Hex Bolts, (2) M8 Lock Washers and (2) M8 Flat Washers. Don't fully tighten at this time, (**Fig 2**).

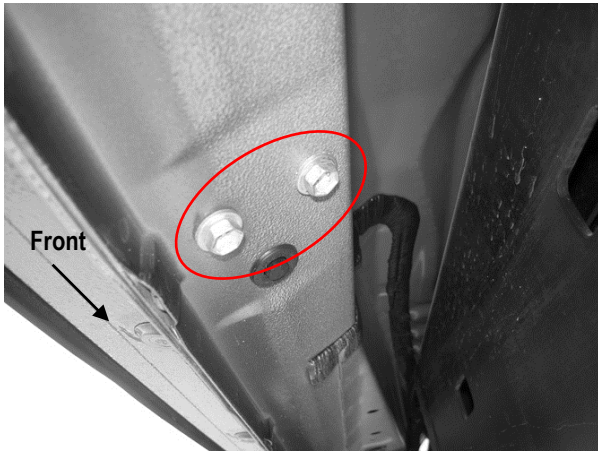


(Fig 2) Driver Front Mounting Bracket Installed

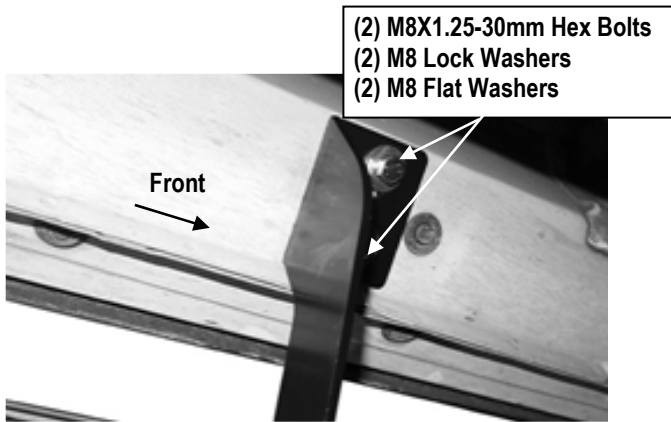
STEP 3

Move along the side panel to the driver side center mounting location, (**Fig 3**). Repeat **Steps 1-2** to install the Driver Center Mounting Bracket (**DCM**), (**Fig 4**).

iBoard®



(Fig 3) Driver Side Center Mounting Location

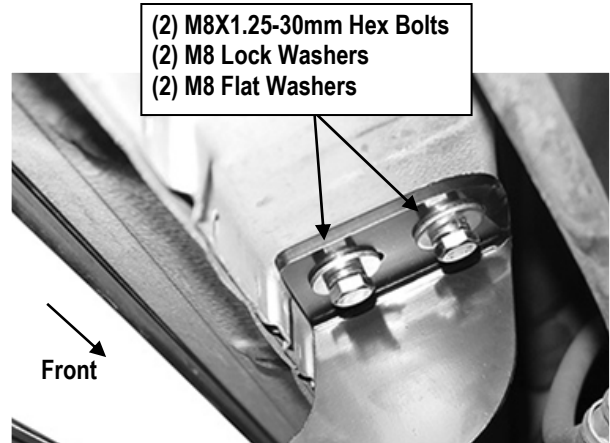


(Fig 4) Driver Center Mounting Bracket Installed

STEP 4

Next, move to the 4th mounting location at the back of the cab. Repeat **Steps 1-2** to install the Driver Center Mounting Bracket 1 (DCM1), (Fig 5).

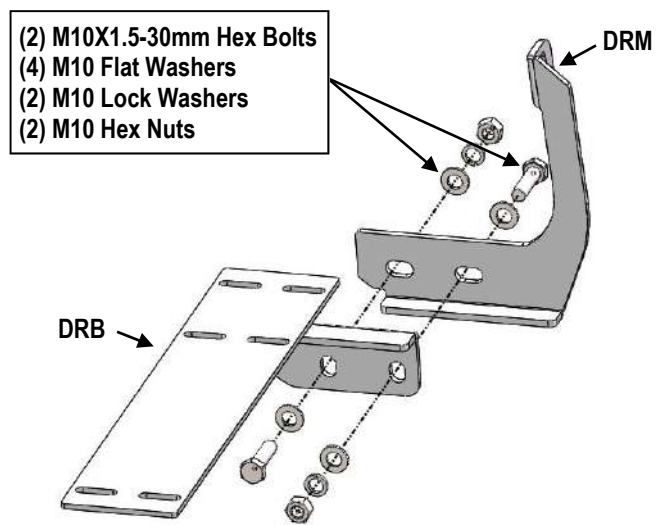
IMPORTANT: There are (4) mounting locations along the side of the vehicle. Installation will use the 1st, 2nd and 4th mounting locations only.



(Fig 5) Driver Center Mounting Bracket 1 Installed

STEP 5

Assemble (1) Driver Rear Mounting Bracket (**DRM**) and (1) Driver Rear Bar Bracket (**DRB**) with (2) M10X1.5-30mm Hex Bolts, (2) M10 Lock Washers, (4) M10 Flat Washers and (2) M10 Hex Nuts, (Fig 6). Do not fully tighten hardware at this time.



(Fig 6) Driver Rear Brackets Assembly

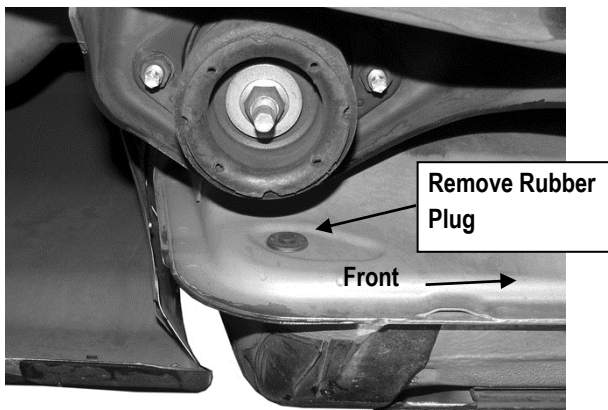
iBoard®

STEP 6

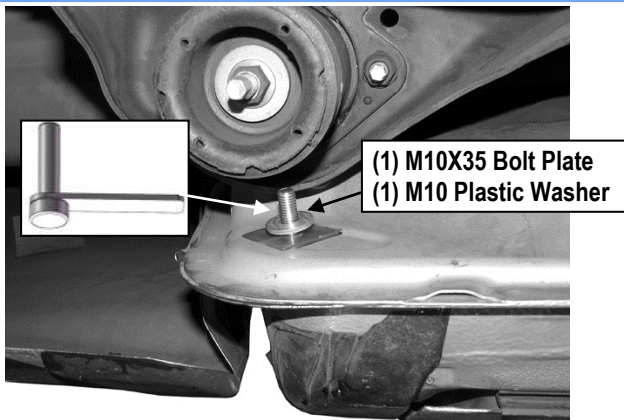
Move to the very end of the cab. Locate and remove the rubber plug in the side of the inner body panel, (Fig 7). Select (1) M10X35 Bolt Plate and (1) M10 Plastic Washer, insert the Bolt Plate into the hole and thread the Plastic Washer down onto the Bolt Plate until it is tight against the body panel, (Fig 8).

NOTE: The Plastic Washer is designed to prevent the Bolt Plate from falling into the body panel and to aid Support Bracket installation.

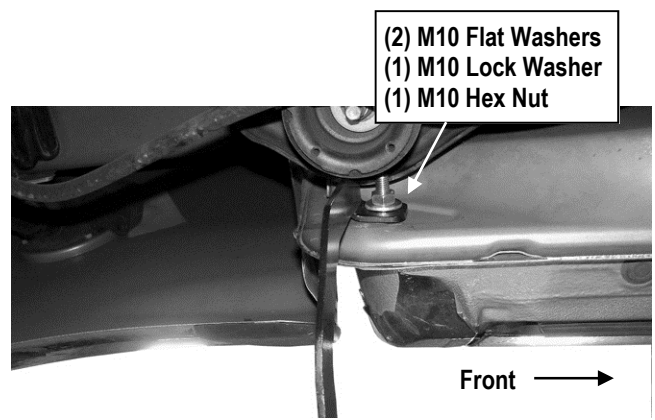
Select (1) M10 Flat Washer and slide it onto the threaded end of the Bolt Plate over the Plastic Washer, (Fig 9). Next, secure the assembled driver rear bracket to the Bolt Plate with (1) M10 Flat Washer, (1) M10 Lock Washer and (1) M10 Hex Nut, (Fig 9). Do not fully tighten hardware at this time.



(Fig 7) Driver Side Rear Mounting Location



(Fig 8) Insert The M10X35 Bolt Plate



(Fig 9) Driver Rear Mounting Bracket Installed

STEP 7

Select a Running Board. Slip (9) M6x1-20mm Square Head Bolts into each bottom channel, (Fig 10). Carefully position the Running Board onto the (4) Mounting Brackets. **IMPORTANT:** Do not slide the Running Board on the Brackets or the bottom surface of the board will be damaged.

Attach the Running Board to each Mounting Bracket with (4) M6x1-20mm Square Head Bolts, (4) M6 Large Flat Washers and (4) M6 Nylon Lock Nuts, (Fig 11). Do not fully tighten the hardware at this time.

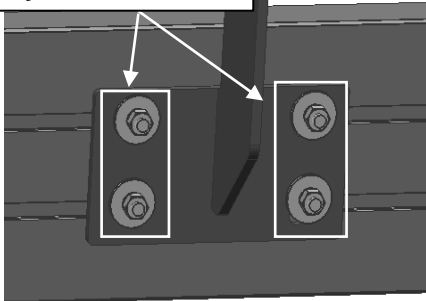
Attach the Running Board to the Rear Bar Bracket with (6) M6x1-20mm Square Head Bolts, (6) M6 Large Flat Washers and (6) M6 Nylon Lock Nuts (Fig 12). Do not fully tighten the hardware at this time.



(Fig 10) Slip M6X1-20mm Square Head Bolts into the bottom channel

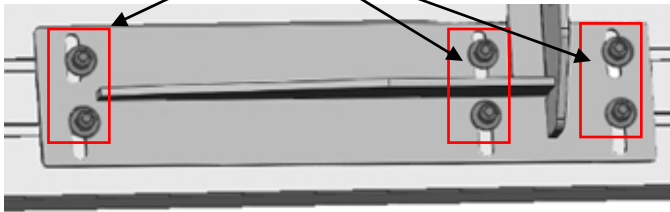
iBoard®

- (4) M6X1-20 Square Head Bolts
- (4) M6 Large Flat Washers
- (4) M6X1 Nylon Lock Nuts



(Fig 11) Running Board Installed Onto Front And Center Mounting Brackets

- (6) M6X1-20 Square Head Bolts
- (6) M6 Large Flat Washers
- (6) M6 Nylon Lock Nuts



(Fig 12) Running Board Installed Onto Rear Bar Bracket

STEP 8

Level and adjust the Running Board as necessary and fully tighten all hardware.

STEP 9

Repeat **Steps 1-8** for the other side Running Board installation. The installation is completed.

Attention

Do periodic inspections to the installation to make sure that all hardware is secure and tight.

In order to protect your bars/boards, please use only mild soap/non-abrasive products for cleaning.