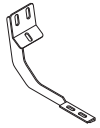
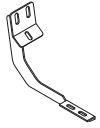
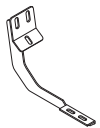
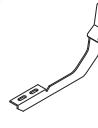
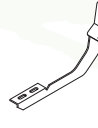
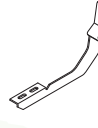
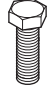



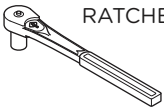
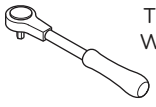



BRACKET KIT INSTALLATION

SKU# RB-0700-BK



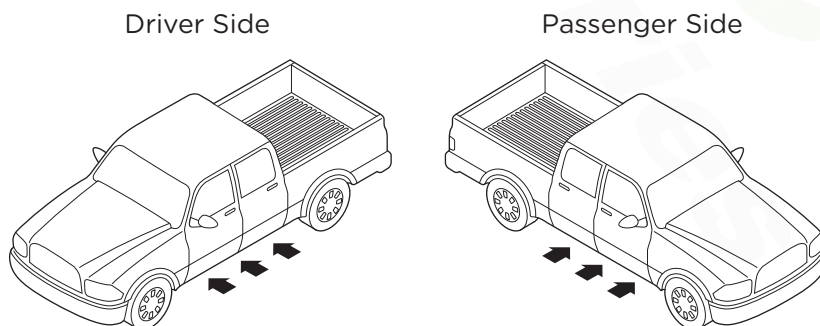
COMPONENTS		HARDWARE	
DRIVER SIDE  Qty: 1 Front Bracket  Qty: 1 Center Bracket  Qty: 1 Rear Bracket	PASSENGER SIDE  Qty: 1 Front Bracket  Qty: 1 Center Bracket  Qty: 1 Rear Bracket	 Qty: 12 M8 x 30MM Hex Head Bolt  Qty: 24 M8 Flat Washers	 Qty: 24 M8 Lock Washers  Qty: 6 M8 Flange Nut
TOOLS REQUIRED		INSTALLATION NOTES	
 RATCHET  TORQUE WRENCH  14MM SOCKET	<p>TORQUE NOTE: Bolts and nuts should be torqued to 15-20 ft lbs.</p> <p>NOTE: Hardware for Board Installation is included.</p> <p>NOTE: Some spare hardware is included.</p>		

Remove all contents from the package and check brackets for any damage. Also, verify that all components and hardware listed above are included before you begin installation. If anything is missing or damaged please contact us at customerservice@raptorseries.com

Read through entire installation manual and installation drawings to ensure that you understand all of the components and hardware before proceeding with installation.

NOTE: When installing the brackets, all hardware must be left loose until all of the items are attached.

Locate factory hole locations in three (3) places per side on the body mount.

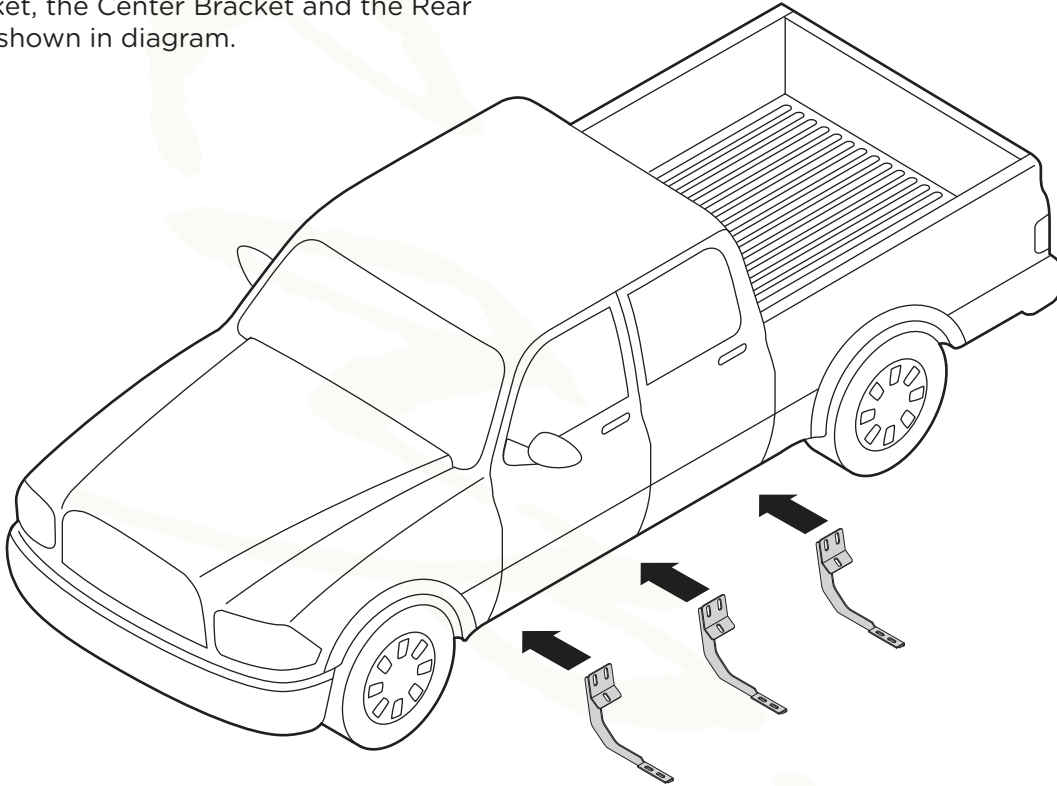


BRACKET ORIENTATION

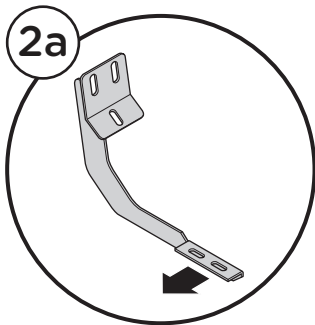
DRIVER SIDE

Raptor
Series

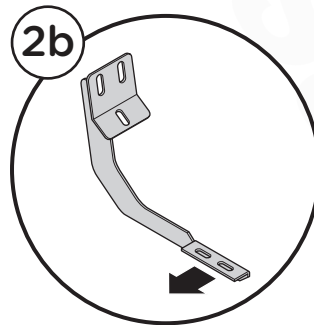
1. Begin installation on driver side. Position the Front Bracket, the Center Bracket and the Rear Bracket as shown in diagram.



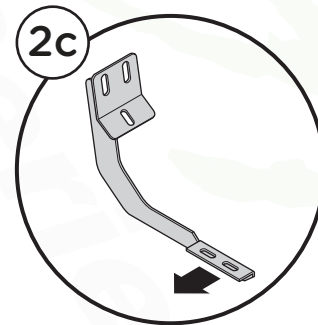
2. Driver Side Front Bracket cradle (2a), Driver Side Center Bracket cradle (2b) and Driver Side Rear Bracket cradle (2c) will face toward the front of the truck.



Driver Side
Front Bracket



Driver Side
Center Bracket



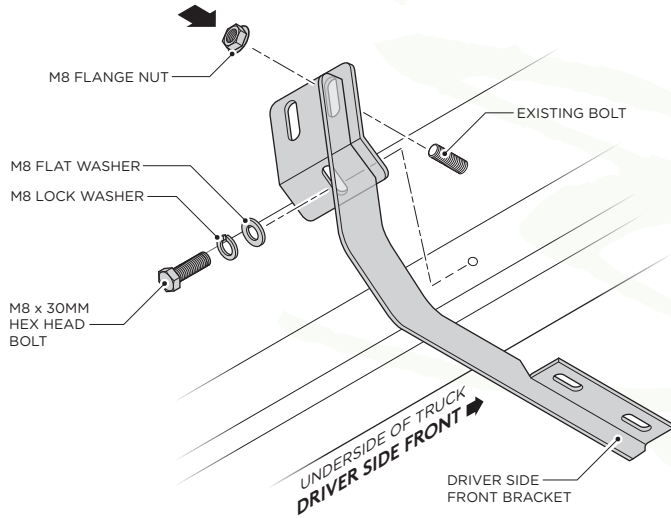
Driver Side
Rear Bracket

BRACKET INSTALLATION

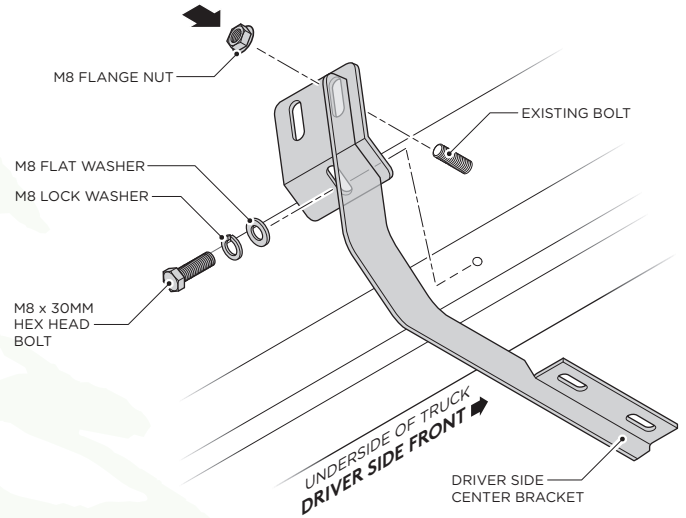
DRIVER SIDE

Raptor
Series

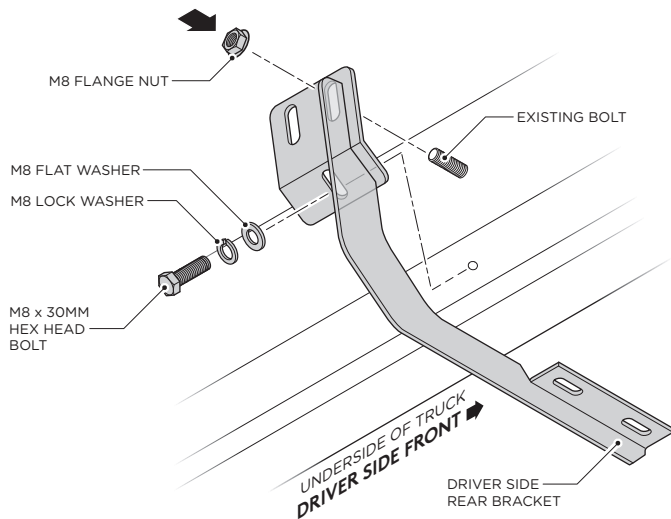
- 3.** Fasten the top portion of the Driver Side Front Bracket by using (1) M8 Flange Nut. Fasten the lower portion of the Driver Side Front Bracket by using (1) M8 x 30MM Hex Head Bolt, (1) M8 Lock Washer and (1) M8 Flat Head Washer.



- 4.** Fasten the top portion of the Driver Side Center Bracket by using (1) M8 Flange Nut. Fasten the lower portion of the Driver Side Center Bracket by using (1) M8 x 30MM Hex Head Bolt, (1) M8 Lock Washer and (1) M8 Flat Head Washer.



- 5.** Fasten the top portion of the Driver Side Rear Bracket by using (1) M8 Flange Nut. Fasten the lower portion of the Driver Side Rear Bracket by using (1) M8 x 30MM Hex Head Bolt, (1) M8 Lock Washer and (1) M8 Flat Head Washer.

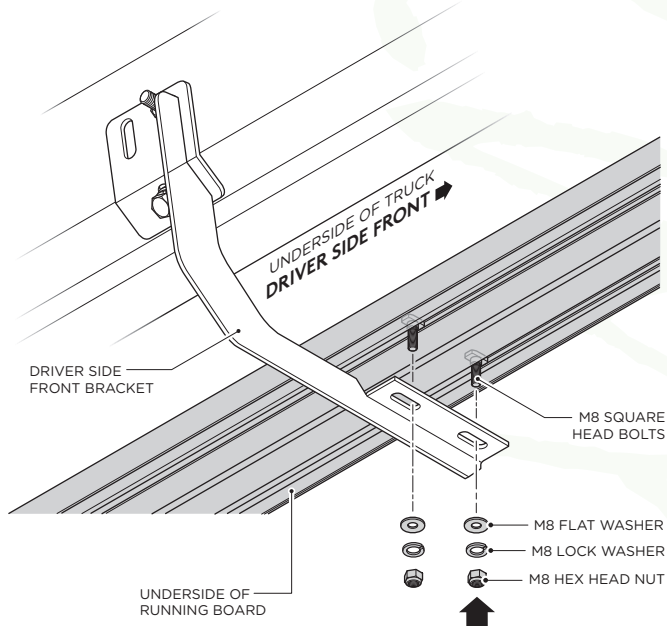


RUNNING BOARD INSTALLATION

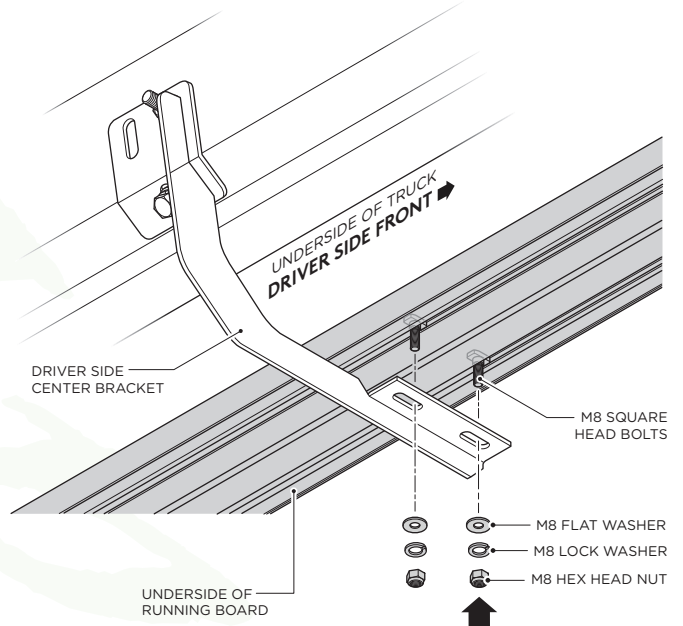
DRIVER SIDE

Raptor
Series

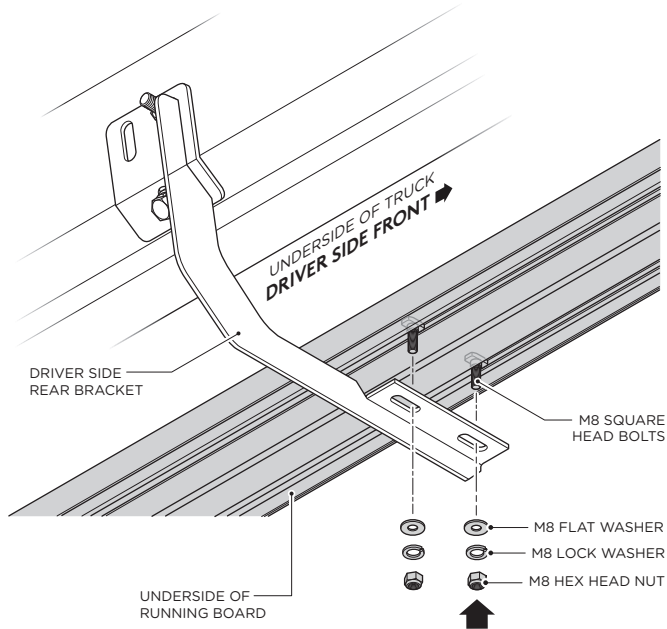
- 6.** Fasten the Running Board to the Driver Side Front Bracket cradle by using (2) M8 Flat Washers, (2) M8 Lock Washers and (2) M8 Hex Head Nuts.



- 7.** Fasten the Running Board to the Driver Side Center Bracket cradle by using (2) M8 Flat Washers, (2) M8 Lock Washers and (2) M8 Hex Head Nuts.



- 8.** Fasten the Running Board to the Driver Side Rear Bracket cradle by using (2) M8 Flat Washers, (2) M8 Lock Washers and (2) M8 Hex Head Nuts.

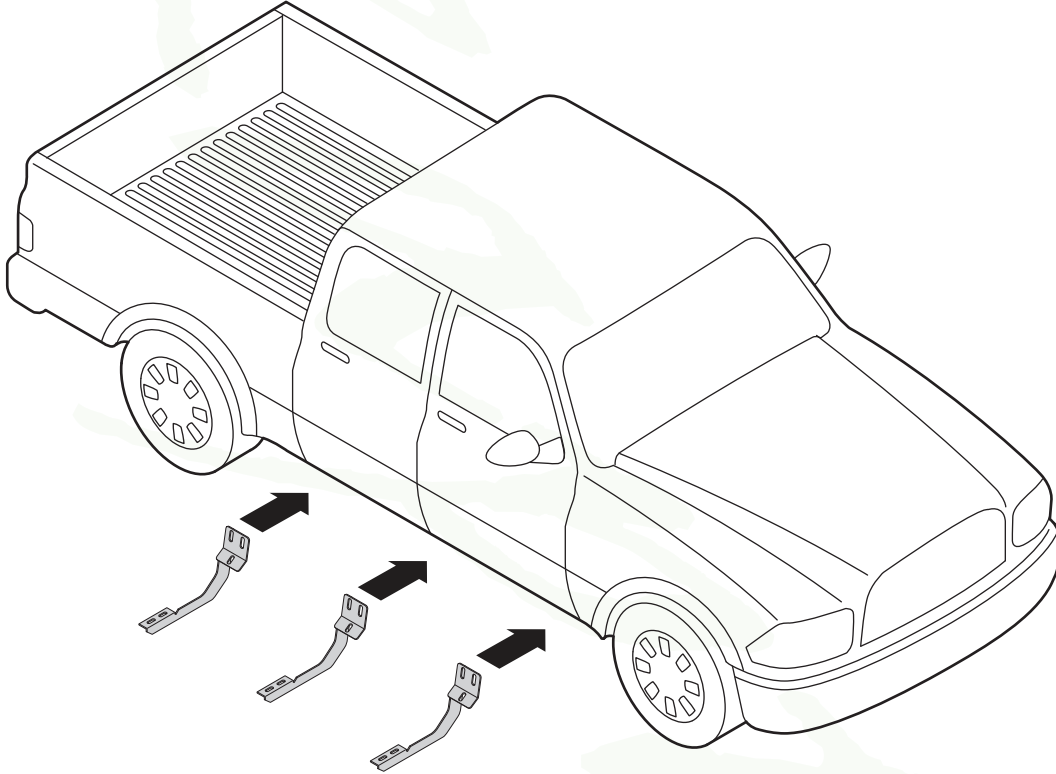


BRACKET ORIENTATION

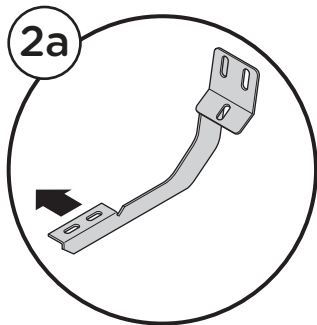
PASSENGER SIDE

Raptor
Series

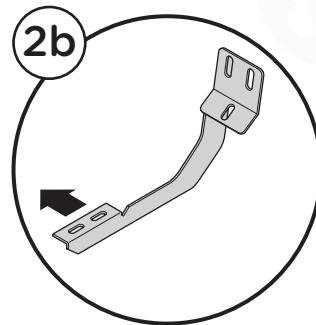
1. Begin installation on passenger side. Position the Front Bracket, the Center Bracket and the Rear Bracket as shown in diagram.



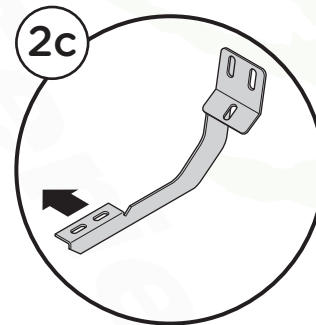
2. Passenger Side Front Bracket cradle (2a), Passenger Side Center Bracket cradle(2b) and Passenger Side Rear Bracket cradle (2c) will face toward the rear of the truck.



Passenger Side
Front Bracket



Passenger Side
Center Bracket



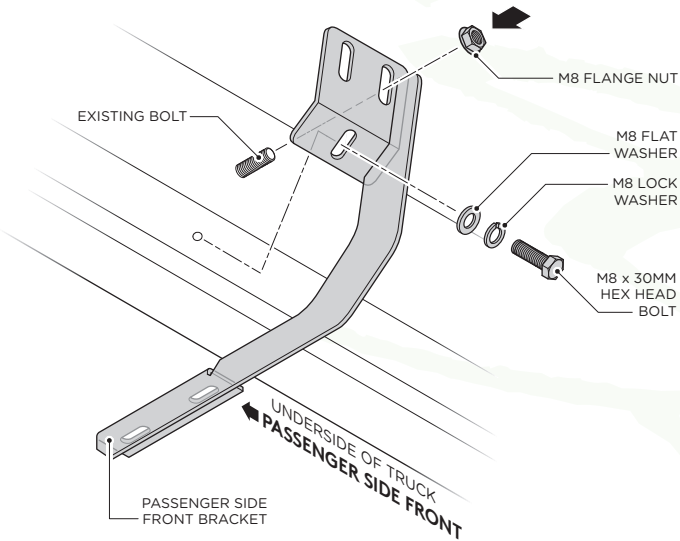
Passenger Side
Rear Bracket

BRACKET INSTALLATION

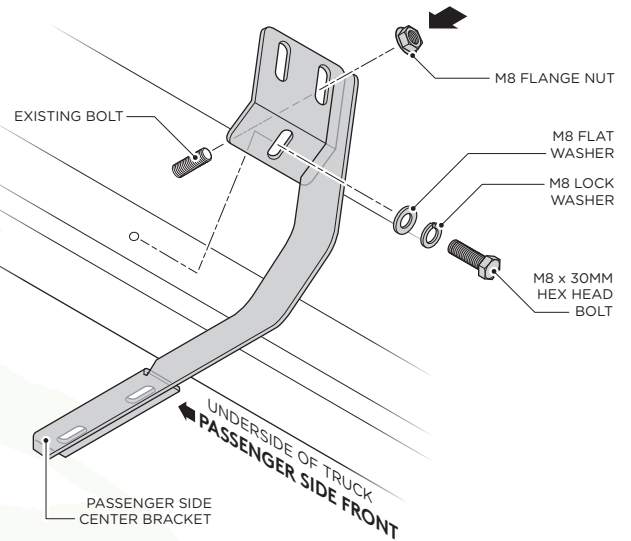
PASSENGER SIDE

Raptor
Series

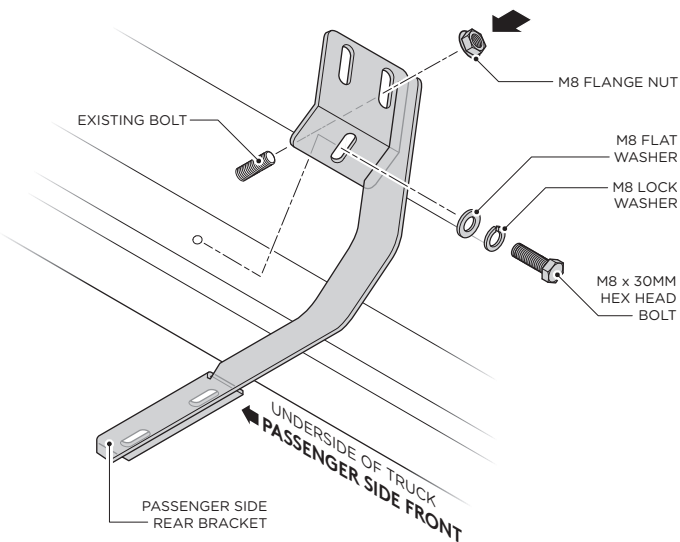
3. Fasten the top portion of the Passenger Side Front Bracket by using (1) M8 Flange Nut. Fasten the lower portion of the Passenger Side Front Bracket by using (1) M8 x 30MM Hex Head Bolt, (1) M8 Lock Washer and (1) M8 Flat Head Washer.



4. Fasten the top portion of the Passenger Side Center Bracket by using (1) M8 Flange Nut. Fasten the lower portion of the Passenger Side Center Bracket by using (1) M8 x 30MM Hex Head Bolt, (1) M8 Lock Washer and (1) M8 Flat Head Washer.



5. Fasten the top portion of the Passenger Side Rear Bracket by using (1) M8 Flange Nut. Fasten the lower portion of the Passenger Side Rear Bracket by using (1) M8 x 30MM Hex Head Bolt, (1) M8 Lock Washer and (1) M8 Flat Head Washer.

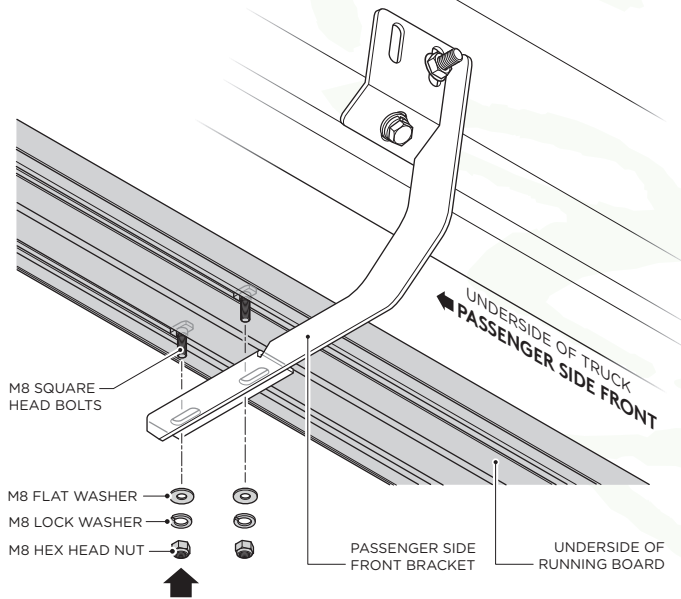


RUNNING BOARD INSTALLATION

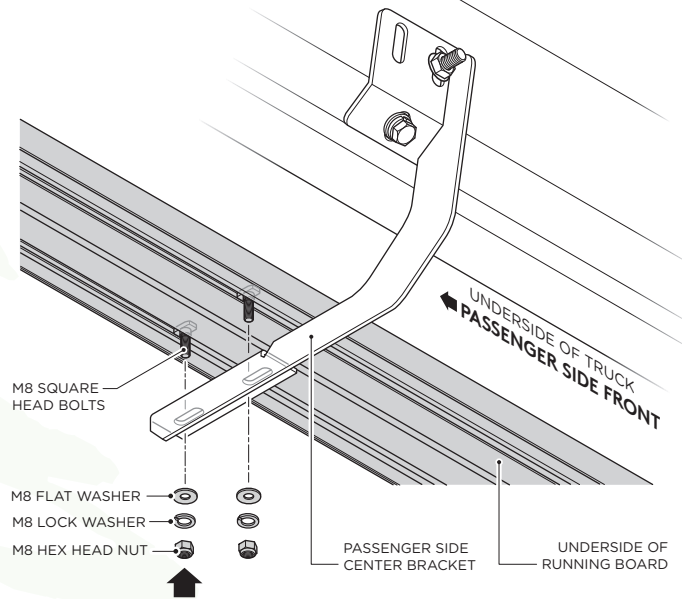
PASSENGER SIDE



- 6.** Fasten the Running Board to the Passenger Side Front Bracket cradle by using (2) M8 Flat Washers, (2) M8 Lock Washers and (2) M8 Hex Head Nuts.



- 7.** Fasten the Running Board to the Passenger Side Center Bracket cradle by using (2) M8 Flat Washers, (2) M8 Lock Washers and (2) M8 Hex Head Nuts.



- 8.** Fasten the Running Board to the Passenger Side Rear Bracket cradle by using (2) M8 Flat Washers, (2) M8 Lock Washers and (2) M8 Hex Head Nuts.

