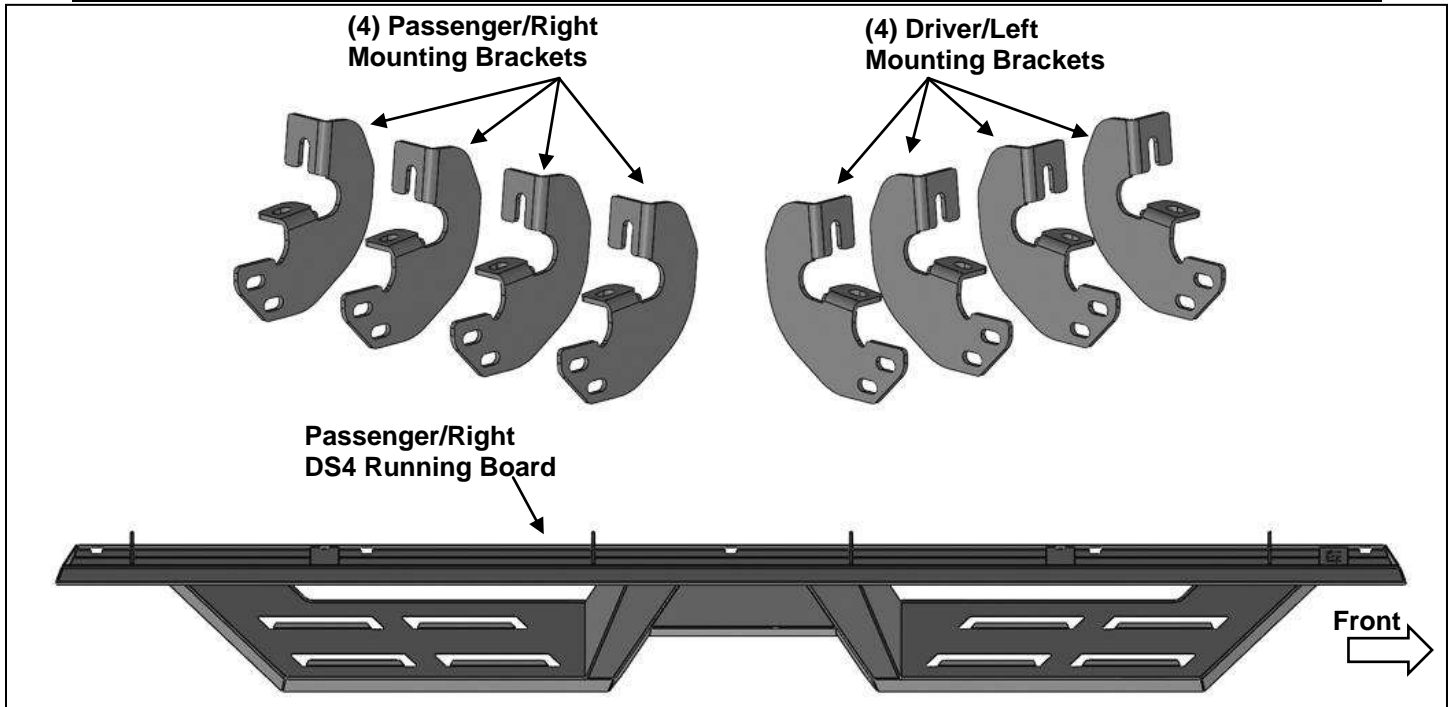


PARTS LIST:

1	Driver/Left DS4 Running Board	16	10mm Nylon Lock Nuts
1	Passenger/Right DS4 Running Board	16	8mm x 30mm Hex Bolts
4	Driver/Left Mounting Brackets	16	8mm Lock Washers
4	Passenger/Right Mounting Brackets	16	8mm x 24mm OD x 2mm Flat Washers
16	10mm x 30mm Hex Bolts	16	8mm Clip Nuts
32	10mm x 20mm OD x 2mm Flat Washers		



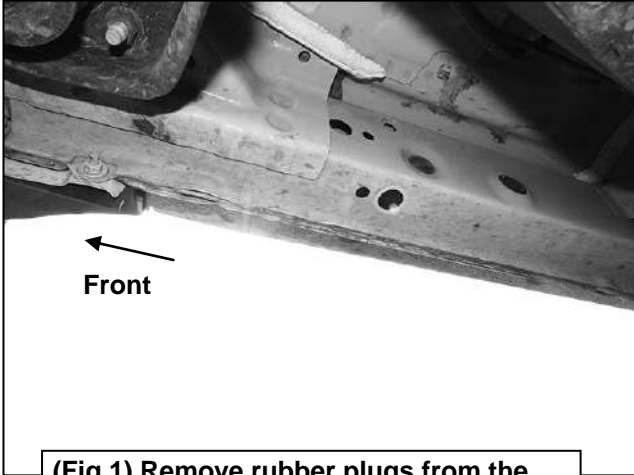
PROCEDURE:

REMOVE CONTENTS FROM BOX. VERIFY ALL PARTS ARE PRESENT. READ INSTRUCTIONS CAREFULLY BEFORE STARTING INSTALLATION. ASSISTANCE IS RECOMMENDED.

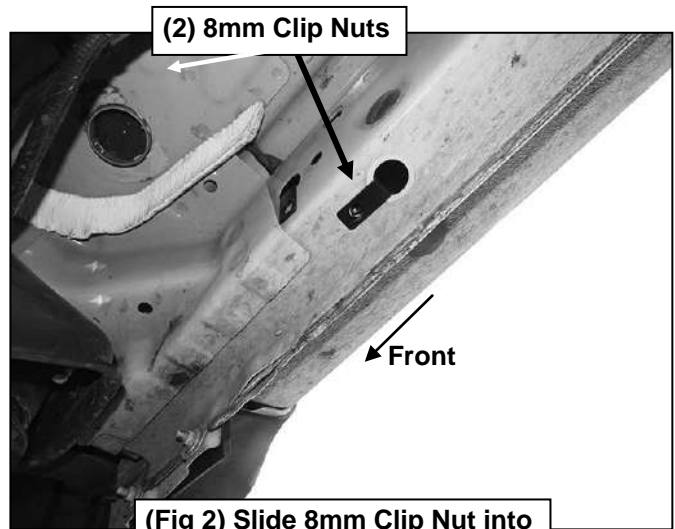
1. Start the installation under the Passenger/Right side of the vehicle. Locate the front mounting location along the bottom and inner side of the body panel, **(Figure 1)**. **NOTE:** It may help to hold a Bracket up in place to help determine the mounting holes to use along the bottom and inner side of the body.
2. Remove rubber plugs from the front location. Select (2) 8mm Clip Nuts. Slide each Clip Nut into the large hole and over the smaller hole next to it. Line up threaded nut on the Clip Nut with smaller hole in body panel, **(Figure 2)**.
3. Select (1) Passenger/Right Mounting Bracket. Attach the Bracket to the (2) Clip Nuts in the vehicle with (2) 8mm Hex Bolts, (2) 8mm Lock Washers and (2) 8mm Flat Washers, **(Figure 3)**. Do not tighten hardware.
4. Repeat **Steps 1—3** to attach the remaining (3) Passenger/Right Mounting Brackets, **(Figures 3—5)**. Do not tighten hardware.
5. Select the Passenger/Right DS4 Running Board. Attach the Running Board to the rear faces of the Mounting Brackets with (8) 10mm Hex Bolts, (16) 10mm Flat Washers and (8) 10mm Nylon Lock Nuts, **(Figure 6)**. Do not tighten hardware.
6. Repeat **Steps 1—5** to attach the Driver/Left DS4 Running Board.
7. Do periodic inspections to the installation to make sure that all hardware is secure and tight.

To protect your investment, Do not use any type of polish or wax that may contain abrasives that could damage the finish. Mild soap may be used to clean the Running Boards.

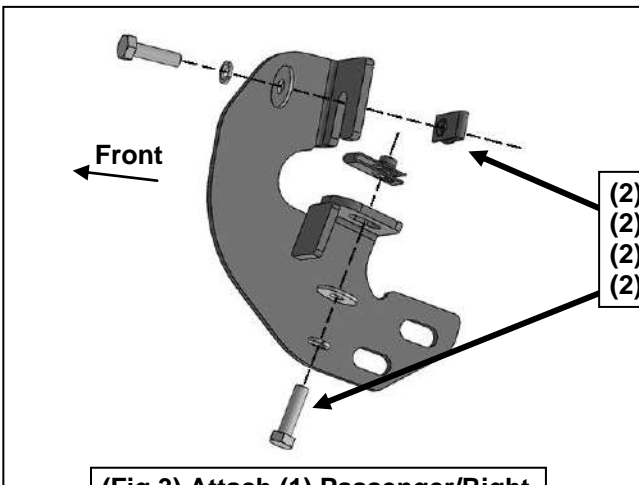
Passenger/Right Side Installation Pictured



(Fig 1) Remove rubber plugs from the Passenger/Right front mounting location



(Fig 2) Slide 8mm Clip Nut into large hole and over small hole



(Fig 3) Attach (1) Passenger/Right Mounting Bracket to the Clip Nuts

- (2) 8mm Hex Bolts
- (2) 8mm Lock Washers
- (2) 8mm Flat Washers
- (2) 8mm Clip Nuts

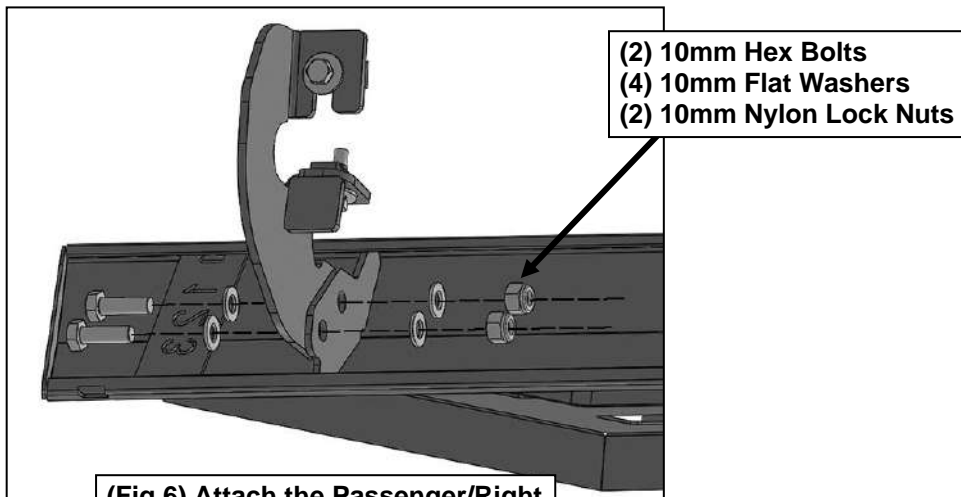
Passenger/Right Side Installation Pictured



(Fig 4) Remove rubber plugs from the Passenger/Right center mounting location



(Fig 5) Remove rubber plugs from the Passenger/Right rear mounting location



- (2) 10mm Hex Bolts
- (4) 10mm Flat Washers
- (2) 10mm Nylon Lock Nuts

(Fig 6) Attach the Passenger/Right Running Board to the rear faces of the Mounting Brackets